

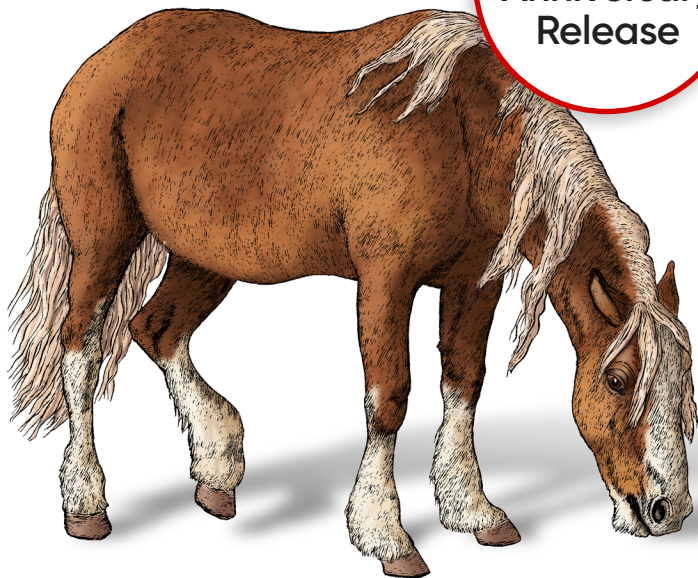
O'REILLY®

Fourth  
Edition

# Linux Pocket Guide

Essential Commands

20th  
Anniversary  
Release



Daniel J. Barrett

## Linux Pocket Guide

If you use Linux in your day-to-day work, then *Linux Pocket Guide* is the perfect on-the-job reference. This thoroughly updated 20th anniversary edition explains more than 200 Linux commands, including new commands for file handling, package management, version control, file format conversions, and more.

In this concise guide, author Daniel Barrett provides the most useful Linux commands grouped by functionality. Whether you're a novice or an experienced user, this practical book is an ideal reference for the most important Linux commands.

**You'll learn:**

- **Essential concepts**—commands, shells, users, and the filesystem
- **File commands**—creating, organizing, manipulating, and processing files of all kinds
- **Sysadmin basics**—superusers, processes, user management, and software installation
- **Filesystem maintenance**—disks, RAID, logical volumes, backups, and more
- **Networking commands**—working with hosts, network connections, email, and the web
- **Getting stuff done**—everything from math to version control to graphics and audio

---

LINUX

[linkedin.com/company/oreilly-media](https://linkedin.com/company/oreilly-media)  
[youtube.com/oreillymedia](https://youtube.com/oreillymedia)

US \$29.99    CAN \$37.99

ISBN: 978-1-098-15796-8



## *Praise for Linux Pocket Guide*

*Linux Pocket Guide* is a must-have book on every Linux user's desk, even in this digital age. It's like a collection of my favorite bookmarked manual pages that I keep revisiting for reference, but simpler to understand and easier to follow.

—Abhishek Prakash,  
cofounder of It's FOSS

One of the beloved features of Linux environments is the assortment of small utilities that combine in wonderful ways to solve problems. This book distills that experience into an accessible reference. Even experienced readers will rediscover forgotten facets and incredible options on their favorite tools.

—Jess Males, DevOps  
engineer, TriumphPay

This is such a handy reference! It somehow manages to be both thorough and concise.

—Jerod Santo,  
changelog.com



4TH EDITION

---

# Linux Pocket Guide

*Daniel J. Barrett*

Beijing • Boston • Farnham • Sebastopol • Tokyo

**O'REILLY®**

# Linux Pocket Guide

by Daniel J. Barrett

Copyright © 2024 Daniel J. Barrett. All rights reserved.

Printed in the United States of America.

Published by O'Reilly Media, Inc., 1005 Gravenstein Highway North, Sebastopol, CA 95472.

O'Reilly books may be purchased for educational, business, or sales promotional use. Online editions are also available for most titles (<https://oreilly.com>). For more information, contact our corporate/institutional sales department: 800-998-9938 or [corporate@oreilly.com](mailto:corporate@oreilly.com).

**Acquisitions Editor:** John Devins

**Development Editor:** Virginia Wilson

**Production Editor:** Ashley Stussy

**Copyeditor:** Stephanie English

**Proofreader:** Dwight Ramsey

**Indexer:** Daniel J. Barrett and BIM Creatives, LLC

**Interior Designer:** David Futato

**Cover Designer:** Karen Montgomery

**Illustrator:** Kate Dullea

March 2024: Fourth Edition

## Revision History for the Fourth Edition

2024-03-01: First Release

See <https://oreil.ly/lpg4eERR> for release details.

The O'Reilly logo is a registered trademark of O'Reilly Media, Inc. *Linux Pocket Guide*, the cover image, and related trade dress are trademarks of O'Reilly Media, Inc.

The views expressed in this work are those of the author and do not represent the publisher's views. While the publisher and the author have used good faith efforts to ensure that the information and instructions contained in this work are accurate, the publisher and the author disclaim all responsibility for errors or omissions, including without limitation responsibility for damages resulting from the use of or reliance on this work. Use of the information and instructions contained in this work is at your own risk. If any code samples or other technology this work contains or describes is subject to open source licenses or the intellectual property rights of others, it is your responsibility to ensure that your use thereof complies with such licenses and/or rights.

978-1-098-15796-8

[LSI]

---

# Table of Contents

<b>First Things First</b>	<b>ix</b>
<b>Chapter 1: Essential Concepts</b>	<b>19</b>
What's Linux?	19
The Structure of Commands	24
Users and Superusers	26
The Filesystem	27
Selected Features of Bash	36
Getting Help	59
<b>Chapter 2: File Commands</b>	<b>61</b>
Basic File Operations	61
Directory Operations	68
Viewing Files	71
Creating and Editing Files	78
Properties of Files	83
Locating Files	97
Manipulating Text in Files	107
Compressing, Packaging, and Encrypting	126

Comparing Files	135
Converting Files to Other Formats	140
PDF and PostScript File Handling	151
Printing	156
Spellchecking	158
<b>Chapter 3: System Administration Basics</b>	<b>161</b>
Becoming the Superuser	161
Viewing Processes	163
Controlling Processes	169
Scheduling Jobs	175
Logins, Logouts, and Shutdowns	181
Users and Their Environment	184
User Account Management	188
Group Management	192
Installing Software Packages	195
Installing Software from Source Code	209
<b>Chapter 4: Filesystem Maintenance</b>	<b>213</b>
Using Disks and Filesystems	213
Creating and Modifying Filesystems	219
RAID Arrays for Redundancy	224
Logical Volumes for Flexible Storage	229
ZFS: A Modern, Do-It-All Filesystem	235
Backups and Remote Storage	241
<b>Chapter 5: Networking Commands</b>	<b>249</b>
Host Information	249
Host Location	252
Network Connections	256
Email in Daily Use	262



Email Servers	266
Web Browsing	270
<b>Chapter 6: Getting Stuff Done</b>	<b>275</b>
Screen Output	275
Copy and Paste	281
Math and Calculations	283
Dates and Times	289
Version Control	292
Containers	297
Displaying and Processing Images	301
Audio and Video	303
Programming with Shell Scripts	311
Final Words	328
<b>Index</b>	<b>329</b>



---

# First Things First

Welcome to Linux! If you're a new user, this book can serve as a quick introduction, as well as a guide to common and practical commands. If you have Linux experience, feel free to skip the introductory material.

## What's in This Book?

This book is a short guide, *not a comprehensive reference*. I cover important, useful aspects of Linux so you can work productively. I do not, however, present every single command and every last option (my apologies if your favorite was omitted), nor delve into detail about operating system internals. Short, sweet, and essential—that's our motto.

I focus on *commands*, those pesky little words you type on a command line to tell a Linux system what to do. Here's an example command that counts lines of text in a file, *myfile*:

```
wc -l myfile
```

This book covers important Linux commands for most users, such as `ls` (list files), `grep` (search for text), `mplayer` (play audio and video files), and `df` (measure free disk space). I touch only briefly on graphical environments like GNOME and KDE Plasma, each of which could fill a *Pocket Guide* by itself.

I've organized the material by function to provide a concise learning path. For example, to help you view the contents of a file, I introduce many file-viewing commands together: `cat` for short text files, `less` for longer ones, `od` for binary files, and so on. Then I explain each command in turn, briefly presenting its common uses and options.

I assume you have access to a Linux system and can log in. If not, it's easy to try out Linux on most computers. Just download and install a "live" Linux distribution onto a USB thumb drive and boot it. Examples are [Ubuntu](#), [Fedora](#), and [KNOPPIX](#).

## What's New in the Fourth Edition?

### *New commands*

I've added 50 new commands to this edition, such as `git` and `svn` for version control, `split` and `column` for text manipulation, `pandoc` and `ffmpeg` for file conversion, `snap` and `flatpak` for package management, `mdadm`, `lvcreate`, and `zfs` for fancy storage management, `gpg` for encryption, and many others.

### *Clearer organization*

I've reorganized the book into chapters on concepts, files, basic system administration, networking, and other topics.

### *Goodbye, ancient commands*

Some commands from previous editions of this book are mostly obsolete today, such as `write` and `finger`, or deprecated, such as `ftp`. I've replaced them with more relevant commands for modern Linux systems.

## Conventions Used in This Book

Each command I present in this book begins with a standard heading. [Figure P-1](#) shows the heading for `ls`, a command that lists the names and attributes of files. The heading demonstrates the command's general usage in a simple format:

```
ls [options] [files]
```

which means you'd type "ls" followed, if you choose, by options and then filenames. Don't type the square brackets "[" and "]" —they just indicate their contents are optional. Words in italics mean you have to fill in your own values, like names of actual files. If you see a vertical bar between options or arguments, perhaps grouped by parentheses:

```
(file | directory)
```

this indicates choice: you may supply either a filename or directory name as an argument.

```
ls          stdin  stdout  -file  --help  --version

ls [options] [files]
```

Figure P-1. Standard command heading

The standard heading shown in [Figure P-1](#) also includes six properties of the command, printed in black (supported) or gray (unsupported):

#### *stdin*

The command reads by default from standard input (i.e., your keyboard). See [“Input, Output, and Redirection” on page 43](#).

#### *stdout*

The command writes by default to standard output (i.e., your display). See [“Input, Output, and Redirection” on page 43](#).

#### *-file*

A single-dash argument (-), when provided as an input filename, tells the command to read from standard input rather than a disk file. Likewise, if the dash is supplied as an output filename, the command writes to standard output. For example, the following `wc` command line reads

the files *myfile* and *myfile2*, then standard input, then *myfile3*:

```
wc myfile myfile2 - myfile3
```

--opt

A double-dash option (--) means “end of options”: any strings appearing later on the command line are not treated as options. A double dash is sometimes necessary to work with a filename that begins with a dash, which otherwise would be (mistakenly) treated as an option. For example, if you have a file named *-dashfile*, the command `wc -dashfile` fails because the string `-dashfile` is treated as an (invalid) option. Run `wc -- -dashfile` to indicate `-dashfile` is a filename. If a command does not support “--”, you can still work around the problem by prepending the current directory path “./” to the filename so the dash is no longer the first character:

```
wc ./-dashfile
```

--help

The option `--help` makes the command print a help message explaining proper usage, then exit.

--version

The option `--version` makes the command print its version information and exit.

## Commands, Prompts, and Output

The Linux command line, or *shell*, prints a special symbol, called a *prompt*, when it’s waiting for a command. In this book, the prompt is a right-facing arrow:

→

Prompts come in all shapes and sizes, depending on how your shell is configured. Your prompt might be a dollar sign (\$), a combination of your computer name, username, and various symbols (`myhost:~smith$`), or something else. Every

prompt means the same thing: the shell is ready for your next command.

When I show a command line in this book, some parts are meant to be typed by the user, and other parts are not (like the prompt and the command's output). I use boldface to identify the parts to type. Sometimes I add italic comments to explain what's going on:

```
→ wc -l myfile           The command to type at the prompt  
18 myfile                The output it produces
```

## Your Friend, the echo Command

In many of my examples, I print information to the screen with the echo command, which I formally describe in “Screen Output” on page 275. echo is one of the simplest commands—it merely prints its arguments on standard output, once those arguments have been processed by the shell:

```
→ echo My dog has fleas  
My dog has fleas  
→ echo My name is $USER    The shell variable USER  
My name is smith
```

## Long Command Lines

Sometimes, a command is longer than the width of a page, so I split it onto multiple lines. A final backslash character means “continued on the next line”:

```
→ echo This is a long command that does not fit on \  
one line  
This is a long command that does not fit on one line
```

If you enter one of my multiline commands in a running shell, feel free to break it up with backslashes as I did, or just type the whole command on one line without backslashes.

## Keystrokes

I use certain symbols for keystrokes. The caret (^) means “hold down the Control key,” usually labeled Ctrl. For example, ^D (Ctrl D) means “hold down the Ctrl key and type D.” I also write ESC to mean “press and release the Escape key.” Keys like Enter and the space bar should be self-explanatory.

## Downloading the Practice Files

I’ve created a collection of files to help you practice with Linux. Download and install them on any Linux machine, and you can run most of the example commands in this book verbatim. To download them for the first time, run the following commands.<sup>1</sup> (Note that -O contains a capital O, not a zero.)

```
→ cd
→ curl -O https://linuxpocketguide.com/LPG4.tar.gz
→ tar -xf LPG4.tar.gz
```

The preceding commands create a directory named *linuxpocketguide* in your home directory. Visit this directory:

```
→ cd ~/linuxpocketguide
```

and run commands as you read the book. The output should match the book’s except for local details like dates and usernames.

To re-download and install the practice files (say, if you’ve modified them), simply run the provided `reset-lpg` script:

```
→ cd ~/linuxpocketguide
→ bash reset-lpg
```

---

<sup>1</sup> Or, if you are experienced with `git` and GitHub, download the [files](#) and skip the rest of my instructions. If you clone the repository and want to restore the files to their original state, don’t run the `reset-lpg` script; run `git reset --hard` instead.



If you've placed the practice files in a different directory, supply it to `reset-lpg`. The following command creates or refreshes the directory `/tmp/practice/linuxpocketguide`:

```
→ bash reset-lpg /tmp/practice
```

## Conventions Used in This Book

The following typographical conventions are used in this book:

### *Italic*

Indicates new terms, URLs, email addresses, filenames, and file extensions.

### Constant width

Used for program listings, as well as within paragraphs to refer to program elements such as variable or function names, databases, data types, environment variables, statements, and keywords.

### Constant width bold

Shows commands or other text that should be typed literally by the user.

### *Constant width italic*

Shows text that should be replaced with user-supplied values or by values determined by context.

---

#### TIP

This element signifies a tip or suggestion.

---

---

#### NOTE

This element signifies a general note.

---

---

## WARNING

This element indicates a warning or caution.

---

## O'Reilly Online Learning

**O'REILLY**<sup>®</sup>

For more than 40 years, *O'Reilly Media* has provided technology and business training, knowledge, and insight to help companies succeed.

Our unique network of experts and innovators share their knowledge and expertise through books, articles, and our online learning platform. O'Reilly's online learning platform gives you on-demand access to live training courses, in-depth learning paths, interactive coding environments, and a vast collection of text and video from O'Reilly and 200+ other publishers. For more information, visit <https://oreilly.com>.

## How to Contact Us

Please address comments and questions concerning this book to the publisher:

O'Reilly Media, Inc.  
1005 Gravenstein Highway North  
Sebastopol, CA 95472  
800-889-8969 (in the United States or Canada)  
707-827-7019 (international or local)  
707-829-0104 (fax)  
[support@oreilly.com](mailto:support@oreilly.com)  
<https://www.oreilly.com/about/contact.html>

We have a web page for this book, where we list errata, examples, and any additional information. You can access this page at <https://oreil.ly/linux-pocket-guide-4e>.

For news and information about our books and courses, visit <https://oreilly.com>.

Find us on LinkedIn: <https://linkedin.com/company/oreilly-media>.

Watch us on YouTube: <https://youtube.com/oreillymedia>.

## Acknowledgments

I am so grateful to the many readers who purchased the first three editions of this book over the past 20(!) years, making the fourth edition possible. My heartfelt thanks also go to my editor Virginia Wilson, acquisitions editor John Devins, the O'Reilly production team, my awesome technical reviewers (Abhishek Prakash, Dan Ritter, Doron Beit-Halahmi, Ethan Schwartz, and Jess Males), Maggie Johnson at Google, and Kerry and Lesley Minnear at Alucard Music. And all my love to my wonderful family, Lisa, Sophia, Kay, and Luna.



---

# Essential Concepts

## What's Linux?

Linux is a free, open source operating system (OS) that's an alternative to Microsoft Windows and Apple macOS. Linux powers most of the servers on the internet. It operates behind the scenes on every Android mobile phone and Chromebook, and on millions of network-connected devices like routers, firewalls, and robotic cow-milking systems (seriously). It also runs fine on desktop and laptop computers.

Linux has four major parts, shown in [Figure 1-1](#):

### *The kernel*

Low-level software. It controls the hardware and basic functions like process scheduling and networking. Few users interact with the kernel directly.

### *Supplied programs*

Thousands of programs for file handling, text editing, software development, web browsing, audio, video, encryption, mathematics...you name it. These programs talk to the kernel. Programs that run on the command line are called *commands*.

## *The shell*

A Linux program for running commands and displaying the results. Linux has an assortment of shells with different features. This book focuses on a shell called `bash`, which is often the default for user accounts. Some other shells are `dash`, `fish`, `ksh` (Korn shell), `tcsh` (TC shell, or T shell), `zsh` (Z shell), and to a lesser extent, `busybox`. All shells have similar functions, though their usage varies.

## *Graphical desktop environment (optional)*

A UI with windows, menus, icons, mouse support, and other familiar GUI elements. Some popular environments are GNOME and KDE Plasma. Most applications built for GNOME can run in KDE and vice versa.<sup>1</sup>

This book focuses on the command-line parts of Linux, namely the supplied programs and the shell. Windows and macOS have command-line interfaces too (`cmd` and `powershell` on Windows, Terminal on the Mac), but most of their users stick with the GUI and might never see or need a command line. On Linux, the shell is critical. If you use Linux without the shell, you are missing out.

Linux is extremely configurable and comes in hundreds of varieties that serve different needs and tastes. Each variety is called a *distro* (short for “distribution”). All distros share some core components but may look different and include different programs and files. Some popular distros include Mint, Ubuntu, Manjaro, Arch, Gentoo, Red Hat, and OpenSUSE, among others. The core material in this book should apply to every distro.

---

<sup>1</sup> GNOME, KDE, and other environments are built on a common windowing system that is either X or Wayland. To see which system you’re using, run the command `echo $XDG_SESSION_TYPE`.

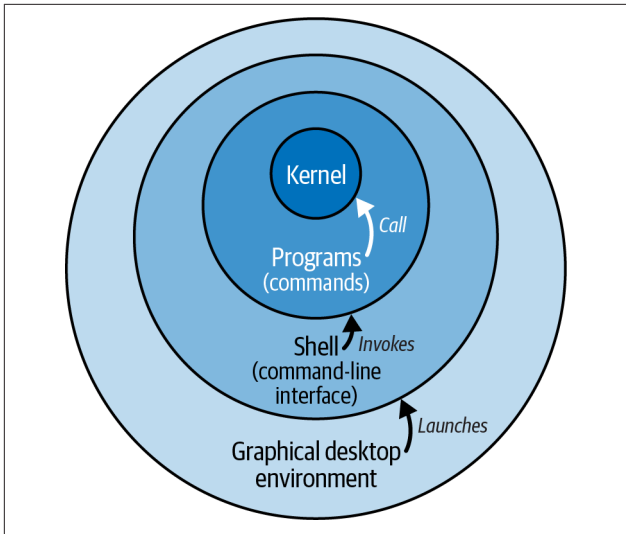


Figure 1-1. The four major parts of Linux, conceptually. Low-level kernel functions are called by programs, which are invoked in a shell, which can be launched by a graphical desktop.

## Launching a Shell

Where do shells come from? Sometimes Linux will launch one for you automatically. This is often the case when you log in over a network using `ssh` or a similar tool. The first significant thing you see is a shell prompt awaiting your command.

Other times, you have to launch a shell manually. This is common when using a graphical desktop full of icons and menus with no shell in sight. In such cases, you need a GUI application called a *terminal* or *terminal program* that runs shells in a window. The sidebar “[Shell Versus Terminal](#)” on page 22 clarifies the difference between shells and terminals.

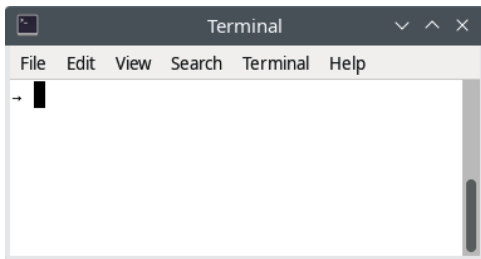
Every distro with a graphical desktop includes at least one terminal program, but you might have to hunt for it. Search for an application, icon, or menu item named Terminal, Konsole, xterm, gnome-terminal, uxterm, or something similar, and run it to open a terminal. Also try pressing `Ctrl-Alt-t` (hold the Control and Alt keys and press T), which opens a terminal in some environments.

## Shell Versus Terminal

A shell is a command-line interface for launching Linux commands by typing plain text. It prints a prompt and waits for your command:

→

A terminal is a program that opens a window and presents a running shell, shown in [Figure 1-2](#). It's like a graphical wrapper around a shell. A terminal adds menus, scrollbars, copy and paste, and other GUI features that support the shell.



*Figure 1-2. A terminal program opens a window that runs a shell.*

## Command-Line Warm-Up

To give you a feel for Linux, here are 10 simple commands to try right now in a shell. Type them *exactly*, including capital



and small letters, spaces, and all symbols after the prompt. At the end of each command, press Enter.<sup>2</sup>

Display a calendar for November 2023:

```
→ cal nov 2023
  November 2023
Su Mo Tu We Th Fr Sa
      1  2  3  4
  5  6  7  8  9 10 11
 12 13 14 15 16 17 18
 19 20 21 22 23 24 25
 26 27 28 29 30
```

List the contents of the `/bin` directory, which contains many commands:

```
→ ls /bin
bash      less      rm
bunzip2   lessecho rmdir
busybox   lessfile  rnano
:
```

Count the number of visible items in your home directory (represented here by a variable, `HOME`, that I discuss later):

```
→ ls $HOME | wc -l
8 Your value may be different
```

See how much space is used on a partition of your hard disk:

```
→ df -h /
Filesystem Size Used Avail Use% Mounted on
/dev/sdb1  78G  30G  48G  61% /
```

Watch the processes running on your computer (press “q” to quit):

```
→ top -d1
```

---

<sup>2</sup> If you see an error message “command not found,” don’t worry: a command probably isn’t installed on your system. See “[Installing Software Packages](#)” on page 195.

Print the file `/etc/hosts`, which contains names and addresses of computers, on your default printer if you have one set up:

```
→ lpr /etc/hosts
```

See how long you've been logged in:

```
→ last -1 $USER
```

```
smith pts/7 :0 Tue Nov 10 20:12 still logged in
```

Download a file `sample.pdf` from this book's website to your current directory, without needing a web browser:

```
→ curl -O https://linuxpocketguide.com/sample.pdf
```

See who owns the domain name `oreilly.com` (press the space bar to move forward page by page, and press "q" to quit):

```
→ whois oreilly.com | less
```

```
Domain Name: OREILLY.COM
```

```
Registrar: GODADDY.COM, LLC
```

```
:
```

Finally, clear your terminal or screen:

```
→ clear
```

Congratulations, you are now a Linux user!

## The Structure of Commands

A Linux command typically consists of a *program name* followed by *options* and *arguments*:

```
wc -l myfile
```

The program name (`wc`, short for "word count") refers to a program somewhere on disk that the shell locates and runs. Options, which usually begin with a dash, affect the behavior of the program. In the preceding command, the `-l` option tells `wc` to count lines and not words. The argument `myfile` specifies the file that `wc` should read and process.

Commands can have multiple options and arguments. Options may be given individually, or combined after a single dash:

```
wc -l -w myfile
wc -lw myfile
```

*Two individual options*  
*Combined options, same as -l -w*

though some programs are quirky and do not recognize combined options. Multiple arguments are also OK:

```
wc -l myfile myfile2
```

*Count lines in two files*

Options are not standardized. They may be a single dash and one character (say, `-l`), two dashes and a word (`--lines`), or several other formats. The same option may have different meanings to different programs: in the command `wc -l`, the option `-l` means “lines of text,” but in `ls -l` it means “long output.” Two programs also might use different options to mean the same thing, such as `-q` for “run quietly” versus `-s` for “run silently.” Some options are followed by a value, such as `-s 10`, and space between them might not be required (`-s10`).

Arguments are usually filenames for input or output, but they can be other things too, like directory names, usernames, hostnames, IP addresses, regular expressions, or arbitrary strings.

A command that’s just a single program with options and arguments is called a *simple command*. Here’s a simple command that lists users who are logged into a Linux server:<sup>3</sup>

```
→ who
silver      :0      Sep 23 20:44
byrnes     pts/0    Sep 15 13:51
barrett    pts/1    Sep 22 21:15
silver     pts/2    Sep 22 21:18
```

A command can also invoke several programs at once and even connect programs so they interact. Here’s a command that connects the output of `who` to the input of `wc`, which counts lines of text. The result is the number of lines in the output of `who`:

---

<sup>3</sup> User “silver,” who is listed twice, is running two interactive shells at once.

```
→ who | wc -l
4
```

The vertical bar, called a *pipe*, makes the connection between `who` and `wc`. Linux experts use these sorts of combined commands, called *pipelines*, all the time.

Commands can also include programming language constructs like variables, conditionals, and loops, which I cover in “[Programming with Shell Scripts](#)” on page 311. For example, a command might say, “run this program, write its output to a file of my choosing, and if any errors occur, send me an email with the results.”

## Users and Superusers

Linux is a multiuser OS: multiple people can run programs on a single Linux computer at the same time. On a given computer, each user is identified by a *username*, like `smith` or `funkydance`. Each user has a separate workspace of sorts (see “[Home Directories](#)” on page 29) so they don’t interfere with one another.

A special user named *root*—the *superuser* or *administrator*—has the privileges to do anything at all on the system. The superuser can create, modify, or delete any file and run any program. Ordinary users are restricted: they can run most programs, but in general, they can’t mess with other users’ stuff.

Some commands in this book require superuser privileges. I precede these commands with `sudo`:

```
→ sudo superuser command goes here
```

---

### WARNING

`sudo` gives you the power to destroy your Linux system.

---

I discuss `sudo` fully in “[Becoming the Superuser](#)” on page 161, but for now, all you need to know is that `sudo` gives you super-user powers and sometimes prompts for your password. For example, to count lines in a protected file called `/etc/shadow`, with and without `sudo`, you could run this command:

```
→ wc -l /etc/shadow This fails  
wc: /etc/shadow: Permission denied  
→ sudo wc -l /etc/shadow Run with sudo  
[sudo] password: xxxxxxxx  
51 /etc/shadow It worked!
```

## The Filesystem

To make use of any Linux system, you must become comfortable with Linux files and directories (a.k.a. folders), collectively called the *filesystem*. On a graphical desktop, files and directories are obvious on screen. In a command-line interface like the Linux shell, the same files and directories are still present but less visible, so at times you must remember which directory you are “in” and how it relates to other directories. You’ll use shell commands like `cd` (change directory) to move between directories, and commands like `pwd` (print working directory) to keep track of where you are in the filesystem.

Let’s cover some terminology. Linux files are collected into *directories*. The directories form a hierarchy, or *tree*, as in [Figure 1-3](#). One directory may contain other directories, called *subdirectories*, which may themselves contain other files and subdirectories, and so on, into infinity. The topmost directory is called the *root directory* and is denoted by a slash (`/`).<sup>4</sup>

---

<sup>4</sup> In Linux, *all* files and directories descend from the root. This is unlike Windows, in which different devices are accessed by drive letters.

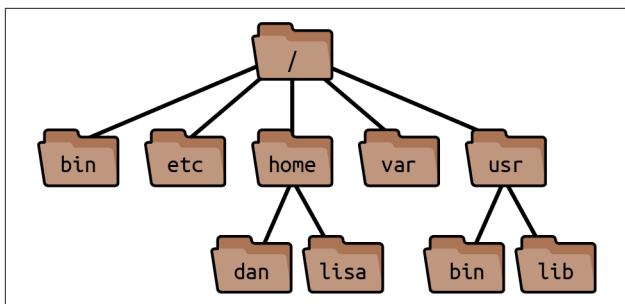


Figure 1-3. A Linux filesystem (partial). The root directory is at the top. The absolute path to the “dan” directory is `/home/dan`.

Linux refers to its files and directories using a “names and slashes” syntax called a *path*. For instance, the following path:

```
/one/two/three/four
```

refers to the root directory `/`, which contains a directory called *one*, which contains a directory *two*, which contains a directory *three*, which contains a final file or directory, *four*. Any path that begins with a slash, which descends all the way from the root, is called an *absolute* path.

Paths don’t have to be absolute—they can be relative to some directory other than the root. Figure 1-3 has two different directories named *bin*, whose absolute paths are `/bin` and `/usr/bin`. If you simply refer to “the *bin* directory,” it’s not clear which one you mean. You need more context. Any path that doesn’t begin with a slash, like *bin*, is called a *relative* path.

To make sense of a relative path, you need to know “where you are” in the Linux filesystem. This location is called your *current directory* (sometimes called “working directory” or “current working directory”).

Every shell has a current directory, and when you run commands in that shell, they operate relative to its current directory. For example, if your shell is “in” the directory `/usr`, and you refer to a relative path *bin*, it means `/usr/bin`. In general,

if your current directory is */one/two/three*, a relative path *a/b/c* would imply the absolute path */one/two/three/a/b/c*.

Two special relative paths are named *.* (a single period, or “dot”) and *..* (two periods, or “dot dot”). “Dot” means your shell’s current directory, and “dot dot” means its *parent* directory, one level above. So if your shell’s current directory is */one/two/three*, then *.* refers to this directory and *..* refers to */one/two*.

To travel from one directory to another, use the `cd` command, which changes your shell’s current directory:

→ `cd /usr/local/bin`      *Enter the directory /usr/local/bin*

The previous `cd` command used an absolute path. You can make relative moves with `cd` as well:

→ `cd d`      *Enter subdirectory d of my current directory*  
→ `cd ../mydir`      *Go up to my parent, then into directory mydir*

File and directory names may contain most characters you expect: capital and small letters,<sup>5</sup> numbers, periods, dashes, underscores, and most symbols (but not “/”, which is reserved for separating directories). For efficiency, however, avoid spaces, asterisks, dollar signs, parentheses, and other characters that have special meaning to the shell. These characters require special treatment in filenames (see “Quoting” on page 46), which can be inconvenient or tedious.

## Home Directories

Users’ personal files are usually kept in the directory */home* (for ordinary users) or */root* (for the superuser). Your home directory is typically */home/<your-username>* (*/home/smith*, */home/funkydance*, etc.). There are several ways to visit or refer to your home directory:

---

<sup>5</sup> Linux filenames are case-sensitive, so upper and lowercase letters are not equivalent.

cd

With no arguments, the `cd` command returns you (i.e., sets the shell's current directory) to your home directory.

HOME *variable*

The environment variable `HOME` (see “Shell Variables” on page 39) contains the name of your home directory:

```
→ echo $HOME          Print the directory name
/home/smith
→ cd $HOME/linuxpocketguide Visit a subdirectory
```

~

When used in place of a directory, a lone tilde is expanded by the shell to the name of your home directory.

```
→ echo ~              Print the directory name
/home/smith
→ cd ~/linuxpocketguide Visit a subdirectory
```

When the tilde is followed by a username (as in `~fred`), the shell expands this string to be the user's home directory:

```
→ cd ~fred           Visit Fred's home directory, if it exists
→ pwd                The “print working directory” command
/home/fred
```

## System Directories

A Linux system has tens of thousands of system directories. They contain OS files, applications, documentation, and just about everything except personal user files (which typically live in */home*).

Unless you're a system administrator, you'll rarely visit most system directories—but with a little knowledge you can understand or guess their purposes. Their names often contain three parts, as shown in [Figure 1-4](#).





Figure 1-4. Directory scope, category, and application

## Directory path part 1: scope

The *scope* of a directory path describes, at a high level, the purpose of an entire directory tree. Some common ones are:

- `/` (Pronounced “root”) System files supplied with your distro
- `/usr` (Pronounced “user”) More system files supplied with your distro
- `/usr/local` (Pronounced “user local”) System files that are not supplied with your distro; they may be unique to your local Linux network or your individual computer

There isn’t a clear distinction between `/` and `/usr` in practice, but `/` is considered “lower level” and closer to the OS.

## Directory path part 2: category

The *category* of a directory path in [Figure 1-4](#) describes the types of files found in a directory. For example, if the category is *lib*, you can be reasonably sure that the directory contains *library* files for programming. If the category is *bin*, the contents are usually *binary* files—executable programs.

When you precede a category like *bin* with a scope, you produce paths like `/bin`, `/usr/bin`, and `/usr/local/bin`. A distro’s most fundamental system programs like `ls` and `cat` are typically in `/bin`, and other system programs are in `/usr/bin`.<sup>6</sup> `/usr/local/bin` contains locally installed programs not included in your distro. These are not hard-and-fast rules but typical cases.

---

<sup>6</sup> Some distros no longer make these distinctions. Fedora, for example, makes `/bin` a symbolic link to `/usr/bin`.

Some common categories are as follows:

### Categories for programs

<i>bin</i>	Programs (usually binary files)
<i>sbin</i>	Programs (usually binary files) for superusers
<i>lib</i>	Libraries of code used by programs

### Categories for documentation

<i>doc</i>	Documentation
<i>info</i>	Documentation files for emacs's built-in help system
<i>man</i>	Documentation files (manual pages) displayed by the <code>man</code> command; the files are often compressed and are sprinkled with typesetting commands for <code>man</code> to interpret
<i>share</i>	Program-specific files, such as examples and installation instructions

### Categories for configuration

<i>etc</i>	Configuration files for the system (and other miscellaneous stuff)
<i>init.d</i>	Configuration files for booting Linux
<i>rc.d</i>	Configuration files for booting Linux; also <i>rc1.d</i> , <i>rc2.d</i> , ...

### Categories for programming

<i>include</i>	Header files for programming
<i>src</i>	Source code for programs

### Categories for web files

<i>cgi-bin</i>	Scripts/programs that run on web pages
<i>html</i>	Web pages
<i>public_html</i>	Web pages, typically in users' home directories
<i>www</i>	Web pages

### Categories for display

<i>fonts</i>	Fonts (surprise!)
<i>X11</i>	X window system files

### Categories for hardware

<i>dev</i>	Device files for interfacing with disks and other hardware
<i>media</i>	Mount points: directories that provide access to disks
<i>mnt</i>	Mount points: directories that provide access to disks

### Categories for runtime files

<i>var</i>	Files related to the state of the computer, updated frequently
<i>lock</i>	Lock files, created by programs to say, “I am running”; the existence of a lock file may prevent another program, or another instance of the same program, from performing an action
<i>log</i>	Logfiles that track important system events, containing error, warning, and informational messages
<i>mail</i>	Mailboxes for incoming email
<i>run</i>	PID files, which contain the IDs of running processes; these files are often consulted to track or kill particular processes
<i>spool</i>	Files queued or in transit, such as outgoing email, print jobs, and scheduled jobs
<i>tmp</i>	Temporary storage for programs and/or people to use

### Directory path part 3: application

The application part of a directory path (Figure 1-4), if present, is usually the name of a program. For example, the directory */etc/systemd* has scope root (*/*), category *etc* (configuration files), and application *systemd*. Since *systemd* is a service for configuring Linux machines, a good guess is that */etc/systemd* contains configuration files for that service—and it does.

## Kernel-Related Directories

Some directories support the Linux kernel, the lowest-level part of the Linux OS:

## */boot*

Files for booting the system. The kernel lives here, typically in */boot/vmlinuz* or a file of similar name.

## */lost+found*

Damaged files that were rescued by a disk recovery tool.

## */proc*

Files for currently running processes; for advanced users.

## */sys*

Files for kernel internals; for advanced users.

The files in */proc* and */sys* provide views into the running kernel and have special properties. Files in */proc* always appear to be zero-sized, read-only, and dated now, but their contents magically contain information about the Linux kernel:

```
→ ls -lG /proc/version
-r--r--r-- 1 root 0 Oct 3 22:55 /proc/version
→ cat /proc/version
Linux version 5.15.0-76-generic ...
```

Files in */sys* also have misleading sizes and magical contents:

```
→ ls -lG /sys/power/state
-rw-r--r-- 1 root 4096 Jul 8 06:12 /sys/power/state
→ cat /sys/power/state
freeze mem disk
```

*/proc* and */sys* are used mostly by system programs, but feel free to view them. Here are some examples:

*/proc/ioports* A list of your computer's input/output hardware.

*/proc/cpuinfo* Information about your computer's processors.

*/proc/version* The OS version. The `uname` command prints the same information.

*/proc/uptime* System uptime: seconds elapsed since the system was last booted. Run `uptime` for a more human-readable result.

*/proc/NNN* Information about the Linux process with ID *NNN*, where *NNN* is a positive integer, such as */proc/13542*.

`/proc/self` Information about the current process you're running; a symbolic link to a `/proc/nnn` file, automatically updated. Try running:  
→ `ls -l /proc/self`  
several times in a row, and `/proc/self` changes where it points.

## File Permissions

A Linux system may have many user accounts. To maintain privacy and security, most users can access only *some* files on the system, not all. This access control is embodied in two questions:

### *Who has permission?*

Every file and directory has an *owner* who can do anything they want with it. Typically, a file's owner is the user who created it. A superuser can change a file's owner.

Additionally, a predefined *group* of users may access a file. Groups are defined by the system administrator and I cover them in [“Group Management” on page 192](#).

Finally, a file or directory can be opened to *all users* who have accounts on the system. You'll also see this set of users called *the world* or simply *other*.

### *What kind of permission is granted?*

File owners, groups, and the world may each have permission to *read*, *write* (modify), and *execute* (run) particular files. Permissions also extend to directories, which users may read (view files within the directory), write (create and delete files within the directory), and execute (enter the directory with `cd`).

To see the ownership and permissions of a file named *myfile*, run `ls -l`, described in [“Basic File Operations” on page 61](#):

```
→ ls -l myfile
-rw-r--r-- 1 smith smith 1168 Oct 28 2015 myfile
```

To see the ownership and permissions of a directory named *mydir*, add the `-d` option:

```
→ ls -ld mydir
drwxr-x--- 3 smith smith 4096 Jan 08 15:02 mydir
```

In the output, the file permissions are the 10 leftmost characters, a string of *r* (read), *w* (write), *x* (execute), other letters, and dashes. For example:

```
-rwxr-x---
```

Here's what these letters and symbols mean, briefly:

Position	Meaning
1	<b>File type:</b> - = file, d = directory, l = symbolic link, p = named pipe, c = character device, b = block device
2–4	<b>Permissions for the file's owner:</b> read ( <i>r</i> ), write ( <i>w</i> ), execute ( <i>x</i> ), or no permission (-).
5–7	<b>Permissions for the file's group:</b> <i>r</i> , <i>w</i> , <i>x</i> , -
8–10	<b>Permissions for all other users:</b> <i>r</i> , <i>w</i> , <i>x</i> , -

My example `-rwxr-x---` means a file that can be read, written, and executed by the owner; read and executed by the group, but not written; and not accessed at all by other users. To change the owner, group, or permissions, use the commands `chown`, `chgrp`, and `chmod`, respectively, as described in [“Properties of Files” on page 83](#).

## Selected Features of Bash

A shell does much more than simply run commands. It also *simplifies* the running of commands, thanks to powerful features: pattern matching for filenames, a “command history” to recall previous commands quickly, pipes to send the output of one command to the input of another, variables to store values for use by the shell, and more. Take the time to learn these features, and you will become faster and more productive with

Linux.<sup>7</sup> Let's skim the surface and introduce you to these useful tools. (For full documentation, run `info bash`.)

## Which Shell Are You Running?

This book assumes that your shell is `bash`. To identify your shell, run:

```
→ echo $SHELL
/bin/bash
```

If your shell isn't `bash` and you wish to try it, run the command `bash` directly, because `bash`, like all shells, is just a program. (It's located at `/bin/bash`.)

```
→ bash
```

Run the command `exit` when done to return to your regular shell. To change your default shell to `bash`, see the `chsh` command in “[User Account Management](#)” on page 188.

## Pattern Matching

Pattern matching in the shell, sometimes called wildcards, is a shorthand to work with sets of files. For example, the pattern `a*` refers to files whose names begin with lowercase “a.” The shell expands a pattern into the full set of filenames it matches. If you run:

```
→ ls a*
aardvark  adamantium  apple
```

the shell invisibly expands the pattern `a*` into the filenames that begin with “a” in your current directory, as if you had typed:

```
→ ls aardvark adamantium apple
```

`ls` never knows you used a pattern: it sees only the final list of filenames after expansion. This means *every* Linux program

---

<sup>7</sup> Also see my follow-up book, *Efficient Linux at the Command Line*, to grow your skills.

you launch from a shell, regardless of its origin, “works” with patterns and other shell features. This is a critically important point. A surprising number of Linux users think that programs expand their own file patterns on the command line. They don’t. The shell does it *before the associated program even runs*.

Patterns never match two special characters: a leading period and the directory slash (/). These characters must be given literally. A pattern like `.bas*` matches `.bashrc`, and `/etc/*conf` matches all filenames ending in `conf` in the `/etc` directory.

## Dot Files

Filenames with a leading period, called *dot files*, are often hidden from view unless you explicitly request them. An example is the bash initialization file `.bashrc` in your home directory.

- `ls` omits dot files from directory listings, unless you provide the `-a` option.
- Pattern-matching characters in the shell do not match a leading period.

As a result, dot files are often called “hidden files.”

Pattern	Meaning
*	Zero or more consecutive characters, except a leading dot or a directory slash.
?	Any single character, except a leading dot or a directory slash.
[set]	Any single character in the given set. It can be a sequence of characters, like <code>[aeiouAEIOU]</code> for all vowels, or a range with a dash, like <code>[A-Z]</code> for all capital letters, or a combination.
[!set]	Any single character <i>not</i> in the given set, such as <code>[!0-9]</code> to mean any nondigit.
[^set]	Same as <code>[!set]</code> .



To match a literal dash in a character set, put it first or last so it's not part of a range. To include a literal closing square bracket in the set, put it first in the set, or escape it with a backslash (`\]`). To include a `^` or `!` symbol literally, place it somewhere other than first in the set, or escape it.

## Brace Expansion

Similar to file patterns, expressions with curly braces also expand to become multiple arguments to a command. The comma-separated expression:

```
{bubble,quick,merge}
```

expands first to `bubble`, then `quick`, and finally `merge` within a command line, like this:

```
→ echo {bubble,quick,merge}sort.java  
bubblesort.java quicksort.java mergesort.java
```

---

### NOTE

The key difference between braces and square brackets is that braces work with *any* strings, whereas square bracket expressions match only existing filenames.

---

Curly braces can also expand to a sequence of values in a range, if you separate the endpoints of the range with two dots (`..`):

```
→ echo {3..12}  
3 4 5 6 7 8 9 10 11 12  
→ echo {A..E}  
A B C D E  
→ echo file{1..5}.py  
file1.py file2.py file3.py file4.py file5.py
```

## Shell Variables

You can define variables in a shell and assign them values:

→ **MYVAR=3**      *Assign the value 3 to variable MYVAR*

To refer to a value, simply place a dollar sign in front of the variable name:

→ **echo \$MYVAR**  
3

The shell defines some standard variables when you log in:

Variable	Meaning
DISPLAY	The name of your X window display
HOME	Your home directory, such as <i>/home/smith</i>
LOGNAME	Your login name, such as <i>smith</i>
MAIL	Your incoming mailbox, such as <i>/var/spool/mail/smith</i>
OLDPWD	Your shell's previous directory, prior to the last <i>cd</i> command
PATH	Your shell search path: directories separated by colons
PWD	Your shell's current directory
SHELL	The path to your shell (e.g., <i>/bin/bash</i> )
TERM	The type of your terminal (e.g., <i>xterm</i> or <i>vt100</i> )
USER	Your login name

Variables and their values are limited, by default, to the shell that defines them. To make a variable and its value available to other programs your shell invokes (i.e., subprocesses), use the *export* command:

→ **MYVAR=3**  
→ **export MYVAR**

or the shorthand:

→ **export MYVAR=3**

Your exported variable is now called an *environment variable*. To go further and make a variable available to every new shell you run, not just subprocesses of your current shell, place the

variable definition beforehand in a shell configuration file; see “[Tailoring Shell Behavior](#)” on page 58.

To list a shell’s environment variables, run:

```
→ printenv
```

To set an environment variable just for the duration of one command, prepend *variable=value* to the command line:

```
→ printenv HOME
/home/smith
→ HOME=/home/sally printenv HOME
/home/sally
→ printenv HOME
/home/smith The original value is unaffected
```

## Search Path

Programs may be scattered all over the Linux filesystem, mostly in directories like */bin* and */usr/bin*. When you run a command that invokes a program, somehow the shell must locate the program in the filesystem:

```
→ who The shell must locate the “who” program to run it
```

The shell finds the program by consulting the value of the environment variable *PATH*, which is a list of directories separated by colons. This list is called the shell’s *search path*.

```
→ echo $PATH
/usr/local/bin:/bin:/usr/bin Search path with 3 directories
```

The shell looks for an executable file named *who* in each listed directory in sequence. If it locates *who* (say, in */usr/bin/who*), it executes the program, and also caches the location for next time (run `hash --help` for more on caching). Otherwise, it reports a failure:

```
bash: who: command not found
```

To print a command’s location in your search path, run the `type` or `which` command:

```
→ type who
who is /usr/bin/who
→ which who
/usr/bin/who
```

To add directories to your shell's search path temporarily, modify its `PATH` variable. For example, append `/usr/sbin` to your shell's search path:

```
→ PATH=$PATH:/usr/sbin
→ echo $PATH
/usr/local/bin:/bin:/usr/bin:/usr/sbin
```

This change affects only the current shell. To make it stick, modify `PATH` in a bash configuration file, as explained in “[Tailoring Shell Behavior](#)” on page 58. Then log out and log back in, or run the configuration file by hand in each open shell window. For example:

```
→ . $HOME/.bashrc If you modified $HOME/.bashrc
```

## Aliases

The `alias` command defines a convenient shorthand for another command. For example, this alias:

```
→ alias ll='ls -lG'
```

defines a new command `ll` that runs `ls -lG`:

```
→ ll
total 436
-rw-r--r--  1 smith      3584 Oct 11 14:59 file1
-rwxr-xr-x  1 smith         72 Aug  6 23:04 file2
:
```

Define aliases in your `~/.bashrc` file (see “[Tailoring Shell Behavior](#)” on page 58) to make them available to future shells.<sup>8</sup> To list all your aliases, run `alias`. If you want more flexibility than

---

<sup>8</sup> Some setups use `~/.bash_aliases` for this purpose.

aliases provide, see “Programming with Shell Scripts” on page 311, run `info bash`, and read up on “shell functions.”

## Built-in Commands

Most Linux commands are programs in the Linux filesystem. Examples are `wc` and `who`, which usually live in the directory `/usr/bin`. The shell locates and runs them using the `PATH` variable, as I described in “Search Path” on page 41. Some other commands, however, are built-in features of the shell, known as *built-in commands*. You’ve seen several built-in commands in this chapter, such as `cd`, `alias`, and `export`. To determine whether a command is in the filesystem, a built-in command, or an alias, run the `type` command:

```
→ type wc cd ll           Print the types of these commands
wc is /usr/bin/wc        A program in the filesystem
cd is a shell builtin    A built-in shell command
ll is aliased to `ls -lG` An alias
```

## Input, Output, and Redirection

Most Linux commands accept input and/or produce output. Keyboard input is called *standard input* or *stdin*. Output to your display is called *standard output* or *stdout*. Error messages are treated specially and printed on *standard error* or *stderr*, which also is usually your display, but Linux separates *stderr* from *stdout* internally.<sup>9</sup>

The shell can redirect standard input, standard output, and standard error to and from files. In other words, any command that reads from standard input can have its input come from a file instead with the shell’s `<` operator:

```
→ command < infile
```

---

<sup>9</sup> For example, you can capture standard output in a file and still have standard error messages appear on screen.

Likewise, any command that writes to standard output can write to a file instead:

- `command > outfile`      *Create/overwrite outfile*
- `command >> outfile`      *Append to outfile*

A command that writes to standard error can have its error output redirected to a file as well, leaving standard output unaffected:

- `command 2> errorfile`

To redirect both standard output and standard error to files:

- `command > outfile 2> errorfile`      *Separate files*
- `command &> outfile`      *Single file (preferred)*
- `command >& outfile`      *Single file (less common)*

## Combined Commands

Bash lets you move beyond simple commands by combining multiple programs on a single command line.

### Sequences of commands

To invoke several commands in sequence on a single command line, separate them with semicolons:

- `command1 ; command2 ; command3`

To run a sequence of commands as before, but stop execution if any of them fails, separate them with `&&` (“and”) symbols:

- `command1 && command2 && command3`

To run a sequence of commands, stopping execution as soon as one succeeds, separate them with `||` (“or”) symbols:

- `command1 || command2 || command3`

### Pipes

You can redirect the standard output of one command to be the standard input of another, using the shell’s pipe (`|`) operator.

(On US keyboards, find this symbol just above the Enter key.)  
For example, this command:

```
→ who | sort
```

sends the output of `who` into the `sort` command, printing an alphabetically sorted list of logged-in users. Multiple pipes work too. Let's sort the output of `who` again, extract the first column of information (using `awk`), and display the results one page at a time (using `less`):

```
→ who | sort | awk '{print $1}' | less
```

## Command substitution

If you surround a command with backquotes (“backticks”), the shell removes the command and substitutes the command's output.

```
→ date +%Y Print the current year  
2024  
→ echo This year is `date +%Y`  
This year is 2024
```

A dollar sign and parentheses are equivalent to backquotes:

```
→ echo This year is $(date +%Y)  
This year is 2024
```

but are superior because they can be nested:

```
→ echo Next year is $(expr $(date +%Y) + 1)  
Next year is 2025
```

## Process substitution

Some programs don't work well with pipes because they don't read from standard input, only from disk files. An example is the `diff` command that compares two files line by line and prints their differences. *Process substitution* is a way to force a command like `diff` to read from standard input. It runs a command and lets its output “masquerade” as a file, which programs like `diff` will happily accept. With the process

substitution operator, `<()`, you can compare the output of two commands instead of two disk files.

Suppose you have a directory full of JPEG and text files in pairs:

```
→ ls jpegexample  
file1.jpg file2.jpg file3.jpg ...  
file1.txt file2.txt file3.txt ...
```

and you want to confirm that every JPEG file has a corresponding text file and vice versa. Ordinarily, you might create two temporary files, one containing the JPEG filenames and the other containing the text filenames, remove the file extensions with `cut`, and compare the two temporary files with `diff`:

```
→ cd jpegexample  
→ ls *.jpg | cut -d. -f1 > /tmp/jpegs  
→ ls *.txt | cut -d. -f1 > /tmp/texts  
→ diff /tmp/jpegs /tmp/texts  
5a6  
> file6          No file6.jpg was found  
8d8  
< file9          No file9.txt was found
```

Process substitution performs the same task with a single command and no temporary files:

```
→ diff <(ls *.jpg|cut -d. -f1) <(ls *.txt|cut -d. -f1)
```

Each `<()` operator stands in for a filename on the command line, as if that “file” contained the output of `ls` and `cut`.

## Preventing Evaluation

The shell evaluates every character of a command. To prevent evaluation, use quoting or escaping.

### Quoting

Normally, the shell treats whitespace as a separator for strings on the command line. To make a string that *contains* whitespace (e.g., a filename with a space in it), surround it with



single or double quotes, and the shell treats it as a unit. Single quotes treat their contents literally, while double quotes permit variables and other shell constructs to be evaluated:

```
→ echo 'The variable HOME has value $HOME'
The variable HOME has value $HOME
→ echo "The variable HOME has value $HOME"
The variable HOME has value /home/smith
```

## Escaping

If a character has special meaning to the shell but you want it used literally (e.g., \* as a literal asterisk rather than a file pattern), precede the character with the backslash “\” character. This is called *escaping* the special character:

```
→ echo a*           A file pattern
aardvark adamantium apple
→ echo a\*         A literal asterisk
a*
→ echo "I live in $HOME" Print a variable value
I live in /home/smith
→ echo "I live in \$HOME" Print a literal dollar sign
I live in $HOME
```

You can also escape control characters (tabs, newlines, ^D, etc.) to have them used literally on the command line, if you precede them with ^V. This is particularly useful for tab characters, which the shell would otherwise use for filename completion (see “[Filename Completion](#)” on page 49).

```
→ echo "There is a tab between here^V   and here"
There is a tab between here       and here
```

## Command-line Editing

Bash lets you edit the command line you’re working on, using keystrokes inspired by the text editors Emacs and Vim (see “[Creating and Editing Files](#)” on page 78). To enable command-line editing with Emacs keys, run this command (and place it in a bash configuration file to make it permanent):

→ **set -o emacs**

For vi (or Vim) keys:

→ **set -o vi**

Emacs keystroke	Vim keystroke (after ESC)	Meaning
^P or up arrow	k or up arrow	Go to previous command
^N or down arrow	j or down arrow	Go to next command
^R		Search for a previous command interactively
^F or right arrow	l or right arrow	Go forward one character
^B or left arrow	h or left arrow	Go backward one character
^A	0	Go to beginning of line
^E	\$	Go to end of line
^D	x	Delete next character
^U	^U	Delete to beginning of line

## Command History

A shell can recall previous commands and re-execute them, a feature called *command history*. Try these useful history-related commands and expressions:

Command	Meaning
history	Print your history
history <i>N</i>	Print the most recent <i>N</i> commands in your history
history -c	Clear (delete) your history
!!	Represents your previous command. To re-run it: → !! <Enter>
! <i>N</i>	Represents command number <i>N</i> in your history
! - <i>N</i>	Represents the command you entered <i>N</i> commands ago

Command	Meaning
! <b>\$</b>	Represents the last argument from the previous command. Great for checking that files are present before running a destructive command like <code>rm</code> : → <code>ls z*</code> zebra.txt zipfile.zip zookeeper → <code>rm !\$</code> <i>Same as “rm z*”</i>
! <b>*</b>	Represents all arguments from the previous command: → <code>ls myfile emptyfile hugefile</code> emptyfile hugefile myfile → <code>wc !*</code> 18            211            1168 myfile 0             0             0 emptyfile 333563 2737540 18577839 hugefile 333581 2737751 18579007 total

## Filename Completion

In the middle of typing a filename, press the Tab key and the shell automatically completes the filename for you. If several filenames match what you’ve entered so far, the shell beeps, indicating the match is ambiguous. Immediately press Tab a second time and the shell presents the alternatives. Try this:

```
→ cd /usr/bin
→ ls un<Tab><Tab>
```

The shell displays all files in `/usr/bin` that begin with `un`, such as `uniq` and `unzip`. Enter a few more characters to disambiguate your choice and press Tab again.

## Shell Job Control

```
jobs     List your jobs.
&        Placed after a command, runs it in the background.
^Z       Keystroke to suspend the current (foreground) job.
```

`suspend` Suspend a shell.  
`fg` Unsuspend a job: bring it into the foreground.  
`bg` Make a suspended job run in the background.  
`disown` Forget a job.

All Linux shells have *job control*: the ability to run commands in the background (multitasking behind the scenes) and foreground (the active process at your shell prompt). A *job* is simply the shell's unit of work. When you run a command interactively, your current shell tracks it as a job. When the command completes, the associated job disappears. Jobs are at a higher level than Linux processes; the Linux OS knows nothing about them. They are merely constructs of the shell. Here is some important vocabulary about job control:

#### *Foreground job*

In a shell, a running job that occupies the shell prompt so you cannot run another command

#### *Background job*

In a shell, a running job that doesn't occupy the prompt, so you can run other commands in the same shell

#### *Suspend*

To stop a foreground job temporarily

#### *Resume*

To cause a suspended job to start running in the foreground again

#### *Disown*

To tell the shell to stop tracking the job; the underlying processes continue to run

---

## jobs

stdin stdout -file --opt --help --version

The built-in command `jobs` lists the jobs running in your current shell by number and name:

```
→ jobs
[1]-  Running          emacs myfile &      A background job
[2]+  Stopped          ssh example.com     A suspended job
```

The integer on the left is the job number, and the plus sign identifies the default job affected by the `fg` (foreground) and `bg` (background) commands.

---

## &

Placed at the end of a command line, the ampersand causes the given command to run as a background job:

```
→ emacs myfile &
[2] 28090
```

The shell's response includes the job number (2) and the process ID of the command (28090).

---

## ^Z

Typing `^Z` in a shell, while a job runs in the foreground, suspends that job. It simply stops running, but its state is remembered:

```
→ sleep 10                               Waits for 10 seconds
^Z
[1]+  Stopped    sleep 10
→
```

Now you're ready to run `bg` to put the `sleep` command into the background, or `fg` to resume it in the foreground. You could also leave it suspended and run other commands.

---

## suspend

`stdin` `stdout` `-file` `--opt` `--help` `--version`

The built-in `suspend` command pauses the current shell if possible, as if you'd applied `^Z` to the shell itself. For instance, if you create a superuser shell with `sudo` and want to return to your original shell, `suspend` pauses the superuser shell:

```
→ whoami
smith
→ sudo bash Run a superuser shell
[sudo] password: xxxxxxxx
# whoami
root
# suspend Suspend the superuser shell
[1]+ Stopped sudo bash
→ whoami Back to the original shell
smith
```

---

## bg

`stdin` `stdout` `-file` `--opt` `--help` `--version`

`bg [%job]`

The built-in command `bg` sends a suspended job to run in the background. With no arguments, `bg` operates on the most recently suspended job. To specify a particular job (shown by the `jobs` command), supply the job number or name preceded by a percent sign:

```
→ bg %2 Send job 2 to the background
→ bg %cat Send job beginning with "cat" to the background
```

Some types of interactive jobs cannot remain in the background—for instance, if they are waiting for input. If you try, the shell suspends the job and displays:

```
[2]+ Stopped      command line here
```

Now resume the job (with `fg`) and continue.

---

**fg** stdin stdout -file --opt --help --version

`fg [%job]`

The built-in command `fg` brings a suspended or backgrounded job into the foreground. With no arguments, it selects a job, usually the most recently suspended or backgrounded one. To specify a particular job (as shown by the `jobs` command), supply the job number or name preceded by a percent sign:

- **fg %2** *Bring job 2 into the foreground*
- **fg %cat** *Bring job beginning with “cat” into the foreground*

---

**disown** stdin stdout -file --opt --help --version

`disown [-ar] [-h] [%job]`

The built-in command `disown` tells your current shell to “forget” a job. The Linux processes behind the job keep running—you just can’t control them anymore with `bg`, `fg`, `jobs`, and other job-related commands. This is useful for long jobs that you don’t need to interact with, or jobs that should keep running after your shell exits. See also `nohup` in “Controlling Processes” on page 169.

- **disown %2** *Forget job #2*
- **disown %cat** *Forget job beginning with “cat”*
- **disown -h %2** *Mark job #2 to keep running after shell exits*
- **disown -r** *Forget all running jobs*
- **disown -a** *Forget all jobs*

## Running Multiple Shells at Once

Job control can manage several commands at once, but only one can run in the foreground at a time. More powerfully, you can run multiple shells at once, each with a foreground command and any number of background commands.

If your Linux computer runs a window system such as KDE or GNOME, you can easily run many shells at the same time by opening multiple shell windows (see “[Launching a Shell](#)” on [page 21](#)). In addition, certain shell window programs, such as KDE’s `konsole`, can open multiple tabs within a single window, each one running a shell.

Even without a window system—say, over an SSH network connection—you can manage multiple shells at once. The `tmux` command simulates multiple shell windows in an ordinary ASCII terminal. Using special keystrokes, you can switch from one virtual window to another at will. (Another such program is `screen`, but `tmux` is better maintained and easier to configure.) To begin a session with `tmux`, run:

→ `tmux`

A new shell launches with an extra status bar at the bottom of the terminal, indicating that you’re running one virtual window. The `tmux` program provides 10 such windows by default, labeled from 0 to 9, that you may switch between. Each window runs a single shell at first, but you can split a window into multiple “panes” to display multiple shells at once. Try these keystrokes to get the hang of `tmux`:

1. In the current `tmux` window, run `ls`.
2. Press `^Bc` (Ctrl-B, then press c). `tmux` displays a fresh shell prompt in a second virtual window. The status bar changes to show two virtual windows numbered 0 and 1.
3. In this second window, run a different command (say, `df`).
4. Press `^Bn` and you’ll switch back to window 0, where your output from `ls` is now visible again.



5. Press `^Bn` a few more times to toggle between the two virtual windows.
6. Press `^B%` to split the current window into two panes side by side.
7. Press `^B"` to split the current pane into two, vertically. You're now viewing three shells in separate panes.

Most aspects of `tmux` are configurable in the file `~/.tmux_conf`, even the choice of `^B` as the prefix key. Here are common keystroke commands:

Keystroke	Meaning
<code>^B?</code>	Display online help. Press "q" to quit.
<code>^Bc</code>	Create a window.
<code>^B0, ^B1 ... ^B9</code>	Switch to window 0 through 9, respectively.
<code>^Bn</code>	Switch to the next window, numerically.
<code>^Bp</code>	Switch to the previous window, numerically.
<code>^BL</code>	Switch to the most recently used window.
<code>^B%</code>	Split into two panes side by side.
<code>^B"</code>	Split into two panes top and bottom.
<code>^Bo</code>	Jump to the next pane.
<code>^B left arrow</code>	Jump to the pane to the left.
<code>^B right arrow</code>	Jump to the pane to the right.
<code>^B up arrow</code>	Jump to the pane above.
<code>^B down arrow</code>	Jump to the pane below.
<code>^Bq</code>	Display pane numbers for reference.
<code>^Bx</code>	Kill the current pane.
<code>^B^B</code>	Send a true Ctrl-B to your shell, ignored by <code>tmux</code> .
<code>^B^Z</code>	Suspend <code>tmux</code> .

Keystroke	Meaning
<code>^Bd</code>	“Detach” from a <code>tmux</code> session and return to your original shell. To return to <code>tmux</code> , run <code>tmux attach</code> .
<code>^D</code>	Terminate a shell in a window or pane. This is the ordinary “end of file” keystroke, explained in <a href="#">“Terminating a Shell” on page 58</a> , which closes any shell.
<code>^B:kill-session</code>	Kill all windows and terminate <code>tmux</code> .

A few notes about running `tmux`:

- If shells within `tmux` are missing your aliases, variables, or other shell settings, that’s because `tmux` runs a login shell that does not source your `.bashrc` initialization file. It only sources your startup file (`.bash_profile`, `.bash_login`, or `.profile`). To correct this issue, append these lines to your startup file:
 

```
# Source my .bashrc file
if [ -f ~/.bashrc ]; then
    . ~/.bashrc
fi
```
- If you run a text editor, `tmux` captures all `Ctrl-B` keystrokes, even those intended as editing commands. Press `^B^B` to send a true `Ctrl-B` to your editor.
- Don’t run `tmux` locally on a graphical desktop; run multiple shell windows instead. It’s easier and avoids a problem: if you’ve configured your shell to run commands on logout (for example, in the file `~/.bash_logout`), `tmux`’s shells will run those commands on exit, even though you haven’t logged out of the desktop. This may have unwanted effects on your desktop login session.

## Killing a Command in Progress

To kill a foreground command immediately, press `^C`. Here I kill the `cat` command as it prints a huge file:

→ **cat hugefile**

```
Lorem ipsum dolor sit amet, consectetur adipiscing
odio. Praesent libero. Sed cursus ante dapibus diam.
quis sem at nibh elementum blah blah blah ^C
```

→

To kill a background command, bring it into the foreground with `fg` and then press `^C`:

→ **sleep 50 &**

```
[1] 12752
```

→ **jobs**

```
[1]-  Running          sleep 50 &
```

→ **fg %1**

```
sleep 50
```

```
^C
```

→

or run the `kill` command described in [“Controlling Processes” on page 169](#). The keystroke `^C` is a shell feature. It has no effect on programs that “catch” `^C` and do not terminate, like text editors and GUI applications. Use `kill` for those.

### Surviving a Kill

Killing a command with `^C` may leave your shell in an odd or unresponsive state, because the killed program could not close itself properly. A common symptom is not displaying the keystrokes you type. To fix the shell, follow these steps:

1. Press `^J` to get a shell prompt. This keystroke may work even if pressing `Enter` does not.
2. Type the command `reset` (even if the letters don’t appear while you type) and press `^J` to run it. Your shell should return to normal.

## Terminating a Shell

To terminate a shell, either run the `exit` command:

→ `exit`

or press `^D` on a line by itself. The keystroke `^D` sends an “end of file” signal to any program reading from standard input. This includes the shell itself.

## Tailoring Shell Behavior

Several files in your home directory control the behavior of bash shells. The startup files `.bash_profile`, `.bash_login`, and `.profile` contain commands that run each time you log in. (Choose just one startup file and stick with it. I recommend `.bash_profile` because some other shells also use `.profile`.) Commands in the initialization file `.bashrc` run every time you launch an interactive shell, and commands in `.bash_logout` run each time you log out. All these files can set variables, run programs, print silly messages, or whatever you like. Other Linux shells use other configuration files as shown in [Table 1-1](#).

Table 1-1. Shell configuration files in `$HOME` and when they are read

Shell	On login	By other interactive shells	On logout
bash	<code>.bash_profile</code> , <code>.bash_login</code> , <code>.profile</code>	<code>.bashrc</code>	<code>.bash_logout</code>
dash	<code>.profile</code>		
fish	<code>.config/fish/config.fish</code>	<code>.config/fish/config.fish</code>	
ksh <sup>a</sup>	<code>.profile</code> , <code>.kshrc</code>	<code>.kshrc</code>	
tcsh	<code>.tcshrc</code> , <code>.cshrc</code> , <code>.login</code>	<code>.tcshrc</code> , <code>.cshrc</code>	
zsh <sup>a</sup>	<code>.zshenv</code> , <code>.zprofile</code> , <code>.zlogin</code>	<code>.zshenv</code> , <code>.zshrc</code>	<code>.zlogout</code>

<sup>a</sup> To override these file paths with environment variables, see the manpage.

Other shell configuration files live in `/etc` for system-wide control; see the respective *manual page*, or manpage, for each shell. All these configuration files are examples of *shell scripts*:

executable files that contain shell commands. I cover this feature in more detail in “Programming with Shell Scripts” on page 311.

## Getting Help

If you need more information than this book provides, here are several ways to get more help:

### *Run the man command*

The `man` command displays documentation for a given program. For example, to learn about counting words in a file with `wc`, run:

```
→ man wc
```

To search for manual pages (manpages) by keyword for a particular topic, use the `-k` option followed by the keyword:

```
→ man -k database
```

If the list of manpages is longer than the screen, pipe it to `less` to display it in pages (press `q` to quit):

```
→ man -k database | less
```

### *Run the info command*

The `info` command is an extended, hypertext help system covering many Linux commands.

```
→ info ls
```

While `info` runs, some useful keystrokes are:

- To get help, press `h`
- To quit, press `q`
- To page forward and backward, use the space bar and Backspace key, respectively
- To jump between hyperlinks, press `Tab`
- To follow a hyperlink, press `Enter`

If `info` has no documentation on a given command, it displays the command's manpage. For a listing of available documentation, type `info` by itself. To learn how to navigate the `info` system, run `info info`.

*Use the --help option (if any)*

Many Linux commands respond to the option `--help` or `-h` by printing a short help message. Try:

```
→ wc --help
```

If the output is longer than the screen, pipe it into `less`:

```
→ wc --help | less
```

*Examine the directory /usr/share/doc*

This directory contains supporting documents for programs, usually organized by name and version. For example, files for the editor Emacs version 28 are likely found (depending on distro) in `/usr/share/doc/emacs28`.

*Distro-specific websites*

Most Linux distros have an official site with documentation, discussion forums, and other resources. Search the web for your distro name (e.g., “Ubuntu”) to find its website. The [Arch Linux wiki](#) is particularly informative regardless of your distro.

*Linux help sites*

Ask Linux questions at [cunix.stakexchange.org](http://cunix.stakexchange.org), [linuxquestions.org](http://linuxquestions.org), [itsfoss.community](http://itsfoss.community), and [nixcraft.com](http://nixcraft.com).

*Web search*

To decipher a Linux error message, paste it into a search engine, verbatim, optionally surrounded by double quotes.

This concludes my basic overview of Linux and the shell. Now let's turn to the specifics of Linux commands. The rest of the book lists and describes the most useful commands to work with files, processes, users, networking, multimedia, and more.

---

# File Commands

## Basic File Operations

- `ls` List files in a directory.
- `cp` Copy a file.
- `mv` Move (rename) a file.
- `rm` Remove (delete) a file.
- `ln` Create links (alternative names) to a file.

One of the first things you'll do on a Linux system is manipulate files: copying, renaming, deleting, and so forth.

---

**ls** `stdin stdout -file --opt --help --version`

`ls [options] [files]`

The `ls` command (pronounced as it is spelled, *ell ess*) lists attributes of files and directories. You can list files in the current directory:

→ `ls`

in given directories:

```
→ ls dir1 dir2 dir3
```

or individually:

```
→ ls myfile myfile2 myfile3
```

---

### TIP

If `ls` behaves differently than you expect, your distro may have defined an alias for `ls` (see “Aliases” on page 42). Check for an alias by running this command:

```
→ alias ls
alias ls='/bin/ls -FHN'      Yes, there's an alias
```

To run the original command rather than the alias, prepend a backslash (`\ls`). To remove the alias, run `unalias ls`. Then look in your shell configuration files for the alias definition (see “Tailoring Shell Behavior” on page 58) and remove it. If you don’t see a definition, either add the command `unalias ls` or define a new alias that works the way you want, like `alias ls="/bin/ls"`.

---

The most important `ls` options are `-a`, `-l`, and `-d`. By default, `ls` hides files whose names begin with a dot, as explained in the sidebar “Dot Files” on page 38. The `-a` option displays all files. Depending on your account settings, `ls` will list dot files at the beginning (sorting based on the dot) or mix them into the listing (sorting based on the character after the dot).

```
→ ls
myfile  myfile2
→ ls -a
.hidden_file  myfile  myfile2
```



The `-l` option produces a long listing:

```
→ ls -l myfile  
-rw-r--r-- 1 smith users 1168 Oct 28 2015 myfile
```

that includes, from left to right: the file's permissions (`-rw-r--r--`), number of hard links (1), owner (smith), group (users), size (1168 bytes), last modification date (Oct 28 2015) and name. See [“File Permissions” on page 35](#) for more information on these attributes.

The `-d` option lists information about a directory itself, rather than descending into the directory to list its files:

```
→ ls -ld dir1  
drwxr-xr-x 1 smith users 4096 Oct 29 2015 dir1
```

## Useful options

- a List all files, including those whose names begin with a dot.
- l Long listing, including file attributes. Add the `-h` option (human-readable) to print file sizes in KB, MB, and GB, instead of bytes.
- h In a long listing, print file sizes in friendly KB, MB, and other human-readable terms, instead of bytes.
- G In a long listing, don't print the group ownership of the file.
- F Decorate filenames with meaningful symbols, indicating their types. Appends `"/` to directories, `"*` to executables, `"@` to symbolic links, `"|` to named pipes, and `"=` to sockets. These are just visual indicators, not part of the filenames!
- S Sort files by their size.
- t Sort files by the time they were last modified.
- r Reverse the sorted order.
- R If listing a directory, list its contents recursively.
- d If listing a directory, do not list its contents, just the directory itself.

---

**cp** stdin stdout -file --opt --help --version

`cp [options] source_file destination_file`

`cp [options] (files | directories) directory`

The `cp` command copies one file to another:

→ **cp myfile anotherfile**

or copies multiple files into a directory (say *mydir*):

→ **cp myfile myfile2 myfile3 mydir**

Use the `-a` or `-r` option to copy directories recursively, including all subdirectories and their contents. For more sophisticated copying, see `rsync` in “Backups and Remote Storage” on page 241.

## Useful options

- p Copy not only the file contents, but also the file’s permissions, timestamps, and, if you have sufficient permission to do so, its owner and group. (Otherwise, you own the copies, the timestamp is now, and permissions are set by applying your `umask` to the original permissions.)
- a Copy a directory hierarchy recursively, preserving all file attributes and links.
- r Copy a directory hierarchy recursively. This option does not preserve the files’ attributes such as permissions and timestamps. It does preserve symbolic links.
- i Interactive mode. Ask before overwriting destination files.
- f Force the copy. If a destination file exists, overwrite it unconditionally.

---

**mv** stdin stdout -file --opt --help --version

`mv [options] sources target`

The `mv` (move) command renames a file:

→ **mv somefile yetanotherfile**

or moves files and directories into a destination directory:

```
→ mv myfile myfile2 dir1 dir2 destination_directory
```

## Useful options

- i Interactive mode. Ask before overwriting destination files.
- f Force the move. If a destination file exists, overwrite it unconditionally.

---

## rm

stdin stdout -file --opt --help --version

```
rm [options] files | directories
```

The `rm` (remove) command deletes files:

```
→ rm deleteme deleteme2
```

or recursively deletes directories:

```
→ rm -r dir1 dir2
```

---

### WARNING

Use `rm -r` with caution. It can quickly destroy large numbers of files, especially when combined with `-f` to suppress prompts and ignore errors.

Use `sudo rm -r` with *extreme* caution. It can destroy your whole operating system.

---

## Useful options

- i Interactive mode. Ask for confirmation before deleting each file.
- f Force the deletion, ignoring any errors or warnings.
- r Recursively remove a directory and its contents.

```
ln [options] source target
```

The `ln` command creates a *link*, which lets a file live at more than one location in the filesystem at once. There are two kinds of links, illustrated in [Figure 2-1](#). A *hard link* is a second name for the same physical file on disk. In tech jargon, both refer to the same *inode*, a data structure that locates a file's content on disk. The following command creates a hard link, *myhardlink*, to the file named *myfile*:

```
→ ln myfile myhardlink
```

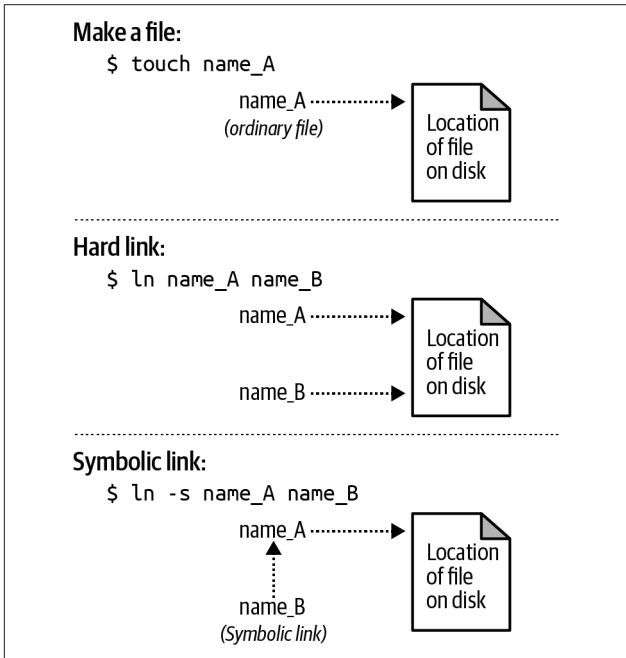


Figure 2-1. A hard link points to a file's data. A symbolic link points to a file's path.

A *symbolic link* (also called a *symlink* or *soft link*) is a pointer to the *path* (not the inode) of another file or directory. If you're familiar with Windows shortcuts or macOS aliases that point to another file or folder, they are much like symbolic links. To create a symbolic link, add the `-s` option:

```
→ ln -s myfile mysoftlink
```

Hard and symbolic links have important differences:

- If you rename or delete the original file, a hard link is not affected: it still points to the same *data* that the original file did. A symbolic link breaks, however. It still points to the original file's *path*, which no longer exists. The symbolic link is now “dangling,” and if you use it in a command, you'll probably receive a “file not found” error.
- Hard links can exist only on the same device as the original file because inodes have meaning only on a single device. Symbolic links can point to files on other devices because they refer to file paths, not file data.
- Symbolic links can point to directories, whereas hard links generally cannot. (On some filesystems, the superuser can create a hard link to a directory with the `-d` option.)

## Useful options

- s Make a symbolic link instead of a hard link.
- i Interactive mode. Ask before overwriting target files.
- f Force the link. If the target already exists, overwrite it unconditionally.
- b Create a backup. If the target already exists, rename it by appending a tilde, then create the link.
- d Create a hard link to a directory if possible (superusers only).

To find out where a symbolic link points, run either of the following commands, which show that the link *examplelink* points to the file *myfile*:

```
→ readlink examplelink
myfile
→ ls -l examplelink
lrwxrwxrwx 1 smith    ...    examplelink -> myfile
```

Symbolic links can point to other symbolic links. To follow an entire chain of links to discover where they point in the end, use `readlink -f`.

## Directory Operations

<code>cd</code>	Change your current directory.
<code>pwd</code>	Print the name of your current directory.
<code>basename</code>	Print the final part of a file path, usually the filename.
<code>dirname</code>	Print a file path without its final part.
<code>mkdir</code>	Create (make) a directory.
<code>rmdir</code>	Delete (remove) an empty directory.
<code>rm -r</code>	Delete a nonempty directory and its contents.

I discussed the directory structure of Linux in “[The Filesystem](#)” on page 27. Let’s cover commands that create, modify, delete, and manipulate directories within that structure.

---

**cd** `stdin stdout -file --opt --help --version`

`cd [directory]`

The `cd` (change directory) command sets the current directory of your shell:

```
→ cd /usr/games
```

With no directory supplied, `cd` defaults to your home directory:

```
→ cd
```

If the supplied directory is a dash (`-`), `cd` returns to the previous directory it visited in the current shell and prints its path.

```
→ cd /etc           Start in /etc
→ cd /bin           Go somewhere else
→ cd -              Return to /etc
/etc
```

---

**pwd** `stdin` `stdout` `-file` `--opt` `--help` `--version`

`pwd`

The `pwd` command (“print working directory”) prints the absolute path of your current directory:

```
→ pwd
/users/smith/linuxpocketguide
```

---

**basename** `stdin` `stdout` `-file` `--opt` `--help` `--version`

`basename path [extension]`

The `basename` command prints the final part of a file path. The path doesn’t have to exist in your filesystem.

```
→ basename /users/smith/finances/money.txt
money.txt
→ basename any/string/you/want           Arbitrary string
want
```

If you provide an optional extension, it is stripped from the result:

```
→ basename /users/smith/finances/money.txt .txt
money
```

---

## dirname

stdin stdout -file --opt --help --version

dirname *path*

The `dirname` command prints a file path with its final part removed:

```
→ dirname /users/smith/mydir  
  /users/smith
```

`dirname` does not change your shell's current directory. It manipulates and prints a string, just like `basename` does.

---

## mkdir

stdin stdout -file --opt --help --version

mkdir [*options*] *directories*

`mkdir` creates one or more directories:

```
→ mkdir directory1 directory2 directory3
```

### Useful options

-p Given a directory path (not just a simple directory name), create any necessary parent directories automatically. The command:

```
→ mkdir -p one/two/three
```

creates directories *one* and *one/two* and *one/two/three* if they don't already exist.

-m *mode* Create the directory with the given permissions:

```
→ mkdir -m 0755 publicdir
```

By default, your shell's `umask` controls the permissions. See the `chmod` command in ["Properties of Files" on page 83](#), and ["File Permissions" on page 35](#).



---

## rmdir

stdin stdout -file --opt --help --version

rmdir [*options*] *directories*

The `rmdir` (remove directory) command deletes one or more empty directories given as arguments:

- `mkdir /tmp/junk`     *create a directory*
- `rmdir /tmp/junk`     *delete it*

### Useful options

- p If you supply a directory path (not just a simple directory name), delete not only the given directory, but the specified parent directories automatically, all of which must be empty. So `rmdir -p one/two/three` deletes not only *one/two/three*, but also *one/two* and *one*.

To delete a nonempty directory and its contents, carefully run `rm -r directory`. Use `rm -ri` to delete interactively, or `rm -rf` to annihilate whole trees without error messages or confirmation.

## Viewing Files

- `cat`     View files in their entirety.
- `less`    View text files one page at a time.
- `nl`     View text files with their lines numbered.
- `head`    View the first lines of a text file.
- `tail`    View the last lines of a text file.
- `strings` Display text that's embedded in a binary file.
- `od`     View data in octal (base 8) or other formats.

Some files contain readable text, and others contain binary data. Let's see how to display their contents in basic ways.

---

## cat

`stdin stdout -file --opt --help --version`

`cat [options] [files]`

The simplest viewer is `cat`, which just prints its files to standard output, concatenating them (hence the name):

- `cat myfile` *Print one file on screen*
- `cat myfile*` *Print many files*
- `cat myfile* | wc` *Concatenate files and pipe the text to wc*

If a file contains more lines than your screen can display, use `less` to present the output one screenful at a time.

### Useful options

- T Print tabs as `^I`.
- E Print newlines as `$`.
- v Print other nonprinting characters in a human-readable format.
- n Prepend line numbers to every line. (The `nL` command is more powerful.)
- b Prepend line numbers to nonblank lines.
- s Squeeze consecutive blank lines into a single blank line.

---

## less

`stdin stdout -file --opt --help --version`

`less [options] [files]`

Use `less` to view text one “page” at a time (i.e., one window or screenful at a time):

- `less myfile`

It’s great for long text files or as the final command in a shell pipeline with lengthy output:

- `command1 | command2 | command3 | command4 | less`

While running `less`, press `h` for a help message describing all its features. Here are some useful keystrokes for paging:

Keystroke	Meaning
<code>h, H</code>	View a help page.
<code>Space bar, f, ^V, ^F</code>	Move forward one screenful.
<code>Enter</code>	Move forward one line.
<code>b, ^B, ESC-v</code>	Move backward one screenful.
<code>/</code>	Search mode. Type a regular expression and press <code>Enter</code> , and <code>less</code> locates the first matching line.
<code>?</code>	Same as <code>/</code> , but search backward.
<code>n</code>	Next match: Repeat your most recent search forward.
<code>N</code>	Repeat your most recent search backward.
<code>v</code>	Edit the current file with your default text editor (the value of environment variable <code>VISUAL</code> , or if not defined, <code>EDITOR</code> , or if not defined, the system default editor).
<code>&lt;, g</code>	Jump to beginning of file.
<code>&gt;, G</code>	Jump to end of file.
<code>:n</code>	Jump to next file.
<code>:p</code>	Jump to previous file.

`less` has a mind-boggling number of features; I'm presenting only the most common. (For instance, in many distros, `less` can display the contents of a ZIP file: try `less zipfile.zip`.) The `manpage` is recommended reading.

## Useful options

- c Clear the screen before displaying the next page. This avoids scrolling and may be more comfortable on the eyes.
- m Print a verbose prompt showing the percentage of the file displayed so far.
- N Display line numbers.

- r Display control characters literally; normally `less` converts them to a human-readable format.
- s Squeeze multiple, adjacent blank lines into a single blank line.
- S Truncate long lines to the width of the screen, instead of wrapping.

---

**n1** `stdin stdout -file --opt --help --version`

`n1 [options] [files]`

`n1` prints files on standard output with line numbers:

→ `n1 poem`

- 1 Once upon a time, there was
- 2 a little operating system named
- 3 Linux, which everybody loved.

`n1` provides more control over numbering than `cat -n`.

## Useful options

- b [a|t|n|pR] Number all lines (a), nonblank lines (t), no lines (n), or only lines that contain regular expression *R*. (Default=a)
- v *N* Begin numbering with integer *N*. (Default=1)
- i *N* Increment by *N* for each line. For example, print odd numbers only (-i2) or even numbers only (-v2 -i2). (Default=1)
- n [ln|rn|rz] Format numbers as left-justified (ln), right-justified (rn), or right-justified with leading zeros (rz). (Default=ln)
- w *N* Force the width of the number to be *N* columns. (Default=6)
- s *S* Insert string *S* between the line number and the text. (Default=Tab)

---

## head

stdin stdout -file --opt --help --version

head [*options*] [*files*]

The head command prints the first 10 lines of a file, which is great to preview the contents:

- **head myfile**
- **head myfile\* | less** *Previewing multiple files*

It's also helpful for previewing output from a pipeline. List the 10 most recently modified files in the current directory:

- **ls -lta | head**

### Useful options

- n *N* Print the first *N* lines instead of 10.
- N* Same as -n *N*.
- c *N* Print the first *N* bytes of the file.
- q Quiet mode: when processing more than one file, don't print a banner (containing the filename) above each file.

---

## tail

stdin stdout -file --opt --help --version

tail [*options*] [*files*]

The tail command prints the last 10 lines of a file:

- **tail myfile**
- **nl myfile | tail** *See line numbers too*

The ultra-useful -f option causes tail to watch a file actively while another program writes to it, displaying new lines as they are written. This is invaluable for watching a Linux logfile that's in active use:

- **tail -f /var/log/syslog** *Or another logfile*

## Useful options

- n *N* Print the last *N* lines of the file instead of 10.
- N Same as -n *N*.
- n +*N* Print from line *N* to the end of the file.
- +*N* Same as -n +*N*.
- c *N* Print the last *N* bytes of the file.
- f Keep the file open, and whenever lines are appended to the file, print them. Add the --retry option if the file doesn't exist yet. ^C to quit.
- q Quiet mode: when processing more than one file, don't print a banner (containing the filename) above each file.

---

## strings

**stdin stdout -file --opt --help --version**

`strings [options] [files]`

Binary files, such as compiled programs, usually contain some readable text, like version information, authors' names, and file paths. The strings command extracts that text:

```
→ strings /bin/bash
/lib64/ld-linux-x86-64.so.2
@(#)Bash version 5.1.16(1) release GNU
comparison operator expected, found '%s'
:
```

Combine strings -n and grep to make your exploring more efficient. Let's look for email addresses:

```
→ strings -n 10 /bin/bash | grep @
bash-maintainers@gnu.org
```

## Useful options

- n *length* Display only strings with length greater than *length* (default=4).
- f Prepend the filename to each line of output.

---

## od

`stdin stdout -file --opt --help --version`

`od [options] [files]`

To view binary files, consider `od` (octal dump) for the job. It displays their data in ASCII, octal, decimal, hexadecimal, or floating point, in various sizes (byte, short, long). For example, this command:

```
→ od -w8 /usr/bin/who
00000000 042577 043114 000402 000001
0000010 000000 000000 000000 000000
0000020 000003 000076 000001 000000
:
```

displays the bytes in binary file `/usr/bin/who` in octal, eight bytes per line. The leftmost column is the file offset of each row, again in octal.

If your binary file also contains text, consider the `-tc` option, which displays character data. For example, binary executables like `who` contain the string “ELF” at the beginning:

```
→ od -tc -w8 /usr/bin/who | head -3
00000000 177  E  L  F 002 001 001  \0
0000010  \0  \0  \0  \0  \0  \0  \0
0000020 003  \0  >  \0 001  \0  \0  \0
```

## Useful options

- `-N B` Display the first *B* bytes of each file, specified in decimal, hexadecimal (by prepending `0x`), 512-byte blocks (append `b`), KB (append `k`), or MB (append `m`).
- `-j B` Begin the output at byte *B* + 1 of each file; acceptable formats are the same as for the `-N` option. (Default=0)
- `-w [B]` Display *B* bytes per line; acceptable formats are the same as in the `-N` option. Using `-w` by itself is equivalent to `-w32`. (Default=16)

- s [*B*]            Group each row of bytes into sequences of *B* bytes, separated by whitespace; acceptable formats are the same as in the -N option. Using -s by itself is equivalent to -s3. (Default=2)
- A (d|o|x|n)      Display file offsets in the leftmost column, in decimal (d), octal (o), hexadecimal (x), or not at all (n). (Default=o)
- t(a|c)[z]        Display output in a character format, with nonalphanumeric characters printed as escape sequences (c) or by name (a).
- t(d|o|u|x)[z]    Display output in an integer format: octal (o), signed decimal (d), unsigned decimal (u), hexadecimal (x).

Appending *z* to the -t option displays the printable characters on each line in a column on the right side.

## Creating and Editing Files

`nano`    A simple text editor found in virtually all Linux distros.

`emacs`   A powerful text editor from Free Software Foundation.

`vim`     A powerful text editor based on Unix `vi`.

To get far with Linux, you must become proficient with one of its text editors. The three major ones are nano, Emacs, and Vim. Teaching these editors fully is beyond the scope of this book, but they all have online tutorials, and common operations are in [Table 2-1](#). To edit a file, run any of these commands:

- `nano myfile`
- `emacs myfile`
- `vim myfile`

If *myfile* doesn't exist, the editor creates it.

Linux also has fine programs to edit Microsoft Office documents: LibreOffice (all documents), AbiWord (Word only), and Gnumeric (Excel only). Some are probably included in your distro, or you can find them easily through web search.



## Creating a File Quickly

Text editors create files on request, but you can also create an empty file (for later editing) at the command line with the touch command:

→ **touch newfile**                    *Create newfile if it doesn't exist*

or use output redirection (see “**Input, Output, and Redirection**” on page 43) to create a file with or without contents:<sup>1</sup>

→ **echo -n > newfile2**            *Echo the empty string to a file*

→ **> newfile3**                        *Redirect nothing to a file*

→ **ls > newfile4**                    *Redirect a command's output to a file*

## Your Default Editor

Various Linux programs run an editor when necessary. For example, your email program may invoke an editor to compose a new message, and less invokes an editor if you press “v.” Usually the default editor is nano or Vim. But what if you want a different default editor? Set the environment variables VISUAL and EDITOR to your choice, for example:

→ **EDITOR=emacs**

→ **VISUAL=emacs**

→ **export EDITOR VISUAL**

Both variables are necessary because different programs check one variable or the other. Set them in a bash configuration file if you want your choices to stick. Any program can be your default editor if it accepts a filename as an argument.

Regardless of how you set these variables, I recommend learning basic commands for all three editors in case another program unexpectedly invokes one on a critical file.

---

<sup>1</sup> The -n option of echo suppresses the newline character.

---

## nano

`stdin stdout -file --opt --help --version`

`nano [options] [files]`

Nano is a basic text editor included in most Linux distros. To invoke nano to edit a file, run:

→ **nano myfile**

To list all nano keystrokes and commands, press `^G`.

Nano commands generally involve holding down the control key and typing a letter, such as `^o` to save and `^x` to quit. Nano helpfully displays common commands at the bottom of its edit window, though some of the vocabulary is a little obscure. (For example, nano uses the term “WriteOut” to mean “save file.”) Other commands involve the *meta* key, which is usually the Escape key or the Alt key. Nano’s own documentation notates the meta key as `M-` (as in `M-F` to mean “use the meta key and type F”), so this book does the same. For basic keystrokes, see [Table 2-1](#). For more documentation, visit [https://oreil.ly/p\\_Pvk](https://oreil.ly/p_Pvk).

---

## emacs

`stdin stdout -file --opt --help --version`

`emacs [options] [files]`

Emacs is an extremely powerful editing environment with thousands of commands, including a rich programming language to define your own editing features. To invoke Emacs to edit a file, run:

→ **emacs myfile**

On a graphical desktop, Emacs opens a window. To launch Emacs without opening a window, run:

→ **emacs -nw myfile**

Once Emacs is running, invoke its built-in tutorial by pressing `^h t`.

Most Emacs keystroke commands involve the control key (like ^F) or the *meta* key, which is usually the Escape key or the Alt key. Emacs’s own documentation notates the meta key as M- (as in M-F to mean “use the meta key and type F”), so this book does the same. For basic keystrokes, see [Table 2-1](#).

---

## vim

stdin stdout -file --opt --help --version

vim [options] [files]

Vim is an enhanced version of the old standard Unix editor vi. To invoke Vim to edit a file, run:

→ **vim myfile**

Normally, Vim runs in an existing shell or shell window. To launch Vim on a graphical desktop in a new window, run:

→ **gvim myfile**

To run the Vim tutorial from the shell, run:

→ **vimtutor**

Vim operates in two modes, *insert* and *command*, and you switch between them while editing. *Insert mode* is for entering text in the usual manner, while *command mode* is for deleting text, copy/paste, and other operations. For basic keystrokes in command mode, see [Table 2-1](#).

Table 2-1. Basic keystrokes in text editors

Task	Emacs	Nano	Vim
Type text	Just type	Just type	Switch to insert mode if necessary, by typing i, then type any text
Save and quit	^X^S then ^X^C	^O then ^X	:wq

Task	Emacs	Nano	Vim
Quit without saving	<code>^X^c</code> then respond “no” when asked to save buffers	<code>^x</code> then respond “no” when asked to save	<code>:q!</code>
Save	<code>^X^s</code>	<code>^o</code>	<code>:w</code>
Save As	<code>^X^w</code>	<code>^o</code> , then type a filename	<code>:w filename</code>
Undo	<code>^/</code> or <code>^X u</code>	<code>M-u</code>	<code>u</code>
Suspend editor (not in X)	<code>^z</code>	<code>^z</code>	<code>^z</code>
Switch to insert mode	(N/A)	(N/A)	<code>i</code>
Switch to command mode	(N/A)	(N/A)	ESC
Switch to command-line mode	<code>M-x</code>	(N/A)	<code>:</code>
Abort command in progress	<code>^g</code>	<code>^c</code>	ESC
Move forward	<code>^f</code> or right arrow	<code>^F</code> or right arrow	<code>l</code> or right arrow
Move backward	<code>^b</code> or left arrow	<code>^B</code> or left arrow	<code>h</code> or left arrow
Move up	<code>^p</code> or up arrow	<code>^P</code> or up arrow	<code>k</code> or up arrow
Move down	<code>^n</code> or down arrow	<code>^N</code> or down arrow	<code>j</code> or down arrow
Move to next word	<code>M-f</code>	<code>^SPACE</code>	<code>w</code>
Move to previous word	<code>M-b</code>	<code>M-SPACE</code>	<code>b</code>
Move to beginning of line	<code>^a</code>	<code>^a</code>	<code>0</code>
Move to end of line	<code>^e</code>	<code>^e</code>	<code>\$</code>
Move down one screen	<code>^v</code>	<code>^v</code>	<code>^f</code>
Move up one screen	<code>M-v</code>	<code>^y</code>	<code>^b</code>

Task	Emacs	Nano	Vim
Move to beginning of document	M-<	M-\	gg
Move to end of document	M->	M-/	G
Delete next character	^d	^d	x
Delete previous character	BACKSPACE	BACKSPACE	X
Delete next word	M-d	(N/A)	de
Delete previous word	M- BACKSPACE	(N/A)	db
Delete current line	^a^k	^k	dd
Delete to end of line	^k	^k <sup>a</sup>	D
Define region (type this keystroke to mark the beginning of the region, then move the cursor to the end of the desired region)	^SPACE	^^ (Ctrl caret)	v
Cut region	^w	^k	d
Copy region	M-w	M-^	y
Paste region	^y	^u	p
Get help	^h	^g	:he!p
View the manual	^h i	^g	:he!p

<sup>a</sup> Only if nano's cut-to-end feature is enabled by pressing M-k.

## Properties of Files

- stat      Display attributes of files and directories.
- wc        Count bytes, words, and lines in a file.
- du        Measure disk usage of files and directories.
- file      Identify (guess) the type of a file.

mimetype	Identify (guess) the MIME type of a file.
touch	Change timestamps of files and directories.
chown	Change owner of files and directories.
chgrp	Change group ownership of files and directories.
chmod	Change protection mode of files and directories.
umask	Set a default mode for new files and directories.
lsattr	List extended attributes of files and directories.
chattr	Change extended attributes of files and directories.

When examining a Linux file, keep in mind that the contents are only half the story. Every file and directory also has attributes that describe its owner, size, access permissions, and other information. The `ls -l` command (see “[Basic File Operations](#)” on page 61) displays some of these attributes. Other commands let you view and change these and other attributes.

---

## **stat** `stdin stdout -file --opt --help --version`

`stat [options] files`

The `stat` command lists the attributes of files (by default) or filesystems (`-f` option):

```
→ stat myfile
  File: 'myfile'
  Size: 1168          Blocks: 8
  IO Block: 4096   regular file
Device: 811h/2065d   Inode: 37224455   Links: 1
Access: (0644/-rw-r--r--)  Uid: ( 600/lisa)
      Gid: ( 620/users)
Access: 2015-11-07 11:15:14.766013415 -0500
Modify: 2015-11-07 11:15:14.722012802 -0500
Change: 2015-11-07 11:15:14.722012802 -0500
Birth: -
```

Output includes the filename, size in bytes (1168), size in blocks (8), file type (Regular File), permissions in octal (0644), permissions in the format of “ls -l” (-rw-r--r--), owner’s user ID (600), owner’s name (lisa), owner’s group ID (620), owner’s group name (users), device type (811 in hexadecimal, 2065 in decimal), inode number (37224455), number of hard links (1), and timestamps of the file’s most recent access,<sup>2</sup> modification, status change (of file permissions or other metadata), and file creation (“birth”) if available. The output of `stat -f` for a filesystem is:

```
→ stat -f myfile
  File: "myfile"
    ID: f02ed2bb86590cc6 Namelen: 255
  Type: ext2/ext3
Block size: 4096      Fundamental block size: 4096
Blocks: Total: 185788077 Free: 108262724
  Available: 98819461
Inodes: Total: 47202304 Free: 46442864
```

The output includes the filename (*myfile*), filesystem ID (f02ed2bb86590cc6), maximum allowable length of a filename for that filesystem (255 bytes), filesystem type (ext), block size for the filesystem (4096), the counts of total, free, and available blocks in the filesystem (185788077, 108262724, and 98819461, respectively), and the counts of total and free inodes (47202304 and 46442864, respectively).

The `-t` option presents the same data but on a single line, without headings. This format is handy for parsing the output:

```
→ stat -t myfile
myfile 1168 8 81a4 600 620 811 37224455 1 0 0
  1446912914 1446912914 1446912914 0 4096
→ size=$(stat -t myfile | cut -d' ' -f2)
→ echo $size The second value
1168
```

---

<sup>2</sup> Most filesystems no longer update access time, or they do so only when the file is modified.

## Useful options

- L Follow symbolic links and report on the file they point to.
- f Report on the filesystem containing the file, not the file itself.
- t Terse mode: print information on a single line.

---

**wc** *stdin stdout -file --opt --help --version*

wc [*options*] [*files*]

The wc (word count) command prints a count of bytes, words, and lines in (presumably) a text file:

```
→ wc myfile
  18  211 1168 myfile
```

This file has 18 lines, 211 whitespace-delimited words, and 1168 bytes.

## Useful options

- l Print the line count only.
- w Print the word count only.
- c Print the byte count only.
- L Locate the longest line in each file and print its length in bytes.

---

**du** *stdin stdout -file --opt --help --version*

du [*options*] [*files | directories*]

The du (disk usage) command measures the disk space occupied by files or directories. By default, it measures the current directory and all its subdirectories, printing totals in blocks for each, with a grand total at the end:



```
→ du
36  ./Mail
340 ./Files/mine
40  ./Files/bob
416 ./Files
216 ./PC
2404 .
```

*Grand total, in blocks*

It can also measure the size of files:

```
→ du myfile emptyfile hugefile
4      myfile
0      emptyfile
18144 hugefile
```

## Useful options

- b Measure usage in bytes.
- k Measure usage in KB.
- m Measure usage in MB.
- B *N* Display sizes in blocks that you define, where 1 block = *N* bytes. (Default = 1024)
- h Print in human-readable units. For example, if two directories are of size 1 gigabyte or 25 KB, respectively, `du -h` prints 1G and 25K. The `-h` option uses powers of 1024, whereas `-H` uses powers of 1000.
- L Follow symbolic links and measure the files they point to.
- c Print a total in the last line. This is the default behavior when measuring a directory, but to measure individual files, provide `-c` if you want a total.
- s Print total sizes only, not the sizes of subdirectories.

---

## file

`stdin` `stdout` `-file` `--opt` `--help` `--version`

`file` [*options*] *files*

The `file` command reports the type of a file. The output is an educated guess based on the file content and other factors:

```
→ file /etc/hosts /usr/bin/who letter.docx
/etc/hosts:  ASCII text
/usr/bin/who: ELF 64-bit LSB executable ...
letter.docx: Microsoft Word 2007+
```

### Useful options

- b Omit filenames (left column of output).
- i Print MIME types for the file, such as “text/plain” or “audio/mpeg”, instead of the usual output.
- f *name\_file* Read filenames, one per line, from the given *name\_file*, and report their types. Afterward, process filenames on the command line as usual.
- L Follow symbolic links, reporting the type of the destination file instead of the link.
- z If a file is compressed (see “[Compressing, Packaging, and Encrypting](#)” on page 126), examine the uncompressed contents to decide the file type, instead of reporting “compressed data.”

---

## mimetype

`stdin` `stdout` `-file` `--opt` `--help` `--version`

`mimetype` [*options*] *files*

The `mimetype` command, like the `file -i` command, prints the file’s MIME type such as `text/plain` or `application/pdf`, but has more options.

```
→ mimetype photo.jpg sample.pdf zipfile.zip
photo.jpg: image/jpeg
```

sample.pdf: application/pdf  
zipfile.zip: application/zip

## Useful options

- b Omit the leading filenames from the output.
- d Print longer descriptions like “JPEG image” or “ZIP archive.”
- l *language* When provided with the -d option, print the file types in the given language. Language codes are the standard two-letter ones such as de for German and pt for Portuguese.
- L For symbolic links, print the type of the linked file instead of the link itself (type inode/symlink).

---

## touch

`stdin` `stdout` `-file` `--opt` `--help` `--version`

`touch [options] files`

The touch command changes two timestamps associated with a file: its modification time (when the file’s data was last changed) and its access time (when the file was last read). To set both timestamps to the present moment, run:

→ **touch myfile**

You can set these timestamps to arbitrary values, for example:

→ **touch -d "November 18 1975" myfile**

If a given file doesn’t exist, touch creates an empty file of that name (see “[Creating a File Quickly](#)” on page 79).

## Useful options

- a Change the access time only.
- m Change the modification time only.
- c If the file doesn’t exist, don’t create it (normally, touch creates it).

- d *timestamp* Set the file's timestamp(s). Many formats are acceptable, from "12/28/2001 3pm" to "28-May" (the current year is assumed, and a time of midnight) to "next tuesday 13:59" to "0" (midnight today). Experiment and check your work with `stat`. Full documentation is available from `info touch`.
- t *timestamp* Set a file's timestamp precisely with the format `[[CC]YY]MMDDhhmm[.ss]`. *CC* is the two-digit century, *YY* is the two-digit year, *MM* is the two-digit month, *DD* is the two-digit day, *hh* is the two-digit hour, *mm* is the two-digit minute, and *ss* is the two-digit second. For example, `-t 20230812150047` means August 12, 2023 at 15:00:47.

---

## chown

`stdin` `stdout` `-file` `--opt` `--help` `--version`

`chown [options] user_spec files`

The `chown` command changes the owner of files and directories. It requires superuser privileges in most cases. To make user "smith" the owner of several files and a directory, run:

→ `sudo chown smith myfile myfile2 mydir`

The `user_spec` parameter may be any of these possibilities:

<i>user_spec</i>	Meaning
<code>smith</code>	An existing username
<code>1001</code>	A numeric user ID
<code>smith:party</code>	An existing username and group name, separated by a colon
<code>1001:234</code>	Numeric user and group IDs, separated by a colon
<code>:party</code>	An existing group name, preceded by a colon
<code>--reference=file</code>	The same user and group values as file <i>file</i>

---

## Useful options

- dereference Follow symbolic links and operate on the files they point to.
- R Recursively change the owner for a whole directory tree.

---

## chgrp

`stdin stdout -file --opt --help --version`

`chgrp [options] group_spec files`

The `chgrp` (change group) command sets the group ownership of files and directories:

→ **chgrp users myfile myfile2 mydir**

The `group_spec` parameter may be any of these possibilities:

- A group name or numeric group ID
- `--reference=file`, to set the same group ownership as another given file

See “Group Management” on page 192 for more information on groups.

## Useful options

- dereference Follow symbolic links and operate on the files they point to.
- R Recursively change the group for a whole directory tree.

---

## chmod

`stdin stdout -file --opt --help --version`

`chmod [options] permissions files`

The `chmod` (change mode) command protects files and directories from unauthorized users on the same system, by setting access permissions. Typical permissions are read, write, and execute, and they may be limited to the file owner, the file’s

group owner, and/or all other users. The permissions argument can take three different forms:

- `--reference=file`, to set the same permissions as another given file.
- An octal (base 8) number, up to four digits long, that specifies the file's *absolute* permissions in bits, as in **Figure 2-2**. The leftmost digit is special (described later) and the second, third, and fourth represent the file's owner, the file's group, and all users, respectively.
- One or more symbolic strings specifying *absolute or relative* permissions (i.e., relative to the file's current permissions). For example, `a+r` makes a file readable by all users.

The most common octal permissions are:

- `chmod 600 myfile`      *Private file for you*
- `chmod 644 myfile`      *Everyone can read; you can write*
- `chmod 700 mydir`      *Private directory for you*
- `chmod 755 mydir`      *Everyone can read; you can write*

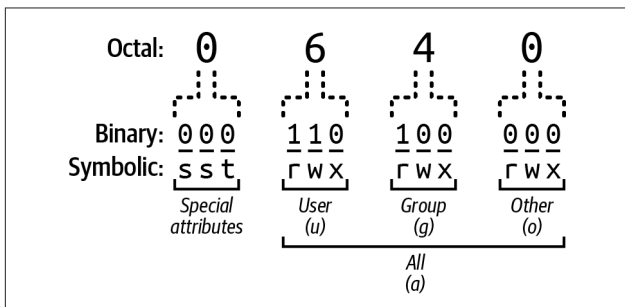


Figure 2-2. File permission bits explained

In the third, symbolic form, each string consists of three parts:

*Scope (optional)*

u for user, g for group, o for other users not in the group, a for all users. The default is a.

## Command

+ to add permissions; - to remove permissions; or = to set absolute permissions, ignoring existing ones.

## Permissions

r for read, w for write/modify, x for execute (for directories, this is permission to cd into the directory), X for conditional execute (explained later), u to duplicate the user permissions, g to duplicate the group permissions, o to duplicate the “other users” permissions, s for setuid (set user ID) or setgid (set group ID), and t for the sticky bit.

For example, ug+rw would add read and write permission for the user and the group, a-x (or just -x) would remove execute permission for everyone, and o=r would directly set the “other users” permissions to read-only. Combine these strings by separating them with commas, such as ug+rw,a-x,o=r.

Conditional execute permission (X) means the same as x, except that it succeeds only if the file is already executable or is a directory. It’s convenient during large-scale chmod operations to change the execute bit on directories but not on files.

Setuid and setgid, when applied to executable files (programs and scripts), have a powerful effect. Suppose you have an executable file *F* owned by user “smith” and the group “friends.” If file *F* has setuid enabled, then anyone who runs *F* “becomes” user “smith,” with all their rights and privileges, for the duration of the program. Likewise, if *F* has setgid enabled, anyone who executes *F* becomes a member of the “friends” group for the duration of the program. As you might imagine, setuid and setgid can impact system security, so don’t use them unless you *really* know what you’re doing. One misplaced chmod +s can leave your system vulnerable to attack.

The sticky bit, most commonly used for */tmp* directories, controls removal of files in that directory. Normally, if you have write permission in a directory, you can delete or move files within it, even if you don’t have this access to the files

themselves. Inside a directory with the sticky bit set, you need write permission on a file to delete or move it.

## Useful option

- R Recursively change permissions for a whole directory tree.

---

## umask

`stdin` `stdout` `-file` `--opt` `--help` `--version`

`umask` [*options*] [*mask*]

The `umask` command sets or displays your shell's default mode for creating files and directories—whether they are readable, writable, and/or executable by yourself, your group, and the world. Print your mask:

- `umask` *Octal output*  
0002
- `umask -S` *Symbolic output*  
u=rwx,g=rwx,o=rX

Running `umask` is a technical operation that requires binary and octal math, but let's begin with simple recipes. Use mask 0022 to give yourself full privileges on new files and directories, and give all other users read and execute privileges only:

- `umask 0022`
- `touch newfile && mkdir newdir`
- `ls -ldG newfile newdir`  
-rw-r--r-- 1 smith 0 Nov 11 12:25 newfile  
drwxr-xr-x 2 smith 4096 Nov 11 12:25 newdir

Use mask 0002 to give yourself and your default group full privileges, and read/execute to others:

- `umask 0002`
- `touch newfile2 && mkdir newdir2`
- `ls -ldG newfile2 newdir2`  
-rw-rw-r-- 1 smith 0 Nov 11 12:26 newfile2  
drwxrwxr-x 2 smith 4096 Nov 11 12:26 newdir2



Use mask 0077 to give yourself full privileges with nothing for anyone else:

```
→ umask 0077  
→ touch newfile3 && mkdir newdir3  
→ ls -ldG newfile3 newdir3  
-rw----- 1 smith      0 Nov 11 12:27 newfile3  
drwx----- 2 smith    4096 Nov 11 12:27 newdir3
```

Now, the technical explanation. A umask is a binary (base two) value, though it is commonly presented in octal (base eight). It defines your default protection mode by combining with the octal value 0666 for files and 0777 for directories, using the binary operation NOT AND. For example, the umask 0002 yields a default file mode of 0664:

```
0666 NOT AND 0002  
= 000110110110 NOT AND 000000000010  
= 000110110110      AND 111111111101  
= 000110110100  
= 0664
```

Similarly for directories, 0002 NOT AND 0777 yields a default mode of 0775.

---

## lsattr

`stdin` `stdout` `-file` `--opt` `--help` `--version`

```
lsattr [options] [files | directories]
```

Linux files have additional attributes beyond their access permissions. For files on an “ext” filesystem (ext3, ext4, etc.), list these extended attributes with the `lsattr` (list attribute) command and change them with `chattr`. For example, this file is immutable (`i`) and undeletable (`u`):

```
→ lsattr attrfile  
-u--i--- attrfile
```

With no files specified, `lsattr` prints the attributes of all files in the current directory. Attributes include:

Attribute	Meaning
a	Append-only: appends are permitted to this file, but it cannot otherwise be edited. Root only.
A	Accesses not timestamped: accesses to this file don't update its access timestamp (atime).
c	Compressed: data is transparently compressed on writes and uncompressed on reads.
d	Don't dump: tell the dump program to ignore this file when making backups (see <a href="#">"Backups and Remote Storage" on page 241</a> ).
i	Immutable: file cannot be changed or deleted (root only).
j	Journalled data (on filesystems that support journaling).
s	Secure deletion: if deleted, this file's data is overwritten with zeros.
S	Synchronous update: changes are written to disk immediately.
u	Undeletable: file cannot be deleted.

Before using this command seriously, read the manpage for details, especially for filesystem-specific issues.

## Useful options

- R Recursively process directories.
- a List all files, including those whose names begin with a dot.
- d If listing a directory, do not list its contents, just the directory itself.

---

**chattr**                    `stdin` `stdout` `-file` `--opt` `--help` `--version`

`chattr [options] [+|-|=]attributes [files]`

The `chattr` command changes a file's extended attributes, the same ones that `lsattr` displays. With syntax similar to the `chmod` command, `chattr` adds (+) or removes (-) attributes

relatively, or sets attributes absolutely (=). For example, to prevent a file from deletion even by the superuser, run:

```
→ sudo chattr +i attrfile      Set attribute i
→ sudo rm attrfile             Deletion fails
rm: cannot remove 'attrfile': Operation not permitted
→ sudo chattr -i attrfile      Unset attribute i
→ sudo rm attrfile             Deletion succeeds
```

Not all attributes are supported by all filesystems. Read the manpage for details, especially for filesystem-specific issues.

## Useful option

-R Recursively process directories.

## Locating Files

<code>find</code>	Locate files in a directory hierarchy.
<code>xargs</code>	Turn a list of files into a list of commands (and much more).
<code>locate</code>	Create an index of files, and search the index for a string.
<code>which</code>	Locate executables in your search path (command).
<code>type</code>	Locate executables in your search path (bash built-in).
<code>whereis</code>	Locate executables, documentation, and source files.

A typical Linux system has hundreds of thousands of files, so Linux includes commands for locating files of interest. `find` is a brute-force command that slogs file by file through a directory tree to locate a target. `locate` is much faster, searching through a prebuilt index that you generate as needed. (Some distros generate the index nightly by default.)

To locate programs in the filesystem, the `which` and `type` commands check all directories in your shell search path. `type` is built into the bash shell, while `which` is a program (normally `/usr/bin/which`); `type` is faster and can detect shell

aliases.<sup>3</sup> In contrast, `whereis` examines a known set of directories, rather than your search path.

---

**find** `stdin stdout -file --opt --help --version`

`find [directories] [expression]`

The `find` command searches one or more directories (and their subdirectories recursively) for files matching certain criteria. It is very powerful, with over 50 options, and unfortunately, a rather unusual syntax. Here are some simple examples that search the entire filesystem from the current directory (indicated by a dot):

Find a particular file named *myfile*:

```
→ find . -type f -name myfile -print
./myfile
```

Print filenames beginning with “myfile”. Notice that the asterisk is escaped so the shell ignores it for pattern-matching and it’s passed literally to the `find` command:

```
→ find . -type f -name myfile\* -print
./myfile3
./myfile
./myfile2
```

Print all directory names:

```
→ find . -type d -print
.
./jpegexample
./dir2
./mydir
./mydir/dir
⋮
```

---

<sup>3</sup> The `tcsh` shell performs some trickery to make which detect aliases.

## Useful options

- name *pattern* Given a file pattern, find files with names (-name), pathnames (-path), or symbolic link targets (-lname) that match the pattern, which may include shell pattern-matching characters \*, ?, and [. (You must escape the patterns, however, so they are ignored by the shell and passed literally to find.) Paths are relative to the directory tree being searched.
- iname *pattern* These options are the same as -name, -path, and -lname, respectively, but are case-insensitive.
- ipath *pattern*
- ilname *pattern*
- regex *regexp* The path (relative to the directory tree being searched) must match the given regular expression.
- type *t* Locate only files of type *t*. Types include plain files (f), directories (d), symbolic links (l), block devices (b), character devices (c), named pipes (p), and sockets (s).
- atime *N* File was last accessed (-atime), last modified (-mtime), or had a status change (-ctime) exactly *N*\*24 hours ago. Use +*N* for "greater than *N*," or -*N* for "less than *N*."
- ctime *N*
- mtime *N*
- amin *N* File was last accessed (-amin), last modified (-mmin), or had a status change (-cmin) exactly *N* minutes ago. Use +*N* for "greater than *N*," or -*N* for "less than *N*."
- cmin *N*
- mmin *N*
- anewer *other\_file* File was accessed (-anewer), modified (-newer), or had a status change (-cnewer) more recently than *other\_file*.
- cnewer *other\_file*
- newer *other\_file*
- maxdepth *N* Consider files at least (-mindepth) or at most (-maxdepth) *N* levels deep in the directory tree being searched.
- mindepth *N*
- follow Dereference symbolic links.

-depth	Proceed using depth-first search: completely search a directory's contents (recursively) before operating on the directory itself.
-xdev	Limit the search to a single filesystem (i.e., don't cross device boundaries).
-size <i>N</i> [ <i>bckw</i> ]	Consider files of size <i>N</i> , which can be given in blocks (b), one-byte characters (c), KB (k), or two-byte words (w). Use <i>+N</i> for "greater than <i>N</i> ," or <i>-N</i> for "less than <i>N</i> ."
-empty	File has zero size and is a regular file or directory.
-user <i>name</i>	File is owned by the given user.
-group <i>name</i>	File is owned by the given group.
-perm <i>mode</i>	File has permissions equal to <i>mode</i> . Use <i>-mode</i> to check that <i>all</i> of the given bits are set, or <i>+mode</i> to check that <i>any</i> of the given bits are set.

These operators group or negate parts of the expression:

*expression1* -a *expression2*

And. (This is the default if two expressions appear side by side, so the -a is optional.)

*expression1* -o *expression2*

Or.

! *expression*

-not *expression*

Negate the expression.

( *expression* )

Precedence markers, just like in algebra class. Evaluate what's in parentheses first. You may need to escape these from the shell with "\".

*expression1* , *expression2*

Comma operator. Evaluate both expressions and return the value of the second one.

Once you've specified the search criteria, tell `find` to perform the following actions on files that match the criteria:

- `print`            Print the path to the file, relative to the search directory.
- `printf string`    Print the given string, which may have substitutions applied to it in the manner of the C library function, `printf()`. See the manpage for the full list of outputs.
- `print0`            Like `-print`, but instead of separating each line of output with a newline character, use a null (ASCII 0) character. Use when piping the output of `find` to another command and your list of filenames may contain space characters. Of course, the receiving command must be capable of reading and parsing these null-separated lines (e.g., `xargs -0`).
- `exec cmd` ;        Invoke the given shell command, `cmd`. Escape any shell metacharacters, including the required, final semicolon, so they aren't evaluated by the shell. Also, the symbol `{}` (quoted or escaped) represents the path to the file found. A full example is:  
`find . -exec ls '{} ' \;`
- `ok cmd` ;         Same as `-exec`, but also prompts the user before each invocation of the command `cmd`.
- `ls`                Perform the command `ls -dils` on each file.
- `delete`            Perform the command `rm` on each file. (Careful!!!)

---

## **xargs**                                    `stdin` `stdout` `-file` `--opt` `--help` `--version`

`xargs [options] [command]`

`xargs` is one of the oddest yet most powerful commands available to the shell. It reads lines of text from standard input, turns them into commands, and executes them. This might not sound exciting, but `xargs` has some unique uses, particularly for processing a list of files you've located. Suppose you made a file named *important* that lists important files, one per line:

```
→ cat important
/home/jsmith/mail/love-letters
/usr/local/lib/critical_stuff
/etc/passwordfile2
⋮
```

xargs can process each of these files easily with other Linux commands. For instance, the following command runs the `ls -l` command on all the listed files:

```
→ cat important | xargs ls -l
```

Similarly, view the files with `less`:

```
→ cat important | xargs less
```

and even delete them with `rm`:

```
→ cat important | xargs rm -f Careful! Destroys files!!
```

In each case, `xargs` reads the file *important* and produces and runs new Linux commands. The power begins when the input list doesn't come from a file, but from another command writing to standard output. In particular, the `find` command, which prints a list of files, makes a great partner for `xargs`. For example, to search your current directory hierarchy for files containing the word "tomato":

```
→ find . -type f -print | xargs grep -l tomato
```

```
./findfile1
```

```
./findfile2
```

```
→ cat findfile1 findfile2
```

```
This file contains the word tomato.
```

*From findfile1*

```
Another file containing the word tomato.
```

*From findfile2*

This command has a problem, however: it mishandles filenames that contain whitespace, like *my stuff*. If `find` prints this filename, then `xargs` constructs an incorrect `grep` command:

```
grep -l tomato my stuff
```

which tells `grep` to process two files named *my* and *stuff*. Oops! Now imagine that the command you passed to `xargs` was `rm` instead of `grep`. Then `rm` would delete the wrong files! To avoid



this problem, tell `find` and `xargs` to use a non-whitespace character between lines of text—specifically, a null character (ASCII value zero). The command `find -print0` ends lines with nulls, and `xargs -0` expects nulls.

```
→ find . -type f -print0 | xargs -0 grep -l tomato
```

I’ve barely scratched the surface of the `xargs` command, so I hope you’ll continue experimenting. (For safety, tell `xargs` to invoke harmless commands like `grep` and `ls` for your tests, rather than destructive commands like `rm`.)

## Useful options

- n *k* Feed *k* lines of input to each executed command. The common `-n1` guarantees that each execution processes only one line of input. Otherwise, `xargs` may pass multiple lines of input to a single command.
- 0 Set the end-of-line character for input to be ASCII zero rather than whitespace, and treat all characters literally. Use this when the input comes from `find -print0`.

### xargs versus Command Substitution

If you remember “Quoting” on page 46, you might realize that some `xargs` tricks can be accomplished with command substitution:

- `cat file_list | xargs ls -l` *With xargs*
- `ls -l $(cat file_list)` *With \$()*
- `ls -l `cat file_list`` *With backquotes*

While these commands do similar things, the last two can fail if the output of `cat` becomes longer than the maximum length of a shell command line. The `xargs` solution reads unlimited text from standard input rather than the command line, so it’s more scalable for large or risky operations.

---

## locate

`stdin` `stdout` `-file` `--opt` `--help` `--version`

`locate` [*options*]

The `locate` command, with its partner `updatedb`, creates an index (database) of file locations that is quickly searchable.<sup>4</sup> If you plan to search for many files over time in a directory hierarchy that doesn't change much, `locate` is a good choice. To locate a single file or perform more complex processing of found files, use `find`.

Some distros automatically index the entire filesystem regularly (e.g., once a day), so you can simply run `locate` and it works. But if you ever need to create an index yourself of a directory and all its subdirectories (say, `~/linuxpocketguide`), storing the index in `/tmp/myindex`, run:

```
→ updatedb -l0 -U ~/linuxpocketguide -o /tmp/myindex
```

(Note that `-l0` is a lowercase `l` followed by a zero, not the number 10.) Then search for a string in the index, such as “myfile”:

```
→ locate -d /tmp/myindex myfile  
/home/dbarrett/linuxpocketguide/myfile  
/home/dbarrett/linuxpocketguide/myfile2  
/home/dbarrett/linuxpocketguide/myfile3
```

`updatedb` has an interesting, optional security feature. If you run it as root, you can create an index that displays only files that the user is permitted to see, based on file permissions. Simply add `sudo` and omit the `-l0` option:

```
→ sudo updatedb -U directory -o /tmp/myindex
```

---

<sup>4</sup> My `locate` command comes from a package called “`plocate`.” Some systems have older packages called “`mlocate`” or “`slocate`” with slightly different usage. If you have `slocate`, simply run `slocate` instead of `updatedb` in my examples.

## Indexing options for updatedb

- u Create index from the root directory downward.
- U *directory* Create index from *directory* downward.
- l (0|1) Turn security off (0) or on (1). The default is 1.
- e *paths* Exclude paths from the index, separated by whitespace.
- o *outfile* Write the index to file *outfile*.

## Search options for locate

- d *index* Indicate which index to use (in my example, */tmp/myindex*).
- i Case-insensitive search.
- r *regexp* Search for filenames matching the given regular expression.

---

## which

`stdin` `stdout` `-file` `--opt` `--help` `--version`

`which file`

The `which` command locates an executable file in your shell's search path. To locate the `who` command, run:

```
→ which who  
/usr/bin/who
```

You can even find the `which` program itself:

```
→ which which  
/usr/bin/which
```

If several programs in your search path have the same name (e.g., `/bin/who` and `/usr/bin/who`), `which` reports only the first.

---

## type

`stdin` `stdout` `-file` `--opt` `--help` `--version`

`type` [*options*] *commands*

The `type` command, like `which`, locates an executable file in your shell's search path:

```
→ type grep who  
grep is /bin/grep  
who is /usr/bin/who
```

`type` also identifies shell features, such as aliases and built-in commands:

```
→ type which type rm if  
which is /usr/bin/which  
type is a shell builtin  
rm is aliased to `/bin/rm -i'  
if is a shell keyword
```

As a built-in command, `type` is faster than `which`, but it's available only in certain shells such as `bash`.

---

## whereis

`stdin` `stdout` `-file` `--opt` `--help` `--version`

`whereis` [*options*] *files*

The `whereis` command attempts to locate the given files by searching a hardcoded list of directories. It can find executables, documentation, and source code. `whereis` is somewhat quirky because its internal list of directories might not include the ones you need.

```
→ whereis nano  
nano: /usr/bin/nano /usr/share/nano ...
```

## Useful options

- b List only binary executables (-b), manpages (-m), or source code files (-s).
- m
- s
- B *dirs...* -f Search for binary executables (-B), manpages (-M), or source code files (-S) in the given directories. You must follow the
- M *dirs...* -f
- S *dirs...* -f directory list with the -f option before listing the files you seek.

## Manipulating Text in Files

- grep Find lines in a file that match a regular expression.
- cut Extract columns from a file.
- paste Append text from multiple files in columns.
- column Organize text into columns.
- tr Translate characters into other characters.
- expand Convert from tabs to spaces.
- unexpand Convert from spaces to tabs.
- sort Sort lines of text by various criteria.
- uniq Locate identical lines in a file.
- tac Reverse a file line by line.
- shuf Randomly shuffle the lines of a file (permutation).
- tee Write to a file *and* print on standard output, simultaneously.

Perhaps Linux's greatest strength is text manipulation: massaging a text file (or standard input) into a desired form by applying transformations, often in a pipeline. Many commands do this, but here I focus on some of the most important tools for transforming text.

---

## grep

stdin stdout -file --opt --help --version

grep [*options*] *pattern* [*files*]

The `grep` command is one of the most consistently useful and powerful in the Linux arsenal. Its premise is simple: given one or more files, print all of their lines that match a regular expression. For example, if a file *randomlines* contains these lines:

```
The quick brown fox jumped over the lazy dogs!
My very eager mother just served us nine pancakes.
Film at eleven.
```

and you print all lines containing “pancake”, you get:

```
→ grep pancake randomlines
My very eager mother just served us nine pancakes.
```

Now use a regular expression to print lines ending in an exclamation point:

```
→ grep '!$' randomlines
The quick brown fox jumped over the lazy dogs!
```

`grep` can use two different types of regular expressions: *basic* and *extended*. They are equally powerful, just different, and their syntax is in [Table 2-2](#). Regular expressions are well worth your time to learn. Other powerful Linux programs use them too, such as `sed` and `perl`.

### Useful options

- v Print only lines that *do not* match the regular expression.
- l Print only the *names* of files that contain matching lines, not the lines themselves.
- L Print only the names of files that *do not* contain matching lines.
- c Print only a count of matching lines.
- o Print only the strings that match, not whole lines.
- n In front of each line of matching output, print its original line number. (Or print the byte offset with `-b`.)

- i Case-insensitive match.
- w Match only complete words.
- x Match only complete lines. Overrides -w.
- a Treat all files as plain text. Sometimes `grep` mistakenly treats a file as binary and won't print matching lines.
- A *N* After each matching line, print the next *N* lines from its file.
- B *N* Before each matching line, print the previous *N* lines from its file.
- C *N* Same as -A *N* -B *N*: print *N* lines (from the original file) above *and* below each matching line.
- color Highlight the matched text in color, for better readability.
- r Recursively search all files in a directory and its subdirectories.
- R Same as -r but also follow all symbolic links.
- E Use extended regular expressions. See `egrep`.
- F Use lists of fixed strings instead of regular expressions. See `fgrep`.

Table 2-2. Regular expressions for `grep` (plain) and `egrep` (extended)

Plain	Extended	Meaning
.	.	Any single character.
[...]	[...]	Any single character in this list.
[^...]	[^...]	Any single character <i>not</i> in this list.
(...)	(...)	Grouping.
\		Or.
^	^	Beginning of a line.
\$	\$	End of a line.
\<	\<	Beginning of a word.
\>	\>	End of a word.
[:alnum:]	[:alnum:]	Any alphanumeric character.

Plain	Extended	Meaning
<code>[:alpha:]</code>	<code>[:alpha:]</code>	Any alphabetic character.
<code>[:cntrl:]</code>	<code>[:cntrl:]</code>	Any control character.
<code>[:digit:]</code>	<code>[:digit:]</code>	Any digit.
<code>[:graph:]</code>	<code>[:graph:]</code>	Any graphic character.
<code>[:lower:]</code>	<code>[:lower:]</code>	Any lowercase letter.
<code>[:print:]</code>	<code>[:print:]</code>	Any printable character.
<code>[:punct:]</code>	<code>[:punct:]</code>	Any punctuation mark.
<code>[:space:]</code>	<code>[:space:]</code>	Any whitespace character.
<code>[:upper:]</code>	<code>[:upper:]</code>	Any uppercase letter.
<code>[:xdigit:]</code>	<code>[:xdigit:]</code>	Any hexadecimal digit.
<code>*</code>	<code>*</code>	Zero or more repetitions of a regular expression.
<code>\+</code>	<code>+</code>	One or more repetitions of a regular expression.
<code>\?</code>	<code>?</code>	Zero or one occurrence of a regular expression.
<code>\{n\}</code>	<code>{n}</code>	Exactly <i>n</i> repetitions of a regular expression.
<code>\{n,\}</code>	<code>{n,}</code>	<i>n</i> or more repetitions of a regular expression.
<code>\{n,m\}</code>	<code>{n,m}</code>	Between <i>n</i> and <i>m</i> (inclusive) repetitions of a regular expression, <i>n</i> < <i>m</i> .
<code>\c</code>	<code>\c</code>	The literal character <i>c</i> . For example, use <code>\*</code> to match an asterisk or <code>\\</code> to match a backslash. Alternatively, use square brackets, like <code>[*]</code> or <code>[\]</code> .



---

## egrep

`stdin stdout -file --opt --help --version`

`egrep [options] pattern [files]`

The `egrep` command runs `grep` with the option `-E` pre-applied to use extended regular expressions.<sup>5</sup>

---

## fgrep

`stdin stdout -file --opt --help --version`

`fgrep [options] [fixed_strings] [files]`

The `fgrep` command runs `grep` with the option `-F` pre-applied.<sup>5</sup> Instead of regular expressions, `fgrep` accepts a list of fixed strings separated by newlines. For example, if you have a dictionary file full of strings, one per line:

```
→ cat my_dictionary_file
aardvark
abbey
abbot
:
```

`fgrep` searches for those strings in one or more input files:

```
→ fgrep -f my_dictionary_file story
a little aardvark who went to
visit the abbot at the abbey.
```

`fgrep` is convenient when searching for nonalphanumeric characters like `*` and `{` because they are treated literally as fixed strings, not as regular expression characters.

It's easiest for `fgrep` to read the fixed strings from a file, but it can also take them from the command line if you quote them. To search for the strings “one”, “two”, and “three” in a file, run:

---

<sup>5</sup> The commands `egrep` and `fgrep` are officially deprecated, but they are so deeply embedded in a million Linux shell scripts that I don't think they'll ever go away.

```
→ fgrep 'one
two
three' myfile
```

*Note that I am typing newline characters*

## grep and End-of-Line Characters

When you match the end of a line (\$) with `grep`, text files created on Microsoft Windows or macOS systems may produce odd results. Each OS has a different standard for ending a line. On Linux, each line in a text file ends with a newline character (ASCII 10). On Windows, text lines end with a carriage return (ASCII 13) followed by a newline character. And on macOS, a text file might end its lines with newlines alone or carriage returns alone. If `grep` doesn't match the ends of lines properly, check for non-Linux end-of-line characters with `cat -v`, which displays carriage returns as `^M`:

```
→ cat -v dosfile.txt
```

```
Uh-oh! This file seems to end its lines with^M
carriage returns before the newlines.^M
```

To remove the carriage returns, use the `tr -d` command:

```
→ tr -d '\r' < dosfile.txt > /tmp/linuxfile.txt
```

```
→ cat -v /tmp/linuxfile.txt
```

```
Uh-oh! This file seems to end its lines with
carriage returns before the newlines.
```

---

**cut** `stdin stdout -file --opt --help --version`

```
cut -(b|c|f)range [options] [files]
```

The `cut` command extracts columns of text from files. A “column” is defined by character offsets (e.g., the 19th character of each line):

```
→ cut -c19 myfile
```

or by byte offsets (which are different from characters if your language has multibyte characters):

```
→ cut -b19 myfile
```

or by delimited fields (e.g., the fifth field in each line of a comma-delimited file, *data.csv*):

```
→ cat data.csv  
one,two,three,four,five,six,seven  
ONE,TWO,THREE,FOUR,FIVE,SIX,SEVEN  
1,2,3,4,5,6,7  
→ cut -f5 -d, data.csv  
five  
FIVE  
5
```

You aren't limited to printing a single column: provide a range (3-16), a comma-separated sequence (3,4,5,6,8,16), or both (3,4,8-16). For ranges, if you omit the first number (-16), a 1 is assumed (1-16); if you omit the last number (5-), the final column is assumed.

## Useful options

- d *C* Use character *C* as the *input* delimiter character between fields for the -f option. By default it's a tab character.
- output-delimiter=*S* Use string *S* as the *output* delimiter character between fields for -f. By default it's a tab character.
- s Suppress lines that don't contain any delimiter characters at all. Otherwise they're printed unchanged.

---

## paste

`stdin` `stdout` `-file` `--opt` `--help` `--version`

`paste` [*options*] [*files*]

The `paste` command is the opposite of `cut`: it treats several files as vertical columns and combines them on standard output:

→ **cat letters**

A

B

C

→ **cat numbers**

1

2

3

4

5

→ **paste numbers letters**

1 A

2 B

3 C

4

5

→ **paste letters numbers**

A 1

B 2

C 3

4

5

### Useful options

`-d delimiters` Print the given delimiter characters between columns; the default is a tab character. Provide a single character (`-d:`) to be used always, or a list of characters (`-dxyz`) to be applied in sequence on each line (the first delimiter is `x`, then `y`, then `z`, then `x`, then `y`, ...).

-s                      Sideways: transpose the rows and columns of output:  
→ **paste -s letters numbers**  
A    B    C  
1    2    3    4    5

---

**column**                      **stdin** **stdout** **-file** **--opt** **--help** **--version**

column [*options*] [*files*]

The column command reads lines of text and prints them in columns. By default, it creates as many columns as will fit in the width of your terminal, so the output may vary.

→ **seq 1 18**                      *Print 18 numbers*  
1  
2  
3  
:  
18

→ **seq 1 18 | column**                      *Create columns vertically*  
1    4    7    10   13   16  
2    5    8    11   14   17  
3    6    9    12   15   18

→ **seq 1 18 | column -x**                      *Create columns horizontally*  
1    2    3    4    5    6  
7    8    9    10   11   12  
13   14   15   16   17   18

column can also convert existing columns into a nicely formatted table:

→ **cat threes**                      *Original file*  
one two three                      *Ragged columns*  
Do Re Mi  
you and me

→ **column -t threes**                      *Format as a table with -t*  
one two three                      *Neat columns*  
Do Re Mi  
you and me

```
→ column -t -N A,B,C threes      Add headings with -N
A      B      C
one    two    three
Do     Re     Mi
you    and    me
```

## Useful options

```
-s C          Use character C as the input separator between columns.
-o C          Use character C as the output separator between columns.
-t           Format the output as a table.
-N headings  Add headings to a table (requires -t). Provide a comma-separated list.
--json       Print the output in JSON format (requires -t and -N).
```

---

**tr** *stdin* *stdout* *-file* *--opt* *--help* *--version*

```
tr [options] charset1 [charset2]
```

The `tr` command performs some simple translations of one set of characters into another. For example, to capitalize everything in a file:

```
→ cat wonderfulfile
This is a very wonderful file.
→ cat wonderfulfile | tr a-z A-Z
THIS IS A VERY WONDERFUL FILE.
```

or to change all vowels into asterisks:

```
→ cat wonderfulfile | tr aeiouAEIOU '*'
Th*s *s * v*ry w*nd*r*f*l f*l*.
```

or to delete all vowels:

```
→ cat wonderfulfile | tr -d aeiouAEIOU
Ths s vry wndrfl fl.
```

Delete all carriage returns from a DOS text file so it's more compatible with Linux text utilities like `grep`:

```
→ tr -d '\r' < dosfile.txt > linuxfile.txt
```

`tr` translates the first character in *charset1* into the first character in *charset2*, the second into the second, the third into the third, and so on. If the length of *charset1* is *N*, only the first *N* characters in *charset2* are used. (If *charset1* is longer than *charset2*, see the `-t` option.)

Character sets can have the following forms:

Form	Meaning
ABDG	The sequence of characters A, B, D, G.
A-Z	The range of characters from A to Z.
[x*y]	<i>y</i> repetitions of the character <i>x</i> .
[ :class: ]	The character classes accepted by <code>grep</code> , such as [ :a1num: ] and [ :digit: ]. See <a href="#">Table 2-2</a> .

`tr` also understands the escape characters “\a” (^G = alert by ringing bell), “\b” (^H = backspace), “\f” (^L = formfeed), “\n” (^J = newline), “\r” (^M = return), “\t” (^I = tab), and “\v” (^K = vertical tab) accepted by `printf` (see “[Screen Output](#)” on page 275), as well as the notation `\nnn` to mean the character with octal value *nnn*.

`tr` is great for quick and simple translations, but for more powerful jobs consider `sed`, `awk`, or a programming language such as `perl`.

## Useful options

- d Delete the characters in *charset1* from the input.
- s Eliminate adjacent duplicates (found in *charset1*) from the input. For example, `tr -s aeiouAEIOU` would squeeze adjacent, duplicate vowels to be single vowels (`reeeeeally` would become `really`).
- c Complement: operate on all characters *not* found in *charset1*.

- t If *charset1* is longer than *charset2*, make them the same length by truncating *charset1*. If -t is not present, the last character of *charset2* is (invisibly) repeated until *charset2* is the same length as *charset1*.

---

## expand

stdin stdout -file --opt --help --version

expand [*options*] [*files*]

unexpand [*options*] [*files*]

The `expand` command converts tab characters to an equivalent-looking number of space characters, and `unexpand` does the opposite. By default, a tab stop occurs every eight spaces, but you can change this with options.

- **expand tabfile > spacefile**
- **unexpand spacefile > tabfile**

To check whether a file contains spaces or tabs, use the `cat -T` command, which displays tabs as `^I`, or the `od -c` command, which displays tabs as `\t`.

### Useful option

- t *N* Specify that one tab stop occurs every *N* spaces.

---

## sort

stdin stdout -file --opt --help --version

sort [*options*] [*files*]

The `sort` command prints lines of text in alphabetical order, or sorted by some other rule you specify. All provided files are concatenated, and the result is sorted and printed:

- **cat threeletters**  
def  
xyz  
abc



### → **sort threeletters**

abc  
def  
xyz

## Useful options

- f Case-insensitive sorting.
- n Sort numerically (i.e., 9 comes before 10) instead of alphabetically (10 comes before 9 because it begins with a “1” character).
- g Another numerical sorting method with a different algorithm that, among other things, recognizes scientific notation (7.4e3 means “7.4 times ten to the third power,” or 7400). Run `info sort` for full technical details.
- u Unique sort: discard duplicate lines. (If used with `-c` to check sorted files, fail if any consecutive lines are identical.)
- c Don’t sort, just check if the input is already sorted. If it is, print nothing; otherwise, print an error message.
- b Ignore leading whitespace in lines.
- r Reverse the output: sort from greatest to least.
- k *key* Choose sorting keys, described next. (Combine with `-t` to choose a separator character between keys.)
- t *X* Use *X* as the field separator for the `-k` option.

A sorting key indicates a portion of a line to consider when sorting, instead of the entire line. Consider this file of names and addresses:

### → **cat people**

George Washington,123 Main Street,New York  
Abraham Lincoln,54 First Avenue,San Francisco  
John Adams,39 Tremont Street,Boston

An ordinary `sort` displays the “Abraham Lincoln” line first. But you can sort on the second value (`-k2`), the address, if you consider each line as three comma-separated values (`-t,`). The first address alphabetically is “123 Main Street”:

→ **sort -k2 -t, people**

George Washington,123 Main Street,New York

John Adams,39 Tremont Street,Boston

Abraham Lincoln,54 First Avenue,San Francisco

Likewise, sort on the third value (-k3), the city, where “Boston” is first alphabetically:

→ **sort -k3 -t, people**

John Adams,39 Tremont Street,Boston

George Washington,123 Main Street,New York

Abraham Lincoln,54 First Avenue,San Francisco

The general syntax is `-k F1[.C1][,F2[.C2]]` which means:

Item	Meaning	Default value
<i>F1</i>	Starting field	Required
<i>C1</i>	Starting position within field 1	1
<i>F2</i>	Ending field	Last field
<i>C2</i>	Starting position within ending field	1

So `sort -k1.5` sorts by the first field beginning at its fifth character; and `sort -k2.8,5` means “from the eighth character of the second field, up to the first character of the fifth field.” The `-t` option changes the behavior of `-k` so it considers delimiter characters such as commas rather than spaces.

Repeat the `-k` option to define multiple keys. `sort` applies them from first to last as found on the command line.

---

## uniq

`stdin stdout -file --opt --help --version`

`uniq [options] [files]`

The `uniq` command operates on consecutive, duplicate lines of text. For example, if you have a file *letters2*:

→ **cat letters2**

a  
b  
b  
c  
b

then `uniq` would detect and process (in whatever way you specify) the two consecutive b's, but not the third b. By default, `uniq` deletes the consecutive duplicates:

→ **uniq letters2**

a  
b  
c  
b

*Deleted one "b" character*

`uniq` is often used after sorting a file:

→ **sort letters2 | uniq**

a  
b  
c

In this case, only a single b remains because `sort` placed all three adjacently, and then `uniq` collapsed them to one. To count duplicate lines instead of eliminating them, use the `-c` option:

→ **sort letters2 | uniq -c**

1 a  
3 b  
1 c

## Useful options

- c Count adjacent duplicate lines.
- i Case-insensitive operation.
- u Print unique lines only.
- d Print duplicate lines only.
- s *N* Skip the first *N* characters on each line when detecting duplicates.

- f *N* Ignore the first *N* whitespace-separated fields on each line when detecting duplicates.
- W *N* Consider only the first *N* characters on each line when detecting duplicates. If used with -s or -f, `uniq` ignores the specified number of characters or fields first, then considers the next *N* characters.

---

**tac**                                    **stdin  stdout  -file  --opt  --help  --version**

`tac [options] [files]`

The `tac` command, which is “cat” spelled backwards, prints the lines of a file in reverse order.

```
→ cat lines
one
two
three
→ tac lines
three
two
one
```

It’s great for reversing lines that are in chronological order, such as the contents of a logfile for a Linux service.

Given multiple filenames as arguments, `tac` reverses each file in turn. To reverse all lines in all files together, combine them first with `cat` and pipe the output to `tac`:

```
→ cat myfile myfile2 myfile3 | tac
```

---

**shuf**                                    **stdin  stdout  -file  --opt  --help  --version**

`shuf [options] [files]`

The `shuf` command shuffles (permutes) lines of text randomly, from a file or other sources.

→ **cat lines** *Original file*

one  
two  
three

→ **shuf lines** *Run it once*

two  
three  
one

→ **shuf lines** *Run it again with different output*

one  
three  
two

Or, provide strings on the command line with `shuf -e`:

→ **shuf -e apple banana guava**

guava  
apple  
banana

Or, randomize the numbers in a range with `shuf -i`:

→ **shuf -i 0-3**

3  
1  
0  
2

The `shuf` command is great for extracting random subsets of lines from a file. For example, given a file of people's first names, `shuf` can randomize the file and can print a set number of lines with the `-n` option:

→ **cat names**

Aaron  
Ahmed  
Ali  
Ana  
:

→ **shuf -n3 names**

Ying  
Robert  
Patricia

```
→ shuf -n1 names
Fatima
```

## Useful options

- e Shuffle strings provided on the command line.
- i *range* Shuffle a range of whole numbers, such as 1-10.
- n *K* Print at most *K* lines.
- r Repeatedly shuffle and print, producing unlimited output. Combine with -n to limit the output.

---

```
tee stdin stdout -file --opt --help --version
```

```
tee [options] files
```

Like the `cat` command, the `tee` command copies standard input to standard output unaltered. Simultaneously, it copies the input to one or more files. `tee` is most often found in the middle of pipelines, writing some intermediate data to a file while passing it to the next command in the pipeline:

```
→ who | tee original_who | sort
barrett pts/1 Sep 22 21:15
byrnes pts/0 Sep 15 13:51
silver :0 Sep 23 20:44
silver pts/2 Sep 22 21:18
```

The preceding command line writes the unsorted output of `who` to the file `original_who` and also passes the same text to `sort`, which produces sorted output on screen:

```
→ cat original_who
silver :0 Sep 23 20:44
byrnes pts/0 Sep 15 13:51
barrett pts/1 Sep 22 21:15
silver pts/2 Sep 22 21:18
```

## Useful options

- a Append instead of overwriting files.
- i Ignore interrupt signals.

## More powerful manipulations

Linux has hundreds of other filters that produce ever more complex manipulations of the data. But with great power comes a great learning curve, too much for a short book. Here are a few of the most capable filters to get you started.

### awk

AWK is a pattern-matching language. It matches data by regular expression and then performs actions based on the data. Here are a few simple examples to process a text file, *myfile*.

Print the second and fourth word on each line:

```
→ awk '{print $2, $4}' myfile
```

Print all lines that are shorter than 60 characters:

```
→ awk 'length < 60 {print}' myfile
```

### sed

Like AWK, sed is a pattern-matching engine that manipulates lines of text. Its syntax is shared by several other Linux programs, such as Vim. For example, print a file with all occurrences of the string “me” changed to “YOU”:

```
→ sed 's/me/YOU/g' myfile
```

Print lines 3 through 5, inclusive, from a file:

```
→ sed -n '3,5p' myfile
```

### m4

m4 is a macro processor. It locates keywords within a file and substitutes values for them. For example, given this file:

→ **cat substitutions**

My name is NAME and I am AGE years old.  
ifelse(QUOTE,yes,Learn Linux today!)

see m4 perform substitutions (-D) for NAME, AGE, and QUOTE:

→ **m4 -D NAME=Sandy substitutions**

My name is Sandy and I am AGE years old.

→ **m4 -D NAME=Sandy -D AGE=25 substitutions**

My name is Sandy and I am 25 years old.

→ **m4 -D NAME=Sandy -D AGE=25 -D QUOTE=yes substitutions**

My name is Sandy and I am 25 years old.  
Learn Linux today!

## Perl, PHP, Python, Ruby

If you need even more powerful text processing, Linux includes interpreters for Perl, PHP, Python, Ruby, and other full-fledged programming languages. See [“Beyond Shell Scripting” on page 327](#) for references.

## Compressing, Packaging, and Encrypting

tar	Package multiple files into a single file.
gzip	Compress files with GNU Zip.
gunzip	Uncompress GNU Zip files.
bzip2	Compress files in BZip format.
bunzip2	Uncompress BZip files.
bzcat	Uncompress BZip data to standard output.
compress	Compress files with traditional Unix compression.
uncompress	Uncompress files with traditional Unix compression.
zcat	Uncompress to standard output (gzip or compress).
zip	Package and compress files in Windows Zip format.
unzip	Uncompress and unpack Windows Zip files.



<code>7z</code>	Package and compress/uncompress 7-Zip files.
<code>munpack</code>	Extract MIME data to files.
<code>mpack</code>	Convert a file to MIME format.
<code>gpg</code>	Encrypt a file with the GNU Privacy Guard (GnuPG).

Linux can pack and compress files in a variety of formats. The most popular formats are GNU Zip (`gzip`), whose compressed files are named with the `.gz` extension, and BZip, which uses the `.bz2` extension. Other common formats include ZIP files from Windows systems (`.zip` extension), 7-Zip files (`.7z` and `.lzma` extensions), and occasionally, classic Unix compression (`.Z` extension). If you come across a format I don't cover, such as macOS sit files, ARC, Zoo, RAR, and others, learn more at <https://oreil.ly/vO718>.

---

#### TIP

Several popular commands have been adapted to work directly on compressed files. Check out `zgrep`, `zless`, `zcmp`, and `zdiff`, which work just like `grep`, `less`, `cmp`, and `diff`, respectively, but accept compressed files as arguments. Compare compressed and uncompressed files:

```
→ zdiff sample1.gz sample2
```

---

An operation related to compression is the encoding of binary files as text for email attachments. Nowadays, most email clients do this automatically, but I cover the commands `munpack` and `mpack`, which decode and encode on the command line, respectively. Finally, I cover the most popular file encryption command for Linux, `gpg`, the GNU Privacy Guard.

---

## tar

stdin stdout -file --opt --help --version

tar [*options*] [*files*]

The tar command packs many files and directories into a single file for easy transport, optionally compressed. (It was originally for backing up files onto a tape drive; its name is short for “tape archiver.”) TAR files are the most common file-packaging format for Linux.

```
→ tar -czf myarchive.tar.gz mydir           Create archive
→ ls -lG myarchive.tar.gz
-rw-r--r-- 1 smith 350 Nov  7 14:09 myarchive.tar.gz
→ tar -tf myarchive.tar.gz                 List contents
mydir/
mydir/dir/
mydir/dir/file10
mydir/file1
mydir/file2
:
→ tar -xvf myarchive.tar.gz                Extract
```

If you specify files on the command line, only those files are processed:

```
→ tar -xvf myarchive.tar.gz mydir/file3 mydir/file7
```

Otherwise, the entire archive is processed.

### Useful options

- c Create an archive from files and directories listed as arguments.
- r Append files to an existing archive.
- u Append new/changed files to an existing archive.
- A Append one archive to the end of another: for example, tar -A -f first.tar second.tar appends the contents of *second.tar* to *first.tar*. Does not work for compressed archives.
- t List (test) the archive.
- x Extract files from the archive.

- C *dir* Extract the files into directory *dir*.
- f *file* Read the archive from, or write the archive to, the given file. This is usually a TAR file on disk (such as *myarchive.tar*) but can also be a tape device (such as */dev/tape*).
- d Diff (compare) the archive against the filesystem.
- z Use `gzip` compression.
- j Use `bzip2` compression.
- Z Use classic Unix compression.
- v Verbose mode: print extra information.
- h Follow symbolic links rather than merely copying them.
- p When extracting files, restore their original permissions and ownership.

---

## gzip

`stdin` `stdout` `-file` `--opt` `--help` `--version`

`gzip [options] [files]`

`gunzip [options] [files]`

`zcat [options] [files]`

`gzip` and `gunzip` compress and uncompress files in GNU Zip format. Compressed files have the extension `.gz`.

### Sample commands

- |                                    |   |
|------------------------------------|---|
| <code>gzip file</code>             | Compress <i>file</i> to create <i>file.gz</i> . Original <i>file</i> is deleted.      |
| <code>gunzip file.gz</code>        | Uncompress <i>file.gz</i> to create <i>file</i> . Original <i>file.gz</i> is deleted. |
| <code>gunzip -c file.gz</code>     | Uncompress a file to standard output.   |
| <code>zcat file.gz</code>          | Uncompress a file to standard output.   |
| <code>cat file   gzip   ...</code> | Compress data in a pipeline.  |

`cat file.gz | gunzip` Uncompress data from a pipeline.  
`tar -czf tarfile dir` Pack directory *dir* into a gzipped TAR file. Add `-v` to print filenames as they are processed.

---

## **bzip2** `stdin stdout -file --opt --help --version`

`bzip2 [options] [files]`

`bunzip2 [options] [files]`

`bzcat [options] [files]`

`bzip2` and `bunzip2` compress and uncompress files in Burrows–Wheeler format. Compressed files have the extension `.bz2`.

### **Sample commands**

`bzip2 file` Compress *file* to create *file.bz2*. Original *file* is deleted.

`bunzip2 file.bz2` Uncompress *file.bz2* to create *file*. Original *file.bz2* is deleted.

`bunzip2 -c file.bz2` Uncompress a file to standard output.

`cat file | bzip2 | ...` Compress data in a pipeline.

`cat file.bz2 | bunzip2` Uncompress data from a pipeline.

`bzcat file.bz2` Uncompress a file to standard output.

`tar -cjf tarfile dir` Pack directory *dir* into a BZipped TAR file. Add `-v` to print filenames as they are processed.

---

## compress

**stdin** **stdout** **-file** **--opt** **--help** **--version**

`compress [options] [files]`

`uncompress [options] [files]`

`zcat [options] [files]`

`compress` and `uncompress` compress and uncompress files in classic Unix compression format (Lempel-Ziv). Compressed files have the extension `.Z`.

### Sample commands

<code>compress file</code>	Compress <i>file</i> to create <i>file.Z</i> . Original <i>file</i> is deleted.
<code>uncompress file.Z</code>	Uncompress <i>file.Z</i> to create <i>file</i> . Original <i>file.Z</i> is deleted.
<code>uncompress -c file.Z</code>	Uncompress a file to standard output.
<code>zcat file.Z</code>	Uncompress a file to standard output.
<code>cat file   compress   ...</code>	Compress data in a pipeline.
<code>cat file.Z   uncompress</code>	Uncompress data from a pipeline.
<code>tar -cZf tarfile dir</code>	Pack directory <i>dir</i> into a compressed TAR file. Use <code>-cVzf</code> to print filenames as they are processed.

---

## zip

**stdin** **stdout** **-file** **--opt** **--help** **--version**

`zip archive.zip [options] [files]`

`unzip [options] archive.zip [files]`

`zip` packs and compresses files in Windows Zip format, and `unzip` extracts them. Compressed files have the extension `.zip`.

`zip archive.zip file1 file2...` Pack.

<code>zip -r archive.zip dir</code>	Pack a directory recursively.
<code>unzip -l archive.zip</code>	List contents.
<code>unzip archive.zip</code>	Unpack.

---

## **7z** `stdin stdout -file --opt --help --version`

`7z [command] [options] archive_file [(files | dirs)]`

The `7z` command, also known as 7-Zip, packs and compresses files and directories. By default, it produces archive files in LZMA format with the filename extension `.7z`. It also supports other compression methods, such as ZIP, gzip, and BZip2, but you might as well use the original Linux commands (`zip`, `gzip`, and `bzip2`, respectively), which are more commonly found on Linux machines. `7z` also extracts from a variety of archive files, even Microsoft CAB files. See the manpage for a full list.

<code>7z a archive.7z file1 file2...</code>	Pack.
<code>7z a archive.7z dir</code>	Pack a directory (same as for files).
<code>7z l archive.7z</code>	List contents.
<code>7z x archive.7z</code>	Unpack.

---

## **munpack** `stdin stdout -file --opt --help --version`

`munpack [options] mail_file`

`mpack [options] files`

Modern email programs handle attachments so seamlessly that we rarely think about the process behind the scenes. The commands `munpack` and `mpack` work directly with attachments on the command line. For example, if you have an email message in a file, `messagefile`, and it contains a JPEG image and a PDF

file as attachments, `munpack` can extract both attachments into files:

```
→ munpack messagefile  
beautiful.jpg (image/jpeg)  
researchpaper.pdf (application/pdf)
```

Its partner program, `mpack`, does the opposite: it inserts files as attachments into a MIME-format file. Create the file `attachment.mime` containing a MIME-encoded image, `photo.jpg`:

```
→ mpack -o attachment.mime photo.jpg  
Subject: My example photo
```

---

**gpg** `stdin stdout -file --opt --help --version`

`gpg [options] [args]`

The `gpg` command encrypts and decrypts files, manipulates digital signatures, maintains encryption keys, and more. It's part of the encryption application GNU Privacy Guard (GnuPG).

The simplest approach, symmetric encryption, uses the same password to encrypt and decrypt a file (so don't lose it!):

```
→ ls secret*  
secret  
→ gpg -c secret  
Passphrase: xxxxxxxx Invent a password on the spot  
Repeat: xxxxxxxx  
→ ls secret*  
secret secret.gpg Creates the encrypted file
```

More common is public key encryption, which requires a pair of keys (public and private), encrypting with the public key, and decrypting with the private. Get started by creating a key pair, assuming your email address is `smith@example.com`:

```
→ gpg --quick-generate-key smith@example.com \  
default default never
```

Encrypt a file with public key encryption, creating *secret.gpg*:

- **gpg -e secret** *Use your default public key*
- **gpg -e -r key secret** *Use a specific public key*

Encrypt and digitally sign a file, creating *secret.gpg*:

- **gpg -es secret**  
Passphrase: xxxxxxxx

Decrypt the file *secret.gpg* and verify any signature. (If you're not reprompted for a passphrase, gpg has cached it for now.)

- **rm secret** *Delete the original file*
- **gpg secret.gpg** *Decrypt*  
Passphrase: xxxxxxxx  
gpg: encrypted with 4096-bit ELG key, ID 3EE49F4396C9,  
created 2023-02-26 "John Smith <smith@example.com>"  
:  
Good signature from "John Smith <smith@example.com>"
- **ls secret\***  
secret secret.gpg *See the original file, decrypted*

List the keys on your GnuPG keyring:

- **gpg --list-public-keys**
- **gpg --list-secret-keys**

## Useful options

gpg has about 100 options. Here are some common ones.

- r *name* Encrypt for a recipient on your public keyring. The *name* may be the key ID, email address, or various other parts of the key name.
- u *name* Sign as the user with this name from your keyring.
- o *file* Write output to the given file.
- a Create output in ASCII armor format instead of OpenPGP format. ASCII armor is plain text and suitable for inserting into email messages. Output files have the extension *.asc* rather than *.gpg*.
- q Be quiet—don't print messages while running.
- v Print more verbose messages while running.



# Comparing Files

<code>diff</code>	Line-by-line comparison of two files or directories.
<code>comm</code>	Line-by-line comparison of two sorted files.
<code>cmp</code>	Byte-by-byte comparison of two files.
<code>shasum</code>	Compute checksums of the given files.
<code>md5sum</code>	Compute checksums of the given files (insecure).

You can compare Linux files in at least three ways:

- Line by line (`diff`, `comm`), best suited to text files.
- Byte by byte (`cmp`), often used for binary files.
- By comparing checksums (`shasum`). Avoid older, weaker commands such as `sum`, `cksum`, and `md5sum`, which use insecure algorithms.

---

**diff** `stdin` `stdout` `-file` `--opt` `--help` `--version`

`diff [options] file1 file2`

The `diff` command compares two files line by line, or two directories file by file. If there are no differences, `diff` produces no output. For text files, `diff` produces detailed reports of their differences. For binary files, `diff` merely reports whether they differ or not.

The traditional output format looks like this:

```
Affected line numbers, and the type of change
< Corresponding section of file1, if any
---
> Corresponding section of file2, if any
```

For example, start with a file `fileA`:

```
Hello, this is a wonderful file.  
The quick brown fox jumped over  
the lazy dogs.  
Goodbye for now.
```

Suppose you delete the first line, change “brown” to “blue” on the second line, and add a final line, creating a file *fileB*:

```
The quick blue fox jumped over  
the lazy dogs.  
Goodbye for now.  
Linux r00lz!
```

The `diff` command reports two differences labeled `1,2c1` and `4a4`:

```
→ diff fileA fileB  
1,2c1                                fileA lines 1-2 became fileB line 1  
< Hello, this is a wonderful file.    Lines 1-2 of fileA  
< The quick brown fox jumped over  
---                                  diff separator  
> The quick blue fox jumped over      Line 1 of fileB  
4a4                                  Line 4 was added in fileB  
> Linux r00lz!                       The added line
```

The leading symbols `<` and `>` are arrows indicating *fileA* and *fileB*, respectively. This output format is the default: many others are available, some of which can be fed directly to other tools. Try them out to see what they look like.

Option	Output format
<code>-c</code>	Context diff format, as used by the <code>patch</code> command ( <code>man patch</code> ).
<code>-D macro</code>	C preprocessor format, using <code>#ifdef macro ... #else ... #endif</code> .
<code>-u</code>	Unified format, which merges the files and prepends “-” for deletion and “+” for addition. Used by <code>git</code> .
<code>-y</code>	Side-by-side format; use <code>-w</code> to adjust the width of the output.
<code>-q</code>	Don’t report changes, just say whether the files differ.

`diff` can also compare directories. By default, it compares any same-named files in those directories and also lists files that appear in one directory but not the other:

```
→ diff dir1 dir2
```

To compare entire directory trees recursively, run `diff -r` which produces a (potentially massive) report of all differences.

```
→ diff -r dir1 dir2
```

## Useful options

- b Don't consider whitespace.
- B Don't consider blank lines.
- i Ignore case.
- r When comparing directories, recurse into subdirectories.

`diff` is one member of a family of commands that operate on file differences. Some others are `diff3`, which compares three files at a time, and `sdiff`, which merges the differences between two files to create a third file according to your instructions.

---

## comm

`stdin` `stdout` `-file` `--opt` `--help` `--version`

```
comm [options] file1 file2
```

The `comm` command compares two sorted files and produces three columns of output, separated by tabs:

1. All lines that appear in *file1* but not in *file2*.
2. All lines that appear in *file2* but not in *file1*.
3. All lines that appear in both files.

For example, if *commfile1* and *commfile2* contain these lines:

```
commfile1:          commfile2:
apple               baker
baker              charlie
charlie            dark
```

then `comm` produces this three-column output:

```
→ comm commfile1 commfile2
apple
                baker
                charlie
        dark
```

## Useful options

- 1 Suppress column 1.
- 2 Suppress column 2.
- 3 Suppress column 3.
- 23 Show lines that appear only in the first file.
- 13 Show lines that appear only in the second file.
- 12 Show only common lines.

---

**cmp** `stdin stdout -file --opt --help --version`

```
cmp [options] file1 file2 [offset1 [offset2]]
```

The `cmp` command compares two files. If their contents are the same, `cmp` reports nothing; otherwise, it lists the location of the first difference:

```
→ cmp myfile yourfile
myfile yourfile differ: byte 225, line 4
```

By default, `cmp` does not tell you what the difference is, only where it is. It also is perfectly suitable for comparing binary files, as opposed to `diff`, which operates best on text files.

Normally, `cmp` starts its comparison at the beginning of each file, but if you provide offsets, it starts elsewhere:

```
→ cmp myfile yourfile 10 20
```

This comparison begins at the 10th character of *myfile* and the 20th of *yourfile*.

## Useful options

- l Long output: print all differences, byte by byte:

```
→ cmp -l myfile yourfile  
225 167 127
```

The output says that at offset 225 (in decimal), *myfile* has a small “w” (octal 167) but *yourfile* has a capital “W” (octal 127).

- s Silent output: don’t print anything, just exit with an appropriate return code; 0 if the files match, 1 if they don’t. (Or other codes if the comparison fails.)

---

## shasum

`stdin` `stdout` `-file` `--opt` `--help` `--version`

```
shasum -a (256|384|512|512224|512256) [options] files
```

```
shasum --check file
```

The `shasum` command calculates and validates checksums to verify that files are unchanged. By default, `shasum` uses an *insecure* algorithm called SHA-1. Add the option `-a 256` (or a higher value) for cryptographically secure results. Here I produce a 256-bit checksum of the given files (64 hexadecimal digits) using the secure SHA-256 algorithm:

```
→ shasum -a 256 myfile SHA-256 algorithm  
e8183aaa23aa9b74c7033cbc843041fcf1d1e9e937... myfile
```

The second form of the command tests whether a checksum matches the original file, using `--check`:

```
→ shasum -a 256 myfile myfile2 myfile3 > /tmp/mysum  
→ cat /tmp/mysum  
e8183aaa23aa9b74c7033cbc843041fcf1d1e9e937... myfile
```

```
2254f6879ae5fdf174b3a2ebbd7fb4fa41e0ddf4a... myfile2
0bfa73d888300e3d4f5bc9ac302c1eb38e37499b5e... myfile3
→ shasum --check /tmp/mysum
myfile: OK
myfile2: OK
myfile3: OK
→ echo "new data" > myfile2 Change myfile2
→ shasum --check /tmp/mysum
myfile: OK
myfile2: FAILED
myfile3: OK
shasum: WARNING: 1 computed checksum did NOT match
```

Two different files are unlikely to have the same SHA-256 checksum, so comparing their checksums is a reliable way to detect if two files differ.

```
→ shasum -a 256 myfile | cut -c1-64 > /tmp/sum1
→ shasum -a 256 myfile2 | cut -c1-64 > /tmp/sum2
→ diff -q /tmp/sum1 /tmp/sum2
Files /tmp/sum1 and /tmp/sum2 differ
```

---

## md5sum

`stdin stdout -file --opt --help --version`

`md5sum files | --check file`

The `md5sum` command computes checksums using an *insecure* algorithm called MD5. Do not use it for production work. Run it much like `shasum`:

```
→ md5sum myfile myfile2 myfile3 > /tmp/mysum Generate
→ md5sum --check /tmp/mysum Check
```

## Converting Files to Other Formats

`pandoc` Convert from one markup language to another.

`hxselect` Extract information from an HTML file.

`jq` Extract information from a JSON file.

<code>xmllint</code>	Validate and extract information from an XML file.
<code>csvtool</code>	Extract information from a comma-separated values (CSV) file.
<code>split</code>	Split up a file simply into multiple files.
<code>csplit</code>	Split up a file into multiple files using complex criteria.

Have you ever tediously converted a text file from one format to another by hand, or manually extracted values from CSV, JSON, or XML files? Never again! Linux has an arsenal of file-conversion commands that make this kind of work disappear.

---

## **pandoc** `stdin stdout -file --opt --help --version`

`pandoc [options] [files]`

The amazing `pandoc` command converts files of many formats into many other formats. It handles HTML, JSON, CSV, LaTeX, Microsoft DOCX and PPTX, DocBook XML, manpages, numerous flavors of markdown and wiki text, and dozens of other formats. The results aren't perfect and may require a bit of manual cleanup, but they're surprisingly good.<sup>6</sup>

Running `pandoc` couldn't be simpler: just provide an input file and pick an output format with the `-t` option, and `pandoc` prints the converted results. Look how easy it is to convert a CSV file to HTML, GitHub markdown, LaTeX, and JSON:

```
→ cat data.csv Original file
one,two,three,four,five,six,seven
ONE,TWO,THREE,FOUR,FIVE,SIX,SEVEN
1,2,3,4,5,6,7
→ pandoc -t html data.csv CSV to HTML
<table>
<thead>
```

---

<sup>6</sup> I ran `pandoc` to convert material from the third edition of this book, written in DocBook XML, to AsciiDoc for the fourth edition.

```

<tr class="header">
<th>one</th>
<th>two</th>
:
→ pandoc -t gfm data.csv CSV to markdown
| one | two | three | four | five | six | seven |
|-----|-----|-----|-----|-----|-----|-----|
| ONE | TWO | THREE | FOUR | FIVE | SIX | SEVEN |
| 1 | 2 | 3 | 4 | 5 | 6 | 7 |
→ pandoc -t latex data.csv CSV to LaTeX
\begin{longtable}[]{@{}l l l l l l l@{}}
\toprule
one & two & three & four & five & six & seven ...
:
→ pandoc -t json data.csv CSV to JSON
{"blocks":[{"t":"Table","c":[]}, ...

```

Redirect the results to a file, or better yet, add the `-o` option to write the results to an output file, particularly if they're in a binary format. If pandoc can guess the output format from the output filename, you can omit the `-t` option:

```
→ pandoc -o page.pdf page.html HTML to PDF
```

If pandoc can't guess the format of the input file, add the option `-f` ("from"):

```
→ pandoc -o page.pdf -f html page.html
```

## Useful options

pandoc has many more options than I list here, and it supports configuration files for setting multiple options conveniently. See the manpage for details.

```

--list-input-formats  List all supported input formats (34 so far).
--list-output-formats List all supported output formats (57 so far).
-f input_format     Explicitly convert from this format.
-t output_format    Explicitly convert to this format.
-o file              Write the output to this file.

```



`--wrap=type`

Determine whether text should be wrapped in the output. Values are none for no wrapping, auto to wrap at 72 columns, or preserve to keep the same wrapping as the original file.

`--columns=N`

Wrap the next at column *N* (default=72).

---

## hxselect

`stdin stdout -file --opt --help --version`

`hxselect [options] CSS_selectors`

The `hxselect` command extracts strings from HTML data based on CSS selectors. For example, extract all `div` tags from a file `page.html`:

→ **cat page.html**

*Original file*

```
<html>
  <head>
</head>
  <body>
    <div>
      This is the first div.
    </div>
    <div class="secondary">
      This is the second div.
    </div>
  </body>
</html>
```

→ **hxselect 'div' < page.html**

*Print one div*

```
<div>
  This is the first div
</div><div class="secondary">
  This is the second div
</div>
```

→ **hxselect -c 'div' < page.html**

*Contents*

```
This is the first div
This is the second div
```

→ **hxselect -c 'div.secondary' < page.html**

*By selector*

```
This is the second div
```

For best results, pass the content first through `hxnormalize -x` to clean up the HTML code.

→ `hxnormalize -x page.html | hxselect ...`

Pipe the source of a web page to `hxselect` using `curl`:

→ `curl url | hxnormalize -x | hxselect ...`

## Useful options

- c Just print the content within tags, not the tags themselves.
- i Match strings case-insensitively.

---

## jq stdin stdout -file --opt --help --version

`jq [options] filter [JSON_files]`

The `jq` command extracts and manipulates JSON data, according to a filter that you provide, and pretty-prints the results. I present a few examples of using this powerful tool (see the manpage for more).

→ `cat book.json` *Original file*

```
{
  "title": "Linux Pocket Guide",
  "author": "Daniel J. Barrett",
  "publisher": {
    "name": "O'Reilly Media",
    "url": "https://oreilly.com"
  },
  "editions": [1, 2, 3, 4]
}
```

→ `jq .title book.json` *Simple value*

```
"Linux Pocket Guide"
```

→ `jq .title, .author book.json` *Multiple values*

```
"Linux Pocket Guide"
"Daniel J. Barrett"
```

→ `jq .publisher book.json` *Object*

```
{
```

```

    "name": "O'Reilly Media",
    "url": "https://oreilly.com"
}
→ jq .publisher.url book.json           Nested value
"https://oreilly.com"
→ jq .editions book.json               Array
[
  1,
  2,
  3,
  4
]
→ jq .editions[0] book.json           One array value
1
→ jq '.editions|length' book.json     Array length
4
→ jq '.editions|add' book.json        Sum 1+2+3+4
10
→ cat oneline.json                   A one-line JSON file
{"title": "Linux Pocket Guide", "author": ...
→ jq < oneline.json                  Pretty-print the file
{
  "title": "Linux Pocket Guide",
  "author": ...
  :

```

## Useful options

- f *file* Read the filter from a file instead of the command line.
- S Sort the output by its JSON keys.

---

## xmllint

**stdin** **stdout** **-file** **--opt** **--help** **--version**

xmllint [*options*] [*XML\_files*]

The xmllint command validates and extracts XML data. Validating a valid XML file just prints the contents. Add the option --noout to suppress the output.

```
→ xmllint good.xml
<?xml version="1.0"?>
<hello> </hello>
→ xmllint --noout good.xml
→ echo $?
0
```

*Success code*

An invalid XML file prints an error:

```
→ cat bad.xml
<?xml version="1.0"?>
<hello> </helo>
→ xmllint bad.xml
bad.xml:2: parser error : Opening and ending tag
mismatch: hello line 2 and helo
:
→ echo $?
1
```

*Mismatched tags*

*Error code*

Provide an **XPath expression** to extract data:

```
→ cat book.xml
<?xml version="1.0"?>
<book>
  <title>Linux Pocket Guide</title>
  <author>Daniel J. Barrett</author>
  <pub>
    <name>O'Reilly Media</name>
    <url>https://oreilly.com</url>
  </pub>
  <eds>
    <ed id="1">First edition</ed>
    <ed id="2">Second edition</ed>
    <ed id="3">Third edition</ed>
    <ed id="4">Fourth edition</ed>
  </eds>
</book>
→ xmllint --xpath '//book/title' book.xml
<title>Linux Pocket Guide</title>
→ xmllint --xpath '//book/title/text()' book.xml
Linux Pocket Guide
→ xmllint --xpath '//book/pub/url/text()' book.xml
https://oreilly.com
```

*Original file*

```
→ xmllint --xpath '//book/eds/ed[@id][4]' book.xml
<ed id="4">Fourth edition</ed>
→ xmllint --xpath '//book/eds/ed[@id][4]/text()' \
  book.xml
Fourth edition
```

## Useful options

```
--xpath path Query the given XPath expression in the XML data.
--format      Print the output nicely formatted.
--noout      Don't print output.
```

---

## csvtool

**stdin** **stdout** **-file** **--opt** **--help** **--version**

csvtool [*options*] *command* [*command\_args*] *CSV\_files*

The csvtool command extracts data from CSV files. It can extract columns:

```
→ cat data.csv Original file
```

```
one,two,three,four,five,six,seven
ONE,TWO,THREE,FOUR,FIVE,SIX,SEVEN
1,2,3,4,5,6,7
```

```
→ csvtool col 3 data.csv One column
```

```
three
THREE
3
```

```
→ csvtool col 2,5-7 data.csv Multiple columns
```

```
two,five,six,seven
TWO,FIVE,SIX,SEVEN
2,5,6,7
```

It can count the number of rows and columns:

```
→ csvtool height data.csv Number of rows
```

```
3
```

```
→ csvtool width data.csv Number of columns (max)
```

```
7
```

It can insert values from each row into longer strings:

```
→ csvtool format 'Third column is "%3"\n' data.csv
Third column is "three"
Third column is "THREE"
Third column is "3"
```

It can remove the first row, which often contains headings:

```
→ csvtool drop 1 data.csv
ONE,TWO,THREE,FOUR,FIVE,SIX,SEVEN
1,2,3,4,5,6,7
```

It can isolate a single value, say, row 2, column 6:

```
→ csvtool drop 1 data.csv \      Delete the first row
  | csvtool head 1 - \          Print the first remaining row
  | csvtool col 6 -            Extract column 6
SIX
```

and much more. The `csvtool` manpage is sparse, so run `csvtool --help` for more information.

## Useful options

- c *char* Change the input separator character from a comma to *char*. For tab characters, use -c TAB.
- o Same as -c but for the output separator character.

---

## split stdin stdout -file --opt --help --version

```
split [options] [file [prefix]]
```

The `split` command divides a file into equal-sized pieces (for various definitions of “equal-sized”) and stores them in separate files. The output files are named sequentially, such as *Xaa*, *Xab*, *Xac*, and so on, by default. *X* is called the *prefix* and the endings *aa*, *ab*, and so on, are the *suffix*.

Divide the input file by number of lines:

```
→ split hugefile           1000 lines each
→ split -l 2000 hugefile   2000 lines each
```

or by bytes:

→ **split -b 1024 hugefile**     *1024 bytes each*

or split it at a given character, called the separator:

→ **split -t@ -l1 hugefile**     *Separator character is @*

Optionally change the prefix with a final argument:

→ **split hugefile part-**     *Set the prefix to “part-”*

→ **ls**

hugefile part-aa part-ab part-ac part-ad ...

`split` can help you work with files that are too large to load into other programs, or too large to store on offline media. Reassemble the parts afterward with `cat`:

→ **cat part-\* > /tmp/outfile**     *Join part-aa, part-ab, etc.*

## Useful options

- l *lines*     Split into files of this many lines or records.
- b *bytes*     Split into files of this many bytes.
- t *separator*     Set the separator character, if any, between records.
- a *length*     Set the length of the suffix, in characters.
- d     Use numeric suffixes instead of letters, starting from zero. Change the starting value to *N* with `--numeric-suffixes N`.

---

**csplit**     *stdin* *stdout* -file --opt --help --version

`csplit` [*options*] *file patterns*

The `csplit` command divides one file into many based on regular expressions. The output files are named sequentially, such as `xx01`, `xx02`, `xx03`, and so on, by default. `xx` is called the *prefix* and the endings `01`, `02`, and so on, are the *suffix*. By default, `csplit` prints the size of each file it creates.

The syntax is a bit unusual. After the input filename, provide one or more patterns that represent dividing lines in the file. Patterns have two types:

### *Regular expressions*

An expression (see [Table 2-2](#)) enclosed in forward slashes, such as `/^[A-Z]*$/` for a line of all uppercase letters. Each expression is matched just once by default.

### *Repeaters*

A repeater has the form `{N}` which means “match the preceding pattern up to *N* times.” An example is `{2}` which matches its preceding pattern twice. The special repeater `{*}` matches its preceding pattern as many times as possible until the input ends.

`csplit` is great for splitting up structured text such as HTML, XML, or programming source code.

→ **cat page.html** *Original file*

```
<html>
  <head>
</head>
  <body>
    <div>
      This is the first div.
    </div>
    <div class="secondary">
      This is the second div.
    </div>
  </body>
</html>
```

Use four patterns (in quotes below) to split a file at the first `<head>`, then at the next `<body>`, and then at every `<div>` tag:

```
→ csplit page.html '/<head>/' '/<body>/' '/<div/' '{*}'
7
19
9 Sizes of the output files, in bytes
49
86
```



View the five output files:

```
→ ls xx*
xx00 xx01 xx02 xx03 xx04
→ cat xx00
<html>
→ cat xx01
  <head>
  </head>
→ cat xx02
  <body>
→ cat xx03
  <div>
    This is the first div
  </div>
→ cat xx04
  <div class="secondary">
    This is the second div
  </div>
  </body>
</html>
```

## Useful options

- f *prefix* Set the prefix for output filenames.
- n *length* Set the suffix for output filenames to be *length* digits long.
- s Silent operation: don't print the sizes of the generated files.

## PDF and PostScript File Handling

- |                |  |
|----------------|--|
| pdftotext      | Extract text from PDF files.                             |
| ps2ascii       | Extract text from PostScript or PDF files.               |
| pdfseparate    | Extract individual pages from a PDF file.                |
| pdftk          | Split, join, rotate, and otherwise manipulate PDF files. |
| pdf2ps, ps2pdf | Convert between PDF and PostScript file formats.         |
| ocrmypdf       | Perform optical character recognition (OCR) on a PDF.    |

To view PDF files and PostScript files on Linux, you'll need a graphical desktop and a document viewer like these:<sup>7</sup>

- **okular sample.pdf** *KDE's document viewer*
- **evince sample.pdf** *GNOME's document viewer*
- **gv sample.pdf** *Ghostscript viewer*

In addition, Linux has a rich set of command-line tools to work with PDF and Postscript files without displaying them. They are well worth learning, especially the amazing `pdftk`.

---

## **pdftotext** *stdin stdout -file --opt --help --version*

`pdftotext [options] [file.pdf [outfile.txt]]`

The `pdftotext` command extracts text from a PDF file and writes it to a file. This works if the PDF contains actual text, not images that look like text (in which case, run `ocrmypdf` first).

- **pdftotext sample.pdf** *Creates sample.txt*

### **Useful options**

- f *N* Begin with page *N* of the PDF file. You must have a space between the option and the number.
- l *N* End with page *N* of the PDF file. You must have a space between the option and the number.
- htmlmeta Generate HTML rather than plain text (creates *sample.html*).
- eol *OS* Write end-of-line characters for the given operating system, *OS*, which can be `dos`, `mac`, or `unix`.

---

<sup>7</sup> To edit PDF files, the best Linux program I've used is Master PDF Editor by **Code Industry**, a commercial product.

---

## ps2ascii

`stdin stdout -file --opt --help --version`

`ps2ascii file.(ps|pdf) [outfile.txt]`

The `ps2ascii` command extracts text from a PostScript file. It's a simple command with no options.<sup>8</sup> To extract text from *sample.ps* and place it into */tmp/extracted.txt*:

→ `ps2ascii sample.ps /tmp/extracted.txt`

`ps2ascii` can also extract text from a PDF file, though you wouldn't guess that from the command name.

→ `ps2ascii sample.pdf /tmp/extracted2.txt`

---

## pdfseparate

`stdin stdout -file --opt --help --version`

`pdfseparate [options] [file.pdf] [pattern.txt]`

The `pdfseparate` command splits a PDF file into separate PDF files, one per page. For example, if *one.pdf* has 10 pages, then the following command creates 10 PDF files in */tmp* named *split1.pdf* through *split10.pdf*, each containing one page:

→ `pdfseparate one.pdf /tmp/split%d.pdf`

The final argument is a pattern to form the names of the individual page files. The special notation `%d` stands for the extracted page number.

---

<sup>8</sup> Actually, `ps2ascii --help` describes command-line options, but they don't work. They are the options of a related command, `gs`, invoked by `ps2ascii`.

## Useful options

- f *N* Begin with page *N* of the PDF file. You must have a space between the option and the number.
- l *N* End with page *N* of the PDF file. You must have a space between the option and the number.

---

**pdftk**                    **stdin** **stdout** **-file** **--opt** **--help** **--version**

pdftk [*arguments*]

pdftk is the Swiss Army knife of PDF commands. This versatile program can extract pages from a PDF file, join several PDFs into one, rotate pages, add watermarks, encrypt and decrypt files, and much more, all from the command line. This power comes with quirky syntax, unfortunately, but with a little effort you can learn a few useful tricks.

To join the files *one.pdf* and *two.pdf* into a single PDF file, *combined.pdf*:

→ **pdftk one.pdf two.pdf cat output combined.pdf**

To extract pages 3, 5, and 8–10 from the file *one.pdf* and write them to *new.pdf*:

→ **pdftk one.pdf cat 3 5 8-10 output new.pdf**

Extract the first five pages from *one.pdf* and the odd-numbered pages from *two.pdf* and combine them as *combined.pdf*:

→ **pdftk A=one.pdf B=two.pdf cat A1-5 Bodd output \**  
**combined.pdf**

Copy the file *one.pdf* to *new.pdf*, but with page 7 rotated by 90 degrees clockwise (“east”):

→ **pdftk one.pdf cat 1-6 7east 8-end output new.pdf**

Interleave the pages of *one.pdf* and *two.pdf*, creating *mixed.pdf*:

→ **pdftk one.pdf two.pdf shuffle output mixed.pdf**

The criteria for page selection are very powerful and typically appear before the output keyword. They consist of one or more page ranges with qualifiers. A page range can be a single page like 5, a range like 5-10, or a reverse range like 10-5 (which reverses the pages in the output). Qualifiers can remove pages from a range, like 1-100~20-25, which means “all pages from 1 to 100 except for pages 20 to 25.” They can also specify only odd pages or even pages, using the keywords `odd` or `even`, and rotations using the compass directions `north`, `south`, `east`, and `west`. I’ve only scratched the surface of `pdftk`’s abilities. The manpage has more details and examples.

---

## pdf2ps

`stdin` `stdout` **-file** **--opt** **--help** **--version**

`pdf2ps` [*options*] *file.pdf* [*file.ps*]

`ps2pdf` [*options*] *file.ps* [*file.pdf*]

The `pdf2ps` command converts an Adobe PDF file into a PostScript file. If you don’t provide an output filename, the default is to use the input filename, with `.pdf` replaced by `.ps`.

→ **pdf2ps sample.pdf converted.ps**

To go in the opposite direction, converting a PostScript file to PDF format, use `ps2pdf`:

→ **ps2pdf sample.ps converted.pdf**

---

## ocrmypdf

`stdin` `stdout` **-file** **--opt** **--help** **--version**

`ocrmypdf` [*options*] *input\_file* *output\_file*

The `ocrmypdf` command performs optical character recognition (OCR) to create a searchable PDF file. The input file can be an image file or a PDF file that contains images.

- `ocrmypdf imageoftext.png outfile.pdf` *Convert*
- `okular outfile.pdf` *Display*

## Useful options

- l *language* Use *language* rather than English. For a list of languages, run `tesseract --list-langs`.
- r Attempt to rotate pages into their correct orientation.

## Printing

- `lpr` Print a file.
- `lpq` View the print queue.
- `lprm` Remove a print job from the queue.

Linux has two popular printing systems, CUPS and LPRng. Both systems use commands named `lpr`, `lpq`, and `lprm`, but their options are different on CUPS and LPRng. I'll present common options that work with both systems.

To install and maintain printers, GNOME and KDE have printer configuration tools in their system settings. To troubleshoot a CUPS printer, visit <http://localhost:631> to access your computer's CUPS management system.

---

**lpr** `stdin stdout -file --opt --help --version`

`lpr [options] [files]`

The `lpr` (line printer) command sends a file to a printer:

- `lpr myfile` *Print on default printer*
- `lpr -P myprinter myfile` *Print on a named printer*

## Useful options

- P *printername* Send the file to printer *printername*, which you have previously set up.
- # *N* Print *N* copies of the file. (The option is a literal hash mark.)
- J *name* Set the job *name* that prints on the cover page (if your system is set up to print cover pages).

---

## lpq

`stdin` `stdout` `-file` `--opt` `--help` `--version`

`lpq` [*options*]

The `lpq` (line printer queue) command lists print jobs that are waiting to be printed.

## Useful options

- P *printername* List the queue for printer *printername*.
- a List the queue for all printers.
- l Be verbose: display information in a longer format.

---

## lprm

`stdin` `stdout` `-file` `--opt` `--help` `--version`

`lprm` [*options*] [*job\_IDs*]

The `lprm` (line printer remove) command cancels one or more print jobs. Use `lpq` to learn the ID of the desired print jobs (say, 61 and 78), then run:

→ `lprm -P printer_name 61 78`

If you don't supply any job IDs, your current print job is canceled. (The superuser can cancel other users' jobs.) The `-P` option specifies which print queue contains the job.

# Spellchecking

`look` Look up the spelling of a word quickly.

`aspell` Interactive spelling checker.

`spell` Batch spelling checker.

Linux has several spellcheckers built in. If you're accustomed to graphical spellcheckers, you might find Linux's text-based ones fairly primitive, but they're useful in a pinch (or a pipeline).

---

## look

`stdin` `stdout` `-file` `--opt` `--help` `--version`

`look` [*options*] *prefix* [*dictionary\_file*]

The `look` command prints words that begin with a given string *prefix*. The words are located in a dictionary file (default `/usr/share/dict/words`):

```
→ look bigg
bigger
biggest
Biggs
```

If you supply your own dictionary file—any text file with alphabetically sorted lines—`look` prints all lines in the dictionary that begin with the given *prefix*.

## Useful options

`-f` Ignore case. Needed only if you supply a dictionary file.



---

## aspell

`stdin stdout -file --opt --help --version`

`aspell [options] file`

`aspell` is an interactive spellchecker. It identifies words that it doesn't recognize and presents alternatives. A few useful commands are:

`aspell -c file`

Interactively check, and optionally correct, the spelling of all words in *file*.

`aspell dump master`

Print `aspell`'s master dictionary on standard output.

`aspell help`

Print a concise help message. See <http://aspell.net> for more information.

---

## spell

`stdin stdout -file --opt --help --version`

`spell [files]`

The `spell` command prints all words in the given files that are misspelled, according to its dictionary. It is not interactive.

→ **cat badwords**

This Linux file has some spelling errors.

You may naturally wonder if a spelling checker will pick them up. Careful Linuxx users should run thier favorite spelling checker on this file.

→ **spell badwords**

naturaly

Linuxx

thier



---

# System Administration Basics

## Becoming the Superuser

Normal users, for the most part, can modify only the files they own. One special user, called the *superuser* or *root*, has full access to the machine and can do anything on it. Superuser privileges are mainly for system administration tasks; use them only when absolutely necessary so you don't accidentally harm your Linux system. And don't log in as root unless you must (e.g., when rescuing a broken boot process).

---

### WARNING

Superuser commands can destroy a Linux system if you're not careful.

---

You can become the superuser in several ways. One is to use the `sudo` command to gain superuser abilities for the duration of a single command. Simply type “`sudo`” followed by the command. You may be prompted for your password, depending on how `sudo` is configured on your machine:

```
→ sudo rm some_protected_file  
[sudo] password: xxxxxxxx Your own password
```

To maintain your superuser powers without constantly running `sudo`, launch a superuser shell with either of the following commands:

```
→ sudo -s  
→ sudo bash
```

A superuser shell is convenient, say, for browsing through many protected directories with `cd`. When finished executing commands as the superuser, press `^D` or run `exit` to end the superuser shell and become yourself again. If you forget whether your shell is a superuser shell or just a normal one, check your identity with the `whoami` command. If you're the superuser, it displays `root`.

Another way to become the superuser is the `su` command, which also creates a superuser shell, but you'll need a different password, called the root password, to use it. (Whoever installed Linux chose the root password during installation.)

```
→ su  
Password: xxxxxxxx root password  
#
```

Your shell prompt may change, often to a hash mark (`#`), to indicate you are the superuser. Add the option `-l` to run a login shell that includes `root`'s full environment, such as `root`'s shell aliases.

```
→ su -l Run a login shell  
Password: xxxxxxxx root password  
#
```

If you provide a username to `sudo` or `su`, you become that user, provided you have the prerequisites:

```
→ sudo -u sophia command Become user sophia with sudo  
[sudo] password: xxxxxxxx You must have sudo permission  
→ su sophia Become user sophia with su  
Password: xxxxxxxx You must know sophia's password
```

Use `sudo` rather than `su` whenever possible, especially if your system has multiple users. `su` relies on a shared password, which is a security concern. `sudo` uses your own password, but it must be configured to do so (and many distros come with `sudo` preconfigured). `sudo` also provides precise control over privileges in the file `/etc/sudoers`, and it even logs the commands that users run. A full discussion is beyond the scope of this book: see `man sudo` for details.

## Viewing Processes

- `ps` List processes.
- `pgrep` List the IDs of processes that match a regular expression.
- `uptime` View the system load.
- `w` List active processes for all users.
- `top` Monitor resource-intensive processes interactively.
- `free` Display free memory.

A *process* is a unit of work on a Linux system. Each program you run represents one or more processes, and Linux provides commands for viewing and manipulating them. Every process is identified by a numeric *process ID*, or PID, and can be examined in the directory `/proc` (see “[Kernel-Related Directories](#)” on [page 33](#)).

Processes are different from jobs (see “[Shell Job Control](#)” on [page 49](#)). Processes are part of the OS. Jobs are higher-level constructs known only to the shell in which they’re running. A running program comprises one or more processes; a shell job consists of one or more programs executed as a shell command.

---

**ps**`stdin stdout -file --opt --help --version``ps [options]`

The `ps` command displays information about your running processes, and optionally the processes of other users:

```
→ ps
  PID TTY          TIME CMD
 4706 pts/2        00:00:01 bash
15007 pts/2        00:00:00 emacs
16729 pts/2        00:00:00 ps
```

`ps` has at least 80 options; I cover just a few useful combinations. If the options seem arbitrary or inconsistent, it's because the supplied `ps` command (GNU `ps`) incorporates the features of several other, competing `ps` commands, attempting to be compatible with all of them.

View your processes:

```
→ ps -ux
```

View all processes owned by user “smith”:

```
→ ps -U smith
```

View all occurrences of a running program:

```
→ ps -C python
```

View processes on terminal *N*:

```
→ ps -tN
```

View particular processes 1, 2, and 3505:

```
→ ps -p1,2,3505
```

View all processes with their command lines truncated to the width of the screen:

```
→ ps -ef
```

View all processes with full command lines:

```
→ ps -efww
```

View all processes in a threaded view that indents child processes below their parents:

```
→ ps -efH
```

Use `grep` and other filter commands to extract information more finely from the output of `ps`:

```
→ ps -ux | grep python
```

---

## pgrep

`stdin` `stdout` `-file` `--opt` `--help` `--version`

```
pgrep [options] regex
```

The `pgrep` command prints the process IDs (PIDs) of processes that match certain criteria, given by a regular expression. (A similar command, `pidof`, matches only fixed strings.) For example, print the PIDs of all running python processes:

```
→ pgrep python
4675
79493
82866
83114
```

or count the processes by adding the option `-c`:

```
→ pgrep -c python
4
```

Limit the results to processes owned by a particular user:

```
→ pgrep -u smith
79493
```

`pgrep` is most useful for passing a list of related PIDs to another command. For example, locate processes that match a string, using `ps` and command substitution (see “[Command substitution](#)” on page 45).

```
→ ps -fwp $(pgrep python)
```

See more examples of `pgrep` with the `kill` command in “Controlling Processes” on page 169.

## Useful options

- d *string* Use *string* as the delimiter character between PIDs (newline by default).
- u *user* Print only processes running as the given username or user ID (UID). This is the effective user ID. For real user ID, use `-U`.
- f Match against the process’s full command line, not just its name.
- x Exact match, rather than a substring match.
- v Print PIDs of processes that *don’t* match.

---

## uptime

`stdin` `stdout` `-file` `--opt` `--help` `--version`

`uptime`

The `uptime` command tells you how long the system has been running since the last boot:

```
→ uptime
 10:54pm up 8 days, 3:44, 3 users,
load average: 0.89, 1.00, 2.15
```

This information is, from beginning to end: the current time (10:54 p.m.), system uptime (8 days, 3 hours, 44 minutes), number of users logged in (3), and system load average for three time periods: 1 minute (0.89), 5 minutes (1.00), and 15 minutes (2.15). The load average is the average number of processes ready to run in that time interval.



---

## W

`stdin stdout -file --opt --help --version`

`w [username]`

The `w` command displays the current process running in each shell for all logged-in users:

```
→ w
 10:51pm up 8 days, 3:42, 8 users,
 load average: 2.02, 3.79, 5.44
USER      TTY      FROM    LOGIN@  IDLE   JCPU   PCPU   WHAT
barrett pts/0    :0      Sat 2pm 27:13m 0.07s  0.07s emacs
jones    pts/1    host1   6Sep03  2:33m 0.74s  0.21s bash
smith    pts/2    host2   6Sep03  0.00s 13.35s 0.04s w
```

The top line is the same one printed by `uptime`. The columns indicate the user's terminal, originating host or X display (if applicable), login time, idle time, two measures of the CPU time (run `man w` for details), and the current process. Provide a username to see only that user's information.

For the briefest output, try `w -hfs`.

### Useful options

- h Don't print the header line.
- f Don't print the FROM column.
- s Don't print the JCPU and PCPU columns.

---

## top

`stdin stdout -file --opt --help --version`

`top [options]`

The `top` command monitors the most active processes, updating the display at regular intervals (every 3 seconds, by default):

→ **top**

```
top - 13:02:14 up 1 day, 32 min, 9 users, ...
Tasks: 719 total, 2 running, 717 sleeping, 0 stopped...
%Cpu(s): 0.3 us, 0.2 sy, 0.0 ni, 99.6 id, 0.0 wa, ...
MiB Mem : 31950.5 total, 3040.6 free, 5267.4 used ...
MiB Swap: 32000.0 total, 31991.7 free, 8.2 used ...
```

```
PID  USER  PR NI  VIRT  SHR  S   %CPU  %MEM  TIME  CMD
26265 smith 20  0 1092 840  R   4.7   0.2  0:00  top
      1  root 20  0  540 472  S   0.0   0.1  0:07  systemd
      914 www  0  0    0   0  SW  0.0   0.0  0:00  httpd
:
```

While `top` runs, change its behavior interactively by pressing keys, such as setting the update speed (`s` key), hiding idle processes (`i`), or killing processes (`k`). Press `h` to list the keystrokes and `q` to quit. For similar commands to monitor your system's I/O and network bandwidth, try `iotop` and `iftop`. Also check out the all-in-one command `btop`, which displays stats for your CPUs, disks, processes, and network interfaces together.

## Useful options

- nN* Perform *N* updates, then quit.
- dN* Update the display every *N* seconds.
- pN* Display the process with PID *N*. You may repeat this option for up to 20 PIDs.
- c* Display the command-line arguments of processes.
- b* Print on standard output instead of behaving like an interactive application. Suitable for piping or redirecting the output to a file. To save a single iteration of `top` to a file, run `top -b -n1 > outfile`.

---

## free

`stdin` `stdout` `-file` `--opt` `--help` `--version`

`free [options]`

The `free` command displays total memory use in KB:

→ **free**

```
      total      used      free  shared  buf/cache  available
Mem:  523812  491944    31868        0    224812    299000
Swap: 530104         0    530104
```

The Linux kernel reserves memory for caching purposes (buf/cache column), so your best estimate of free RAM in the preceding output is in the available column (i.e., 299,000 KB) rather than the free column (31,868 KB).

## Useful options

- s *N* Run continuously and update the display every *N* seconds.
- m Display amounts in MB.
- h Display amounts in human-readable units like “Gi” for GB.
- t Add a totals row at the bottom.

## Controlling Processes

- kill Terminate a process (or send it a signal).
- killall Terminate processes by name (or send them a signal).
- timeout Kill a command that runs for too long.
- nice Invoke a program at a particular priority.
- renice Change a process’s priority as it runs.
- nohup Run a process that continues after you log out.
- flock Ensure that only one instance of a command runs at a time.

Once processes are started, they can be stopped, restarted, killed, and prioritized. I discussed some of these operations as handled by the shell in [“Shell Job Control” on page 49](#). Let’s continue to killing and prioritizing processes.

---

## kill

`stdin` `stdout` `-file` `--opt` `--help` `--version`

`kill` [*options*] [*process\_ids*]

The `kill` command sends a signal to a process. This can terminate a process (the default action), interrupt it, suspend it, crash it, and so on. You must own the process, or be the superuser, to affect it. To terminate process 13243, run:

→ `kill 13243`

If this does not work—some programs catch this signal without terminating—add the `-KILL` or (equivalently) `-9` option:

→ `kill -KILL 13243`

which is virtually guaranteed to work. However, this is not a clean exit for the program, which may leave resources allocated (or cause other inconsistencies) upon its death.

To learn the PID of a process, run `ps` and examine the output, or better yet, run `pgrep` to produce the PID directly:

```
→ ps -uax | grep emacs
smith 8374 ... emacs myfile.txt Actual emacs process
smith 9051 ... grep emacs      Spurious result to ignore
→ pgrep emacs                  More accurate output
8374
```

Now kill this process by PID, or kill it by name using command substitution (see [“Command substitution” on page 45](#)):

```
→ kill 8374                    Kill by PID
→ kill $(pgrep emacs)         Kill by name
```

Or use the `pkill` command to kill all processes for a given program:

→ `pkill emacs`

In addition to the `kill` program in the filesystem (usually `/bin/kill`), most shells have built-in `kill` commands. Their syntax and behavior differ, but they all support the following usage:

```
kill -N PID
kill -NAME PID
```

where *N* is a signal number, *NAME* is a signal name without its leading “SIG” (e.g., to send the SIGHUP signal, use `-HUP`), and *PID* is the ID of the process to kill. To see a complete list of signals transmitted by `kill`, run `kill -l`, though its output differs depending on which `kill` you’re running. For descriptions of the signals, run `man 7 signal`.

---

## timeout

`stdin` `stdout` `-file` `--opt` `--help` `--version`

```
timeout [options] seconds command..
```

The `timeout` command sets a time limit for running a program, in seconds. If the program runs longer than the limit, `timeout` kills it. As a demonstration, here is a `sleep` command that should run for one minute but is killed after 3 seconds:

```
→ timeout 3 sleep 60 Killed after 3 seconds
```

As a more practical example, play music from your MP3 collection for an hour (3,600 seconds), then stop:

```
→ timeout 3600 mplayer *.mp3
```

### Useful options

- s *signal* Send a signal other than the default (TERM). The choices are the same ones listed by `kill -l`.
- k *seconds* If the program doesn’t die after the first signal, wait this many seconds longer and send a deadly KILL signal.

```
nice [-n level] command_line
```

When invoking a system-intensive program, be nice to the other processes (and users) by lowering its priority. That's what the `nice` command is for: it sets a *nice level* (an amount of “niceness”) for a process so it receives less attention from the Linux process scheduler.<sup>1</sup> Here's an example of setting a big job to run at nice level 7:

```
→ nice -n 7 sort hugefile > outfile
```

Normal processes (run without `nice`) run at level zero, which you can see by running `nice` with no arguments:

```
→ nice  
0
```

If you omit the `-n` option, the default nice level is 10. The superuser can also lower the nice level, increasing a process's priority:

```
→ sudo nice -n -10 some_program
```

The nice levels of processes appear in the output of `ps` (the `NI` column) and `top` (the `N` column).

```
→ ps -o pid,user,args,nice
```

For programs with a lot of disk accesses, also check out the command `ionice`, which is like `nice` for input/output.

---

<sup>1</sup> This is called “nicing” the process. You'll hear the term used as a verb: “I niced the process to 12.”

---

## renice

`stdin stdout -file --opt --help --version`

`renice [-n N] [options] PID`

While the `nice` command invokes a program at a given nice level, `renice` changes the nice level of an already-running process. As a quick (though trivial) test, create a process that just sleeps for 2 minutes, run it in the background, and raise its nice level by 5:

```
→ sleep 120 &
→ pgrep sleep
2673
→ renice -n 5 -p 2673
2673 (process ID) old priority 0, new priority 5
```

Ordinary users can increase the nice level of their own processes, while the superuser can also decrease the level (increasing the priority) and can operate on any process. The valid range is  $-20$  to  $+20$ , but avoid large negative values or you might interfere with vital system processes.

### Useful options

- `-p pid` Affect the process with the given ID, *pid*. You can omit the `-p` and just provide a PID (`renice -n 5 28734`).
- `-u username` Affect all processes owned by the given user.

---

## nohup

`stdin stdout -file --opt --help --version`

`nohup command`

Use `nohup` to keep a command running after you terminate the shell that launched it. Ordinarily, when a shell or other process terminates, its child processes are sent a termination signal, called a hangup signal. The command `nohup`, which stands for “no hangup,” causes the named command to ignore hangup signals.

```
→ nohup some_long_running_command &
```

If the supplied command writes to stdout or stderr, nohup redirects output to a file *nohup.out* in the current directory (if you have permission) or in your home directory (if you don't).

---

**flock**                                    `stdin` `stdout` `-file` `--opt` `--help` `--version`

`flock` [*options*] *lockfile* *command*...

Do you ever need to ensure that only one instance of a program runs at a time on your computer? For example, if you run automatic backups every hour using a command like `rsync`, there's a slight chance that a previous backup might still be running when the next backup launches. The `flock` command solves this sort of problem. It creates a lock file that prevents a command, such as a backup script, from running concurrently with itself. If you try to run two copies of the command at once with the same lock file, the second fails. For example, this `rsync` command, when run with `flock` and the lock file `/tmp/mylock`, instantly fails if another instance of the same command is already running:

```
→ flock -n /tmp/mylock rsync -av dir1 dir2
```

To see `flock` in action, open two shell windows and run the following command in each shell, one at a time (I use the `sleep` command as a demonstration, which does nothing but wait for a given number of seconds):

```
→ flock -n /tmp/mylock sleep 60
```

The first command runs and the second instantly terminates because they have the same *lockfile*. This can be any file or directory name, which `flock` treats as a unique marker to prevent other commands from running. For example, if you run the preceding `sleep` command in one shell and a different command such as `ls` in another, with the same lock file:



→ **flock -n /tmp/mylock ls**

then **flock** prevents the second command (**ls**) from running.

## Useful options

- n Instantly fail if another command is already running.
- w *N* Fail after waiting *N* seconds, if another command is already running.
- s Use a shared lock instead of an exclusive lock. You can run multiple commands simultaneously with this option, but **flock** fails if you omit the option. This is useful to limit the number of commands that can run simultaneously.

## Scheduling Jobs

**sleep** Wait a set number of seconds, doing nothing.

**watch** Run a command at set intervals.

**at** Schedule a job for a single, future time.

**crontab** Schedule jobs for many future times.

If you need to launch programs at particular times or at regular intervals, Linux provides several scheduling tools with various degrees of complexity.

---

**sleep** `stdin` `stdout` `-file` `--opt` `--help` `--version`

**sleep** *time\_specification*

The **sleep** command simply waits a set amount of time. The given time specification can be an integer (meaning seconds) or an integer followed by the letter **s** (also seconds), **m** (minutes), **h** (hours), or **d** (days). For example:

→ **sleep 5m** *Do nothing for 5 minutes*

`sleep` is useful to delay a command for a set amount of time:

```
→ sleep 3 && echo 'Three seconds have passed.'
```

*(3 seconds pass)*

```
Three seconds have passed.
```

---

## watch

`stdin` `stdout` `-file` `--opt` `--help` `--version`

```
watch [options] command
```

`watch` executes a supplied command at regular intervals; the default is every two seconds. The command is passed to the shell (so be sure to quote or escape any special characters), and the results are displayed in a full-screen mode, so you can observe the output conveniently and see what has changed. For example, `watch -n 1 date` executes the `date` command once per second, sort of a poor man's clock. Press `^C` to exit.

### Useful options

- `-n seconds` Set the time between executions, in seconds.
- `-d` Highlight differences in the output, to emphasize what has changed from one execution to the next.
- `-g` Exit when the command produces output that is different from the previous execution.

---

## at

`stdin` `stdout` `-file` `--opt` `--help` `--version`

```
at [options] time_specification
```

The `at` command schedules one or more shell commands to run later:

```
→ at 7am next sunday
```

```
at> echo Remember to go shopping | mail smith
```

```
at> lpr $HOME/shopping-list
```

```
at> ^D
```

<EOT>

job 559 at 2024-09-08 21:30

If the host is sleeping or off at the scheduled time, the job will run immediately when the host comes up again. The time specifications understood by `at` are enormously flexible, such as:

- A time followed by a date (not a date followed by a time)
- Only a date (assumes the current clock time)
- Only a time (assumes the very next occurrence, whether today or tomorrow)
- A special word like `now`, `midnight`, or `teatime (16:00)`
- Any of the preceding followed by an offset, like “+ 3 days”

Dates may take many forms: `december 25 2030`, `25 december 2030`, `december 25, 25 december`, `12/25/2030`, `25.12.2030`, `20301225`, `today`, `thursday`, `next thursday`, `next month`, `next year`, and more. Month names can be abbreviated to three letters (`jan`, `feb`, `mar`, ...). Times are also flexible: `8pm`, `8 pm`, `8:00pm`, `8:00 pm`, `20:00`, and `2000` are equivalent. Offsets are a plus or minus sign followed by whitespace and an amount of time: `+ 3 days`, `+ 2 weeks`, `- 1 hour`, and so on.<sup>2</sup>

If you omit part of the date or time, `at` copies the missing information from the system date and time. So `next year` alone means one year from right now, `thursday` alone means the upcoming Thursday at the current clock time, `december 25` alone means the next December 25, and `4:30pm` alone means the very next occurrence of 4:30 p.m. in the future.

The command you supply to `at` is not evaluated by the shell until execution time, so file patterns, variables, and other shell constructs are not expanded until then. Also, your current environment (see `printenv`) is preserved within each job so

---

<sup>2</sup> See the formal syntax in the file `/usr/share/doc/at/timespec`.

it executes as if you were logged in. Aliases, however, aren't available to at jobs, so don't include them.

To list your at jobs, use atq (“at queue”):

```
→ atq
559 2024-09-08 21:30 a smith
```

To delete a job, run atrm (“at remove”) with the job number:

```
→ atrm 559
```

## Useful options

- f *filename* Read commands from the given file instead of standard input.
- c *job\_number* Print a job's commands to standard output.

---

## crontab

`stdin` `stdout` `-file` `--opt` `--help` `--version`

```
crontab [options] [file]
```

The crontab command, like the at command, schedules jobs for specific times. However, crontab is for recurring jobs, such as “Run this command at midnight every Tuesday.” To make this work, you edit and save a file, called your *crontab file*, which automatically gets installed in a system directory (*/var/spool/cron*). Once a minute, a Linux process called cron wakes up, checks all crontab files, and executes any jobs that are due.

```
crontab -e
    Edit your crontab file in your default editor ($VISUAL).
```

```
crontab -l
    Print your crontab file on standard output.
```

```
crontab -r
    With no confirmation, delete your crontab file immediately and permanently.
```

`crontab myfile`

Install the file *myfile* as your crontab file.

The superuser can add the option `-u username` to work with other users' crontab files.

Crontab files contain one job per line. (Blank lines and comment lines beginning with “#” are ignored.) Each line has six fields, separated by whitespace. The first five fields specify the time to run the job, and the last is the job command itself.

#### *Minutes of the hour*

Integers between 0 and 59. This can be a single number (30), a sequence of numbers separated by commas (0,15,30,45), a range (20-30), a sequence of ranges (0-15,50-59), or an asterisk to mean “all.” You can also specify “every *n*th time” with the suffix */n*; for instance, both `*/12` and `0-59/12` mean 0,12,24,36,48 (i.e., every 12 minutes).

#### *Hours of the day*

Same syntax as for minutes.

#### *Days of the month*

Integers between 1 and 31; again, you may use sequences, ranges, sequences of ranges, or an asterisk.

#### *Months of the year*

Integers between 1 and 12; again, you may use sequences, ranges, sequences of ranges, or an asterisk. Additionally, you may use three-letter abbreviations (jan, feb, mar, ...), but not in ranges or sequences.

#### *Days of the week*

Integers between 0 (Sunday) and 6 (Saturday); again, you may use sequences, ranges, sequences of ranges, or an asterisk. Additionally, you may use three-letter abbreviations (sun, mon, tue, ...), but not in ranges or sequences.

### Command to execute

Any shell command. It's executed in your login environment, so you can include environment variables like `$HOME` and they'll work. Use only absolute paths to your commands (e.g., `/usr/bin/who` instead of `who`) to ensure that cron runs the right programs, since a Linux system may have several programs with the same name.

Here are some example time specifications:

*	*	*	*	*	Every minute
45	*	*	*	*	45 minutes after each hour (1:45, 2:45, etc.)
45	9	*	*	*	Every day at 9:45 a.m.
45	9	8	*	*	The eighth day of every month at 9:45 a.m.
45	9	8	12	*	Every December 8 at 9:45 a.m.
45	9	8	dec	*	Every December 8 at 9:45 a.m.
45	9	*	*	6	Every Saturday at 9:45 a.m.
45	9	*	*	sat	Every Saturday at 9:45 a.m.
45	9	*	12	6	Every Saturday in December, at 9:45 a.m.
45	9	8	12	6	Every Saturday in December, plus December 8, all at 9:45 a.m.

Here's a complete crontab entry to run a script every Saturday at 9:45 a.m.:

```
45 9 * * sat /usr/local/bin/myscript
```

If a job prints any output, cron emails a copy to the owner of the crontab file.

---

## TIP

Avoid long, messy shell commands in the *crontab* file. Instead, store them in shell scripts to run from *crontab*.

---

## Logins, Logouts, and Shutdowns

`systemctl` Control the state of your machine and its services.

`shutdown` Shut down your local machine.

`reboot` Reboot your local machine.

Logging in and out from GNOME, KDE, or other graphical desktops is easy. To log out from a remote shell, just close the shell (run `exit` or `logout` or press `^D` on a line by itself). Linux also provides commands for rebooting and shutting down the computer or individual services. Never simply turn off the power to a Linux system: it needs a more graceful shutdown to preserve its filesystem.

---

**systemctl** `stdin` `stdout` `-file` `--opt` `--help` `--version`

`systemctl` [*options*] *command* [*arguments*]

The `systemctl` command controls system services. It's part of a service manager called `systemd`. A full treatment of `systemd` is beyond the scope of this book, but I cover a few basic uses. (See `man systemd` for more details.)

`systemctl` can control the system as a whole:

`sudo systemctl poweroff` Shut down the system.

`sudo systemctl reboot` Reboot the system.

`sudo systemctl suspend` Suspend the system.

It also manages individual services, such as web servers and databases, with the following basic commands (among others):

<code>systemctl</code>	List all services and their statuses.
<code>sudo systemctl enable <i>service_name</i></code>	Make a service runnable, but do not launch it.
<code>sudo systemctl start <i>service_name</i></code>	Launch an enabled service.
<code>sudo systemctl restart <i>service_name</i></code>	Same as stop followed by start.
<code>sudo systemctl reload <i>service_name</i></code>	Force a running service to reread its configuration.
<code>sudo systemctl status <i>service_name</i></code>	Print the service's current status. For more detailed status information, see <code>man journalctl</code> .
<code>sudo systemctl stop <i>service_name</i></code>	Shut down a running service.
<code>sudo systemctl disable <i>service_name</i></code>	Prevent a service from being started.

Service names have the suffix “`.service`”, which you may omit. For example, to restart the MySQL database server, either of the following commands works:

- `sudo systemctl restart mysqld.service` *With suffix*
- `sudo systemctl restart mysqld` *No suffix*

---

## shutdown

`stdin` `stdout` `-file` `--opt` `--help` `--version`

`shutdown` [*options*] *time* [*message*]

The `shutdown` command halts or reboots a Linux machine; only the superuser may run it. (In many Linux distros, the `shutdown` command is a symbolic link to `systemctl`.) Here's a command



to halt the system in 10 minutes, broadcasting the message “scheduled maintenance” to all users logged in:

```
→ sudo shutdown -h +10 "scheduled maintenance"
```

The *time* may be a number of minutes preceded by a plus sign, like +10; an absolute time in hours and minutes, like 16:25; or the word *now* to mean immediately.

With no options, `shutdown` puts the system into single-user mode, a special maintenance mode in which only root is logged in (at the system console), and all nonessential services are off. To exit single-user mode, either perform another shutdown to halt or reboot, or exit the shell with `exit` or `^D` to boot the system in normal, multiuser mode.

## Useful options

- r Reboot the system.
- h Halt the system.
- k Kidding: don't really perform a shutdown, just broadcast warning messages to all users as if the system were going down.
- c Cancel a shutdown in progress (omit the *time* argument).
- f On reboot, skip the usual filesystem check performed by the `fsck` command (described in “Using Disks and Filesystems” on page 213).
- F On reboot, require the usual filesystem check.

For technical information about shutdowns, single-user mode, and various system states, see `man systemd` or `man init`.

---

## reboot

`stdin` `stdout` `-file` `--opt` `--help` `--version`

`reboot` [*options*]

The `reboot` command does exactly what it sounds like. It immediately reboots the computer. You might assume that

reboot requires root privileges, but on some distros, any user can run it.

reboot has options (see the manpage) but I rarely use them. In some Linux distros, the reboot command is just a symbolic link to `systemctl`.

## Users and Their Environment

<code>logname</code>	Print your login name.
<code>whoami</code>	Print your current, effective username.
<code>id</code>	Print the user ID and group membership of a user.
<code>who</code>	List logged-in users, long output.
<code>users</code>	List logged-in users, short output.
<code>tty</code>	Print your terminal device name.
<code>last</code>	Determine when someone last logged in.
<code>printenv</code>	Print your environment.

Who are you? Only the system knows for sure. This grab-bag of programs tells you all about *users*: their names, login times, and properties of their environment.

---

**logname** `stdin` `stdout` `-file` `--opt` `--help` `--version`

`logname`

The `logname` command prints your login name:

```
→ logname  
smith
```

If this command does not work on your system, try instead:

```
→ echo $LOGNAME
```

---

## whoami

stdin stdout -file --opt --help --version

whoami

The `whoami` command prints the name of the current, effective user. This may differ from your login name (the output of `logname`) when using the `sudo` command. This example distinguishes `whoami` from `logname`:

```
→ logname           Login name
smith
→ sudo logname     The value does not change
smith
→ whoami           Effective username
smith
→ sudo whoami     The value changes
root
```

---

## id

stdin stdout -file --opt --help --version

`id [options] [username]`

Every user has a unique, numeric *user ID*, and a default group with a unique, numeric *group ID*. The `id` command prints these values along with their associated user and group names:

```
→ id
uid=500(smith) gid=500(smith) groups=500(smith),6(disk)
```

### Useful options

- u Print the effective user ID and exit.
- g Print the effective group ID and exit.
- G Print the IDs of all groups to which the user belongs.

With any of the preceding options, add `-n` to print user and group names instead of IDs, and add `-r` to print real IDs/names rather than effective ones.

---

## who

`stdin` `stdout` `-file` `--opt` `--help` `--version`

`who` [*options*] [*filename*]

The `who` command lists all logged-in users. Users with multiple interactive shells appear multiple times:

→ `who`

```
smith pts/0 Sep 6 17:09 (:0)
barrett pts/1 Sep 6 17:10 (10.24.19.240)
jones pts/2 Sep 8 20:58 (192.168.13.7)
jones pts/4 Sep 3 05:11 (192.168.13.7)
```

Normally, `who` reads its data from the file `/var/run/utmp`. The *filename* argument selects a different file, such as `/var/log/wtmp` for past logins or `/var/log/btmp` for failed logins.<sup>3</sup>

### Useful options

- H Print a row of headings as the first line.
- lookup For remotely logged-in users, print the hostnames of origin.
- u Also print each user's idle time at their terminal.
- m Display information only about yourself, the user associated with the current terminal.
- q Quick display of usernames only and a count of users. Much like the `users` command, but it adds a count.

---

## users

`stdin` `stdout` `-file` `--opt` `--help` `--version`

`users` [*filename*]

The `users` command prints a quick listing of users who are logged in. Users with multiple interactive shells appear multiple times:

---

<sup>3</sup> If your system is configured to log this information.

→ **users**

```
barrett jones smith smith smith
```

Like the `who` command, `users` reads `/var/log/utmp` by default but can read from another supplied file instead.

---

**tty** `stdin stdout -file --opt --help --version`

```
tty
```

The `tty` command prints the name of the terminal device associated with the current shell:

→ **tty**

```
/dev/pts/4
```

---

**last** `stdin stdout -file --opt --help --version`

```
last [options] [users] [ttys]
```

The `last` command displays a history of logins in reverse chronological order:

→ **last**

```
bob pts/3 localhost Mon Sep 8 21:07 - 21:08 (00:01)
sue pts/6 :0 Mon Sep 8 20:25 - 20:56 (00:31)
bob pts/4 myhost Sun Sep 7 22:19 still logged in
:
```

You may provide usernames or tty names to limit the output.

## Useful options

- N Print only the latest *N* lines of output, where *N* is a positive integer.
- p *time* Print only users who were logged in at the given time. For current logins, run `last -p now`.
- i Display IP addresses instead of hostnames.

- R Don't display hostnames.
- x Also display system shutdowns and changes in system runlevel (e.g., from single-user mode into multiuser mode).
- f *filename* Read from some data file other than */var/run/wtmp*; see the *who* command for more details.

---

**printenv** `stdin stdout -file --opt --help --version`

`printenv [environment_variables]`

The `printenv` command prints all environment variables known to your shell and their values:

```
→ printenv
HOME=/home/smith
MAIL=/var/spool/mail/smith
NAME=Sandy Smith
SHELL=/bin/bash
:
```

or only specified variables:

```
→ printenv HOME SHELL
/home/smith
/bin/bash
```

## User Account Management

- `useradd` Create an account.
- `userdel` Delete an account.
- `usermod` Modify an account.
- `passwd` Change a password.
- `chsh` Change a user's shell.

Linux installation software automatically creates the root account and usually an ordinary user account (presumably for

yourself). You can also create other accounts. Just remember that every account is a potential avenue for an intruder to enter your system, so give them all strong, hard-to-guess passwords.

---

## useradd

`stdin` `stdout` `-file` `--opt` `--help` `--version`

`useradd [options] username`

The `useradd` command lets the superuser create a user account. (Don't confuse it with the similarly named `adduser` command.)

→ **`sudo useradd -m smith`**

Its defaults are not very useful (run `useradd -D` to see them), so be sure to supply all desired options. For example:

→ **`sudo useradd -d /home/smith -s /bin/bash \`  
`-G games,video smith`**

### Useful options

- |                        |  |
|------------------------|--|
| <code>-m</code>        | Create the user's home directory, and copy some standard files into it from your system skeleton directory, <code>/etc/skel</code> . The skeleton directory traditionally contains minimal (skeletal) versions of initialization files, like <code>~/bashrc</code> , to get new users started. If you prefer to copy from a different directory, add the <code>-k</code> option ( <code>-k dirname</code> ). |
| <code>-d dir</code>    | Set the user's home directory to be <code>dir</code> .   |
| <code>-s shell</code>  | Set the user's login shell to be <code>shell</code> .  |
| <code>-u uid</code>    | Set the user's ID to be <code>uid</code> . Unless you know what you're doing, omit this option and accept the default.   |
| <code>-c string</code> | Set the user's comment field (historically called the GECOS field). This is usually the user's full name, but it can be any string.  |

- g *group* Set the user's initial (default) group to *group*, which can either be a numeric group ID or a group name, and which must already exist.
- G *group1,group2,...* Make the user a member of the additional, existing groups *group1*, *group2*, and so on.

---

## userdel

`stdin` `stdout` `-file` `--opt` `--help` `--version`

`userdel [-r] username`

The `userdel` command deletes an existing user.

→ `sudo userdel smith`

It does not delete the user's files (home directory, mailbox, etc.) unless you supply the `-r` option. Think carefully before deleting a user; consider deactivating the account instead (with `usermod -L`). And make sure you have backups of all the user's files before deleting them—you might need them someday.

---

## usermod

`stdin` `stdout` `-file` `--opt` `--help` `--version`

`usermod [options] username`

The `usermod` command modifies the given user's account in various ways, such as changing a home directory:

→ `sudo usermod -d /home/another smith`

### Useful options

- a When adding the user to a group (`-G`), preserve the user's existing group memberships.
- c *string* Set the user's comment field (historically called the GECOS field). This is usually the user's full name, but it can be any string.



-d <i>dir</i>	Change the user's home directory to <i>dir</i> .
-l <i>username</i>	Change the user's login name to <i>username</i> . Think carefully before doing this, in case anything on your system depends on the original name. And don't change system accounts (root, daemon, etc.) unless you really know what you're doing!
-s <i>shell</i>	Change the user's login shell to <i>shell</i> .
-g <i>group</i>	Change the user's initial (default) group to <i>group</i> , which can either be a numeric group ID or a group name, and which must already exist.
-G <i>group1,group2,...</i>	Make the user a member <i>only</i> of the existing groups <i>group1, group2</i> , and so on. <b>WARNING:</b> if the user currently belongs to other groups and you don't list them here, <code>usermod</code> removes the user from the other groups. To prevent this behavior and preserve the user's existing groups, add the <code>-a</code> option.
-L	Disable (lock) the account so the user cannot log in.
-U	Unlock the account after a lock ( <code>-L</code> ) operation.

---

## passwd

`stdin` `stdout` `-file` `--opt` `--help` `--version`

`passwd [options] [username]`

The `passwd` command changes a login password, yours by default:

→ `passwd`

or another user's password if run by the superuser:

→ `sudo passwd smith`

`passwd` does have options, most of them related to password expiration. Use them only in the context of a well thought-out security policy.

---

## chsh

`stdin stdout -file --opt --help --version`

`chsh [options] [username]`

The `chsh` (change shell) command sets your login shell program. Invoked without a username, `chsh` affects your account; invoked with a username (by root), it affects that user. With no options, `chsh` prompts you for the desired information:

```
→ chsh
Password: xxxxxxxx
New shell [/bin/bash]: /bin/tcsh
```

The new shell must be listed in the file `/etc/shells`.

### Useful options

- s *shell* Specify the new shell.
- l List all permissible shells installed on your system.

## Group Management

- `groups` Print the group membership of a user.
- `groupadd` Create a group.
- `newgrp` Use a new group membership immediately.
- `groupdel` Delete a group.
- `groupmod` Modify a group.

A *group* is a set of accounts treated as a single entity. If you give permission for a group to take some action (such as modify a file), then all members of that group can take it. For example, give full permissions for the group “friends” to read, write, and execute the file `/tmp/sample`:

```
→ groups
users smith friends
→ chgrp friends /tmp/sample
→ chmod 770 /tmp/sample
```

```
→ ls -l /tmp/sample
-rwxrwx--- 1 smith friends 2874 ... /tmp/sample
```

To add users to a group, run `usermod -aG` or edit `/etc/group` as root. To change the group ownership of a file, recall the `chgrp` command from “[Properties of Files](#)” on page 83.

---

## groups

`stdin` `stdout` `-file` `--opt` `--help` `--version`

`groups` [*usernames*]

The `groups` command prints the Linux groups to which you belong, or to which other users belong:

```
→ whoami
smith
→ groups
smith users
→ groups jones root
jones : jones users
root : root bin daemon sys adm disk wheel src
```

---

## groupadd

`stdin` `stdout` `-file` `--opt` `--help` `--version`

`groupadd` [*options*] *group*

The `groupadd` command creates a group. (Don’t confuse it with the similarly named `addgroup` command.) In most cases, add the `-f` option to prevent duplicate groups from being created:

```
→ sudo groupadd -f friends
```

### Useful options

- `-g` *gid* Specify a numeric group ID, *gid*. Normally, `groupadd` chooses it.
- `-f` If the named group exists already, complain and exit.

---

## newgrp

stdin stdout -file --opt --help --version

newgrp [-] [*group*]

When you're added to a new group (e.g., with `usermod -aG`), normally the change isn't effective until your next login. The `newgrp` command avoids this hassle. Run `newgrp` with the new group name as an argument, and it launches a fresh shell with your current group ID set to that group. In this way, you can immediately use newly granted group privileges. The effect lasts only while the new shell runs, but it beats logging out and back in. Exit the shell to restore your default group ID.

For example, suppose you've just been added to the group `video`. If you haven't logged out yet, you won't see `video` among your groups.

→ **groups** *View your active groups*  
smith sudo docker

Run `newgrp` to set your group ID to `video`:

→ **newgrp video** *Launch a shell with group ID = video*  
→ **groups** *Now "video" is your default group*  
video sudo docker smith  
→ **exit** *Set group ID back to default*

The only option, a single dash, causes `newgrp` to set up your environment as if you'd just logged in, like `su -l` does.

---

## groupdel

stdin stdout -file --opt --help --version

groupdel *group*

The `groupdel` command deletes an existing group:

→ **sudo groupdel friends**

Before removing a group, identify all files owned by that group so you can clean them up later:

```
→ sudo find / -group friends -print > /tmp/friend.files
```

because `groupdel` does not change the group ownership of any files. It simply removes the group name from `/etc/group`. Any files owned by the deleted group will retain the now-obsolete group ID.

---

## groupmod stdin stdout -file --opt --help --version

```
groupmod [options] group
```

The `groupmod` command modifies the given group, changing its name or group ID:

```
→ sudo groupmod -n newname friends
```

`groupmod` does not affect any files owned by this group: it simply changes the ID or name in the system's records.

### Useful options

- n *name* Change the group's name to *name* (safe).
- g *gid* Change the group's ID to *gid* (risky). Any files with the original group ID will now have invalid group ownership and need cleanup.

## Installing Software Packages

- |                       |   |
|-----------------------|---|
| <code>dnf</code>      | Standard package manager for RPM files (CentOS, Fedora, Red Hat, Rocky, etc.).  |
| <code>yum</code>      | Older package manager for RPM files.  |
| <code>rpm</code>      | Manipulate RPM packages locally.  |
| <code>apt</code>      | Standard package manager for DEB files (Debian, Deepin, elementary OS, Kodachi, Linux Lite, MX, Mint, NitruX, POP!_OS, Rescatux, Ubuntu, Zorin OS, etc.). |
| <code>aptitude</code> | Alternative package manager for DEB files.  |
| <code>dpkg</code>     | Manipulate DEB packages locally.  |

emerge	Portage package manager for Gentoo Linux.
pacman	Package manager for Arch Linux (plus Garuda, EndeavourOS, Manjaro, etc.).
zypper	Package manager for openSUSE Linux.
flatpak	Container-based package manager.
snap	Container-based package manager.

Your Linux distro comes with a *package manager* application to install software packages via the command line, GUI tools, or both. Confusingly, every package manager has unique commands and may use a different file format for packages. So, one of your first tasks as a Linux user is to learn which package manager is standard for your distro. If you aren't sure which Linux distro you're running, one of the following commands should give you a clue:

```
→ cat /etc/issue
Ubuntu 22.04.2 LTS \n \l           Running Ubuntu Linux
→ more /etc/*-release
DISTRIB_ID=Ubuntu
DISTRIB_RELEASE=22.04
DISTRIB_CODENAME=jammy
:
```

Then search for your distro's package manager on the web, or just run each package management command in my list to see which ones are installed. The most common package types and managers are:

#### *Debian, dpkg, or .deb packages*

Used by Debian, Ubuntu, and other distros. I cover the package management commands `apt`, `aptitude`, and `dpkg`.

#### *RPM packages*

Used by Red Hat, Fedora, CentOS, and other distros. I cover `dnf`, `yum`, `rpm`, and `zypper`.

These package types and others (some of which I cover) install software into system directories like `/usr/bin`. Another kind

of package manager takes a different approach and runs its software in a restricted mini-environment called a container. Examples are Snap and Flatpak.

---

**dnf** `stdin` `stdout` `-file` `--opt` `--help` `--version`

`dnf [options] [packages]`

`dnf` is the latest package manager for RPM packages (*.rpm* files). The following table lists common operations:

Action	dnf command
Search for a package that meets your needs (supports wildcards * and ?).	<code>dnf search string</code>
Check if a package is installed.	<code>dnf list installed package</code>
Download but don't install a package.	<code>dnf download package</code>
Download and install a package.	<code>sudo dnf install package</code>
Install a package file.	<code>sudo dnf install file.rpm</code>
Learn about a package.	<code>dnf info package</code>
List the contents of a package.	<code>rpm -ql package</code>
Discover which package an installed file belongs to.	<code>dnf provides /path/to/file</code>
Update an installed package.	<code>sudo dnf upgrade package</code>
Remove an installed package.	<code>sudo dnf remove package</code>
List all packages installed on the system (tip: pipe through <code>less</code> ).	<code>dnf list installed</code>
Check for updates for all installed packages.	<code>dnf check-update</code>
Update all packages on the system.	<code>sudo dnf upgrade</code>
Update the distro to the next version.	<code>sudo dnf system-upgrade</code>

---

---

## yum

`stdin stdout -file --opt --help --version`

`yum [options] [packages]`

`yum` is an older package manager for RPM packages (*.rpm* files), which has been largely replaced by `dnf`. The following table lists common operations with `yum`. For operations on local files, which `yum` does not provide, use the `rpm` command directly.

Action	yum command
Search for a package that meets your needs (supports wildcards * and ?).	<code>yum search string</code>
Check if a package is installed.	<code>yum list installed package</code>
Download a package but don't install it. <sup>a</sup>	<code>sudo yum --downloadonly install package</code>
Download and install a package.	<code>sudo yum install package</code>
Install a package file.	<code>rpm -ivh file.rpm</code>
Learn about a package.	<code>yum info package</code>
List the contents of a package.	<code>rpm -ql package</code>
Discover which package an installed file belongs to.	<code>yum provides /path/to/file</code>
Update an installed package.	<code>sudo yum update package</code>
Remove an installed package.	<code>sudo yum remove package</code>
List all packages installed on the system (tip: pipe through <code>less</code> ).	<code>yum list installed</code>
Check for updates for all installed packages.	<code>yum check-update</code>
Update all packages on the system.	<code>sudo yum update</code>

---

<sup>a</sup> May require the `downloadonly` plug-in. To install it, run `sudo yum install yum-downloadonly`



---

## **rpm**

`stdin stdout -file --opt --help --version`

`rpm [options] [files]`

If you prefer to download and install RPM packages by hand, use the `rpm` command. Unlike `dnf` or `yum`, `rpm` works locally on your computer: it does not search software archives on the internet for new packages.

RPM filenames typically take the following form `<name>-<version>.<architecture>.rpm`. For example, the filename `emacs-29.1-2.x86_64.rpm` indicates the `emacs` package, version 29.1-2, for 64-bit x86 processors. Be aware that `rpm` sometimes requires a filename argument (like `emacs-29.1-2.x86_64.rpm`) and other times just the package name (like `emacs`). The following table lists common operations:

Action	rpm command
Check if a package is installed.	<code>rpm -q package</code>
Install a package file.	<code>sudo rpm -ivh file.rpm</code>
Learn about a package.	<code>rpm -qi package</code>
List the contents of a package.	<code>rpm -ql package</code>
Discover which package an installed file belongs to.	<code>rpm -qf /path/to/file</code>
Update an installed package.	<code>sudo rpm -Uvh package_file.rpm</code>
Remove an installed package.	<code>sudo rpm -e package</code>
List all packages installed on the system (tip: pipe through <code>less</code> ).	<code>rpm -qa</code>

---

---

## APT

`stdin` `stdout` `-file` `--opt` `--help` `--version`

`apt subcommand [options] packages`

`dpkg [options] packages`

The APT (Advanced Packaging Tool) suite of commands can install, remove, and manipulate Debian Linux (*.deb*) packages. The following table lists common operations:

Action	APT command
Retrieve the latest information about available packages before running other commands.	<code>sudo apt update</code>
Search for a package that meets your needs.	<code>apt search string</code>
Check if a package is installed.	<code>apt policy package</code>
Download but don't install a package.	<code>sudo apt install -d package</code>
Download and install a package.	<code>sudo apt install package</code>
Install a package file.	<code>sudo apt install file.deb</code>
Learn about a package.	<code>apt show package</code>
List the contents of a package.	<code>dpkg -L package</code>
Discover which package an installed file belongs to.	<code>dpkg -S /path/to/file</code>
Update an installed package.	<code>sudo apt upgrade package</code>
Remove an installed package.	<code>sudo apt remove package</code>
Remove an installed package and associated files.	<code>sudo apt purge package</code>
List all packages installed on the system (tip: pipe through <code>less</code> ).	<code>apt list --installed</code>
Check for updates for all installed packages (run <code>sudo apt update</code> first).	<code>sudo apt list --upgradable</code>

Action	APT command
Update all packages on the system.	<code>sudo apt upgrade</code>
Update the distro to the next version.	<code>sudo apt dist-upgrade</code>

## aptitude

`stdin stdout -file --opt --help --version`

`aptitude [options] [packages]`

`aptitude` is another package manager for the command line that manipulates Debian (*.deb*) packages. When run with no arguments, it provides a full-terminal interactive interface to the APT system:

→ **`sudo aptitude`**

`aptitude` can also run some, but not all, APT operations from the command line. The following table lists common operations, including a few that `aptitude` does not support and the appropriate `apt` or `dpkg` commands to run instead.

Action	aptitude command
Retrieve the latest information about available packages before running other commands.	<code>sudo aptitude update</code>
Search for a package that meets your needs.	<code>aptitude search <i>string</i></code>
Check if a package is installed (see “State” in the output).	<code>aptitude show <i>package</i></code>
Download but don’t install a package.	<code>aptitude download <i>package</i></code>
Download and install a package.	<code>sudo aptitude install <i>package</i></code>

Action	aptitude command
Install a package file.	<code>sudo apt install <i>file.deb</i></code>
Learn about a package.	<code>aptitude show <i>package</i></code>
List the contents of a package.	<code>dpkg -L <i>package</i></code>
Discover which package an installed file belongs to.	<code>dpkg -S <i>/path/to/file</i></code>
Update an installed package.	<code>sudo aptitude safe-upgrade <i>package</i></code>
Remove an installed package.	<code>sudo aptitude remove <i>package</i></code>
List all packages installed on the system (tip: pipe through <code>less</code> ).	<code>aptitude search ~i</code>
Check for updates for all installed packages.	<code>aptitude --simulate full-upgrade</code>
Update all packages on the system.	<code>sudo aptitude full-upgrade</code>

## emerge

`stdin stdout -file --opt --help --version`

`emerge [options] [arguments]`

`emaint [options] subcommand`

`equery [options] subcommand [arguments]`

The `emerge` command controls the package manager in Gentoo Linux, called Portage. Before working with Portage packages for the first time, run the following command:

→ **sudo emerge gentoolkit** *Install additional Portage commands*

Action	emerge command
Retrieve the latest information about available packages before running other commands.	<code>sudo emaint -a sync</code>
Search for a package that meets your needs, by name.	<code>emerge -s string</code>
Search for a package that meets your needs, by description.	<code>emerge -S string</code>
Check if a package is installed.	<code>equery list "*"   grep package</code>
Download but don't install a package.	<code>sudo emerge -f package</code>
Download and install a package.	<code>sudo emerge package</code>
Learn about a package.	<code>sudo equery meta [--description] package</code>
List the contents of a package.	<code>equery files package</code>
Discover which package an installed file belongs to.	<code>equery belongs /path/to/file</code>
Update an installed package.	<code>sudo emerge -u package</code>
Remove an installed package.	<code>sudo emerge -cav package</code>
List all packages installed on the system (tip: pipe through <code>less</code> ).	<code>equery list "*"   less</code>
Check for updates for all installed packages.	<code>emerge -puD world</code>
Update all packages on the system.	<code>sudo emerge -uD world</code>

If emerge won't remove a package because of dependencies, try including the dependencies on the command line:

```
→ sudo emerge -cav my/package fails
Calculating dependencies... done!
my/package-29.3 pulled in by:
  other/pack-16.1 requires ... dependency!
>>> No packages selected for removal by depclean
→ sudo emerge -cav my/package other/pack succeeds
Would you like to unmerge these packages? [Yes/No] Yes
```

---

## pacman

`stdin` `stdout` `-file` `--opt` `--help` `--version`

`pacman subcommand [options] [arguments]`

The `pacman` command is a package manager for Arch Linux. Arch packages are typically tar files compressed with the command `zstd`. The following table lists common operations:

Action	pacman command
Retrieve the latest information about available packages before running other commands.	<code>sudo pacman -Sy</code>
Search for a package that meets your needs (by regular expression).	<code>pacman -Ss string</code>
Check if a package is installed.	<code>pacman -Q package</code>
Download but don't install a package.	<code>sudo pacman -Sw package</code>
Download and install a package.	<code>sudo pacman -S package</code>
Install a package file.	<code>sudo pacman -U file.pkg.tar.zst</code>
Learn about a package.	<code>pacman -Qi package</code>
List the contents of a package.	<code>pacman -Ql package</code>

Action	pacman command
Discover which package an installed file belongs to.	<code>pacman -Qo /path/to/file</code>
Update an installed package.	<code>sudo pacman -S package</code>
Remove an installed package.	<code>sudo pacman -R package</code>
List all packages installed on the system (tip: pipe through <code>less</code> ).	<code>pacman -Qe</code>
Check for updates for all installed packages.	<code>sudo pacman -Syup</code>
Update all packages on the system.	<code>sudo pacman -Syu</code>

## zypper

`stdin` `stdout` `-file` `--opt` `--help` `--version`

`zypper [options] subcommand [subcommand_opts] [arguments]`

The `zypper` command is a package manager for openSUSE Linux. It uses RPM packages under the hood. The following table lists common operations:

Action	zypper command
Retrieve the latest information about available packages before running other commands.	<code>sudo zypper refresh</code>
Search for a package that meets your needs.	<code>zypper search string</code>
Check if a package is installed.	<code>zypper search -i package</code>
Download but don't install a package.	<code>sudo zypper install -d package</code>
Download and install a package.	<code>sudo zypper install package</code>
Install a package file.	<code>sudo rpm -ivh file.rpm</code>

Action	zypper command
Learn about a package.	<code>zypper info package</code>
List the contents of a package.	<code>rpm -ql package</code>
Discover which package an installed file belongs to.	<code>rpm -qf /path/to/file</code>
Update an installed package.	<code>sudo zypper update package</code>
Remove an installed package.	<code>sudo zypper remove package</code>
List all packages installed on the system (tip: pipe through <code>less</code> ).	<code>zypper search -i</code>
Check for updates for all installed packages.	<code>sudo zypper update --dry-run</code>
Update all packages on the system.	<code>sudo zypper update</code>
Update the distro to the next version.	<code>sudo zypper dist-upgrade</code>

## flatpak

`stdin stdout -file --opt --help --version`

`flatpak subcommand [options] [arguments]`

Flatpak is a system for installing software packages, called “Flatpaks,” that run in a restricted environment, called a container or sandbox. A container includes all the package’s dependencies. Use the `flatpak` command to install, update, and remove packages. You may need to add a remote repository first:

```
→ sudo flatpak remote-add --if-not-exists flathub \
  https://flathub.org/repo/flathub.flatpakrepo
```

Flatpaks have limited access to the host filesystem, but for the most part, they operate like ordinary applications...except when you run them at the command line. Flatpaks must be run with the `flatpak` command. So if you’ve installed GNU Emacs,



for example, find out its Flatpak ID, which is a three-part string containing dots, such as `org.gnu.emacs`. Then run the program by its ID:

```
→ flatpak list | grep emacs
ID                ...
org.gnu.emacs    ...
```

*The flatpak ID*

```
→ flatpak run org.gnu.emacs
```

If typing the ID is annoying, define an alias:

```
alias emacs='flatpak run org.gnu.emacs'
```

The following table lists common operations for working with Flatpaks system-wide, which often requires superuser privileges. To install Flatpaks just for yourself, run `flatpak --user` instead of `sudo flatpak`.

Action	Flatpak command
Add a remote repository for downloading Flatpaks.	<code>sudo flatpak remote-add --if-not-exists <i>name url</i></code>
List the remotes installed on your system.	<code>flatpak remotes</code>
Search for a package that meets your needs.	<code>flatpak search <i>string</i></code>
Check if a package is installed.	<code>flatpak list   grep <i>package</i></code>
Download and install a package.	<code>sudo flatpak install <i>package</i></code>
Install a package file.	<code>sudo flatpak install /<i>path/to/file</i></code>
Run a package.	<code>flatpak run <i>package_id</i></code>
Learn about a package.	<code>flatpak info <i>package_id</i></code>
Update an installed package.	<code>sudo flatpak update <i>package_id</i></code>
Remove an installed package.	<code>sudo flatpak uninstall <i>package_id</i></code>

Action	Flatpak command
List all packages installed on the system (tip: pipe through <code>less</code> ).	<code>flatpak list</code>
Update all packages on the system.	<code>sudo flatpak update</code>

## snap

`stdin` `stdout` `-file` `--opt` `--help` `--version`

`snap [options] subcommand [subcommand_options]`

Snap is a system for installing software packages, called “snaps,” that run in a restricted environment, called a container or sandbox. A container includes all the package’s dependencies. Snaps have limited access to the host filesystem, but for the most part, they operate like ordinary applications. Use the `snap` command to install, update, and remove packages. The following table lists common operations:

Action	snap command
Search for a package that meets your needs.	<code>snap find string</code>
Check if a package is installed.	<code>snap list   grep package</code>
Download but don’t install a package.	<code>sudo snap download package</code>
Download and install a package.	<code>sudo snap install package</code>
Learn about a package.	<code>snap info package</code>
List the contents of a package.	<code>ls /snap/package/current</code>
Update an installed package.	<code>sudo snap refresh package</code>
Remove an installed package.	<code>sudo snap remove package</code>
List all packages installed on the system (tip: pipe through <code>less</code> ).	<code>snap list</code>

Action	snap command
Check for updates for all installed packages.	<code>snap refresh --list</code>
Update all packages on the system.	<code>sudo snap refresh</code>

---

## Installing Software from Source Code

`configure` Prepare to build software manually with `make`.

`make` Build software from source code.

Package managers, described in “[Installing Software Packages](#)” on page 195, generally require superuser privileges to install software. As an ordinary user, you can also install software within your home directory. The process requires more steps and more understanding than using a package manager.

## Downloading the Source Code

Plenty of Linux software is distributed as source code to be downloaded and built on your local system. The two most common forms of distribution are:

- Compressed TAR or ZIP files found on websites
- Git repositories, cloned from servers like GitHub

I briefly explain each and then show how to build the source code with the commands `configure` and `make`.

### Method 1: Download and unpack a TAR or ZIP file

A compressed TAR file, or “tarball,” is just a collection of files packed up by `tar`. The file is usually compressed with `gzip` and has the filename extension `.tar.gz` or `.tgz`, or `bzip2` with the extension `.tar.bz2` or `.tbz`. Similarly, a `.zip` file is a collection of files packed by `zip`. To unpack files:

1. List the package contents. Assure yourself that each file, when extracted, won't overwrite something precious on your system, either accidentally or maliciously:<sup>4</sup>
  - `tar -tvf package.tar.gz | less` *gzip*
  - `tar -tvf package.tar.bz2 | less` *bzip2*
  - `unzip -l package.zip | less` *zip*
2. If satisfied, extract the files into a new directory:
  - `mkdir newdir`
  - `tar -xvf package.tar.gz -C newdir` *gzip*
  - `tar -xvf package.tar.bz2 -C newdir` *bzip2*
  - `unzip -d newdir package.zip | less` *zip*

If this worked, continue to “Building and Installing the Code” on page 210.

## Method 2: Clone a Git repository

To obtain software from GitHub or a similar repository, copy the URL of the desired repository and pass it to the `git clone` command, which should look something like this:

```
→ git clone git@github.com:username/repository.git
```

`git clone` downloads a copy of the repository to your local system. Now you're ready to build the software.

## Building and Installing the Code

Once you've downloaded and/or extracted the source code, build the software. Briefly, the usual sequence of commands is:

```
→ ./configure PREFIX=any_writable_directory
→ make
→ make install
```

---

<sup>4</sup> A malicious archive could include an absolute file path like `/etc/passwd` which, if extracted, could overwrite your system password file. Nasty.

In more detail, the sequence is as follows:

1. In the source code directory, read the extracted file named *INSTALL* or *README*. For example:

→ **less INSTALL**

2. Usually, you're instructed to run a provided script called *configure*, then run *make*, then run *make install*. To view the options for the *configure* script, run this command (the output is usually long):

→ **./configure --help | less**

The most important option for our purposes is *--prefix*, which sets the installation directory. For example, to install the software in your home directory, in a subdirectory named *packages*, you'd run:

→ **./configure --prefix=\$HOME/packages**

If you omit the *--prefix* option, then *configure* arranges to install the software system-wide, and you'll need super-user privileges later to complete the installation.

→ **./configure**

If *configure* fails, it usually means your local system is missing some prerequisite software. Read the output of *configure* carefully, install what is missing, and try again.

3. Once *configure* succeeds, build (compile) the software by running *make*. It performs all necessary steps to prepare the software for installation, without installing it.

→ **make**

If *make* fails, read the error output carefully, search the web for solutions, and if appropriate, file a bug with the maintainers of the software you're building.

4. If *make* completed successfully, and you ran *configure* with the *--prefix* option, complete the installation:

→ **make install**

Or, if you omitted `--prefix` to install the software system-wide, use `sudo`:

→ **`sudo make install`**

If you originally ran `configure` with the `--prefix` option, the installed software will be in the directory you specified, usually in a subdirectory named *bin*. Optionally, add this *bin* directory to your search path (see “[Search Path](#)” on page 41). If you installed the software in `$HOME/packages` as in my example, append its *bin* subdirectory to your `PATH` with this command:

→ **`PATH=$PATH:$HOME/packages/bin`**

Add this line to your shell configuration file (see “[Tailoring Shell Behavior](#)” on page 58) to make the new software available to your future shells.

---

# Filesystem Maintenance

## Using Disks and Filesystems

- `df`        Display available space on mounted filesystems.
- `lsblk`    List disks and other block devices.
- `mount`    Make a disk partition accessible.
- `umount`   Unmount a disk partition (make it inaccessible).
- `fsck`     Check a disk partition for errors.

Linux systems can have multiple disks or partitions. In casual conversation, these are variously called devices, filesystems, volumes, even directories. I'll try to be more precise.

A *disk* is a mass storage device, which may be divided into *partitions* that act as independent devices. Disks and partitions are represented on Linux systems as special files in the directory */dev*. For example, */dev/sda7* could be a partition on your hard drive. Some common devices in */dev* are:

- sda*        First block device, such as SCSI, SATA, or USB hard drives; partitions are *sda1*, *sda2*, ...
- sdb*        Second block device; partitions are *sdb1*, *sdb2*, ... Likewise for *sdc*, *sdd*, etc.





→ **df**

Filesystem	1k-blocks	Used	Avail	Use%	Mounted on
/dev/sda	1011928	225464	735060	24%	/
/dev/sda9	521748	249148	246096	51%	/var
/dev/sda8	8064272	4088636	3565984	54%	/usr
/dev/sda10	8064272	4586576	3068044	60%	/home

The `df` command may list all sorts of devices besides disks. To limit the display to disks, try these options (and create an alias if it's helpful):

→ **df -h -x tmpfs -x devtmpfs -x squashfs**

## Useful options

- k List sizes in KB (the default).
- m List sizes in MB.
- B *N* Display sizes in blocks of *N* bytes. (Default = 1024)
- h Print human-readable output and choose the most appropriate unit for each size. For example, if your two disks have 1 gigabyte and 25 KB free, respectively, `df -h` prints 1G and 25K. The `-h` option uses powers of 1024, whereas `-H` uses powers of 1000.
- l Display only local filesystems, not networked filesystems.
- T Include the filesystem type (`ext3`, `vfat`, etc.) in the output.
- t *type* Display only filesystems of the given type.
- x *type* Don't display filesystems of the given type.
- i Inode mode. Display total, used, and free inodes for each filesystem, instead of disk blocks. When all inodes on a filesystem are used, the filesystem is "full" even if free disk space remains.

---

## lsblk

stdin stdout -file --opt --help --version

lsblk [*options*] [*devices*]

The `lsblk` command lists the mass storage devices, known as block devices, available on a Linux system, such as hard disks, SSDs, and RAM disks.

→ **lsblk**

NAME	MAJ:MIN	RM	SIZE	RO	TYPE	MOUNTPOINTS
sda	8:0	0	20G	0	disk	
└sda1	8:1	0	1M	0	part	
└sda2	8:2	0	513M	0	part	/boot/efi
└sda3	8:3	0	19.5G	0	part	/
sdb	8:80	0	7.6G	0	disk	
└sdb1	8:81	1	7.6G	0	part	/mnt/usb-key

The output shows a hard drive at `/dev/sda` with three partitions, and a USB thumb drive at `/dev/sdb` with a single partition. `lsblk` has a ton of formatting options and can limit itself to particular devices.

→ **lsblk -o NAME,SIZE /dev/sda**

NAME	SIZE
sda	20G
└sda1	1M
└sda2	513M
└sda3	19.5G

### Useful options

- l Display a simple list instead of a tree.
- a Show all block devices, including those normally hidden.
- f Add information about the filesystems on each device.
- o *columns* Print only the given columns, which you provide as a comma-separated list. View the available columns with `lsblk --help`.
- J Print the list in JSON format for easy processing by programs.

---

## mount

stdin stdout -file --opt --help --version

mount [*options*] [*device* | *directory*]

The `mount` command makes a partition accessible. Most commonly it handles disk drives (say, `/dev/sda1`) and removable media (e.g., USB keys), making them accessible via an existing directory (say, `/mnt/mydir`):

```
→ sudo mkdir /mnt/mydir
→ ls /mnt/mydir                               Notice it's empty
→ sudo mount /dev/sda1 /mnt/mydir
→ ls /mnt/mydir
file1 file2 file3                             Files on the mounted partition
→ df /mnt/mydir
Filesystem 1K-blocks  Used Avail Use% Mounted on
/dev/sda1   1011928 285744 674780 30% /mnt/mydir
```

`mount` has many uses; I discuss only the most basic. In most common cases, `mount` reads the file `/etc/fstab` (filesystem table, pronounced “F S tab”) to learn how to mount a desired disk. For example, if you run `mount /usr`, the `mount` command looks up “/usr” in `/etc/fstab`, whose line might look like this:

```
/dev/sda8 /usr ext4 defaults 1 2
```

Here `mount` learns that device `/dev/sda8` should be mounted on `/usr` as a Linux `ext4`-formatted filesystem with default options. Mount it with either of these commands:

```
→ sudo mount /dev/sda8    By device
→ sudo mount /usr         By directory
```

`mount` is run typically by the superuser, but common removable devices like USB keys and DVDs often can be mounted and unmounted by any user.

### Useful options

- t *type* Specify the type of filesystem, such as `ext4` or `ntfs`.
- l List all mounted filesystems; works with `-t` too.

- a Mount all filesystems listed in */etc/fstab*. Ignores entries that include the *noauto* option. Works well with *-t* too.
- r Mount the filesystem read-only (see the manpage for disclaimers).

---

## umount stdin stdout -file --opt --help --version

`umount [options] [device | directory]`

`umount` does the opposite of `mount`: it makes a disk partition unavailable via the filesystem.<sup>2</sup> For instance, if you've mounted a USB thumb drive, `umount` it before you unplug it:

→ **umount "/media/smith/My Vacation Photos"**

Always unmount any removable medium before ejecting it, particularly if it's writable, or you risk damage to its filesystem. To unmount all mounted devices:

→ **sudo umount -a**

Don't unmount a filesystem that's in use; in fact, the `umount` command refuses to do so for safety reasons.

---

## fsck stdin stdout -file --opt --help --version

`fsck [options] [devices]`

The `fsck` (filesystem check) command validates a Linux disk filesystem and, if requested, repairs errors found on it. `fsck` runs automatically when your system boots, or manually. In general, unmount a device before checking it, so no other programs are operating on it at the same time:

---

<sup>2</sup> Notice the spelling is "umount," not "unmount."

```
→ sudo umount /dev/sda10
```

```
→ sudo fsck -f /dev/sda10
```

Pass 1: Checking inodes, blocks, and sizes

Pass 2: Checking directory structure

Pass 3: Checking directory connectivity

Pass 4: Checking reference counts

Pass 5: Checking group summary information

/home: 172/1281696 files (11.6% non-contiguous), ...

You cannot use `fsck` to fix your root filesystem while your system is running normally. Boot first on a Linux USB thumb drive or other rescue media, then run `fsck`.

`fsck` is a frontend for a set of filesystem-checking commands found in `/sbin`, with names beginning “`fsck`”. Only certain types of filesystems are supported; list them with the command:

```
→ ls /sbin/fsck.* | cut -d. -f2 | column
```

<code>cramfs</code>	<code>ext3</code>	<code>fat</code>	<code>hfsplus</code>	<code>msdos</code>
<code>ext2</code>	<code>ext4</code>	<code>hfs</code>	<code>minix</code>	<code>vfat</code>

## Useful options

- A Check all disks listed in `/etc/fstab`, in order.
- f Force `fsck` to run even if no errors are apparent.
- N Print a description of the checking that would be done, but exit without performing any checking.
- r Fix errors interactively, prompting before each fix.
- a Fix errors automatically (use only if you *really* know what you’re doing; if not, you can seriously mess up a filesystem).

## Creating and Modifying Filesystems

`mkfs`            Format (create a filesystem on) a disk partition.

`resize2fs`     Grow or shrink a disk partition.

`e2label`        Change the volume label on a disk partition.

Disk-related operations like partitioning and formatting can be complex at the command line. In general, for anything more complicated than formatting a single partition, I recommend using a graphical application such as `gparted`. Honestly, it's easier and less error-prone.

Nevertheless, I still run a few operations at the command line that are quick and easy. One is listing the partitions of a storage device like `/dev/sda` with `fdisk`:

```
→ sudo fdisk -l /dev/sda
Disk /dev/sda: 20 GiB, 21474836480 bytes, ...
:
Device      Start      End  Sectors  Size Type
/dev/sda1   2048      4095    2048    1M BIOS boot
/dev/sda2   4096  1054719  1050624  513M EFI System
/dev/sda3  1054720  41940991 40886272 19.5G Linux
```

or similarly with `parted`:

```
→ sudo parted /dev/sda -- print
```

Another is exporting the partition table of a storage device for safekeeping. (Store it on a USB thumb drive or other device, not the disk you're working on!)

```
→ sudo sfdisk -d /dev/sda > /mnt/thumb/sda.txt
```

Later, if you mess up a risky partitioning operation, you can restore the partition table (but *be careful* to specify the correct disk device or you'll overwrite the wrong partition table):

```
→ sudo sfdisk /dev/device < /mnt/thumb/sda.txt
```

The commands that follow are also relatively basic operations on disks and filesystems without graphical tools.

---

## mkfs

`stdin` `stdout` `-file` `--opt` `--help` `--version`

`mke2fs` [*options*] *device*

`mkfs.ext3` [*options*] *device*

`mkfs.ext4` [*options*] *device*

`mkntfs` [*options*] *device*

`mkfs.ntfs` [*options*] *device* ...and many other variations...

The `mkfs` family of commands formats a Linux storage device for a variety of filesystems. The storage device is usually a partition, such as `/dev/sdb1`.

---

### WARNING

`mkfs` erases a storage device. Make sure the device name you provide is the correct one!

---

Examples:

- `sudo mkfs.ext4 /dev/device`      *Standard Linux filesystem*
- `sudo mke2fs /dev/device`      *Standard Linux filesystem*
- `sudo mkfs.ntfs /dev/device`      *Microsoft Windows filesystem*
- `sudo mkntfs /dev/device`      *Microsoft Windows filesystem*

As you can see, most of the command names are “`mkfs`” followed by a dot and a filesystem type, like `mkfs.ext4`. They may also have alternate names (links) with the filesystem type embedded in the middle of “`mkfs`”, such as `mke2fs` for an “`ext`” filesystem. To list all such commands installed on your system, run:

```
→ ls /usr/*bin/mkfs.*
/usr/sbin/mkfs.ext2    /usr/sbin/mkfs.hfs
/usr/sbin/mkfs.ext3    /usr/sbin/mkfs.minix
/usr/sbin/mkfs.ext4    /usr/sbin/mkfs.msdos
/usr/sbin/mkfs.fat      /usr/sbin/mkfs.ntfs
```

## Useful options

- n Dry-run mode: don't format anything. Just display what *would* be done.
- L *name* Label the formatted volume with the given *name*, which can be up to 16 bytes long.
- b *N* Set the block size to *N* bytes.

---

## resize2fs

`stdin` `stdout` `-file` `--opt` `--help` `--version`

`resize2fs` [*options*] *device* [*size*]

The `resize2fs` command grows or shrinks a standard Linux filesystem of type ext2, ext3, or ext4. To enlarge a filesystem:

1. Confirm that the device has enough free space immediately following the current partition.
2. Unmount the filesystem.
3. Enlarge its disk partition with `gparted` or similar program. (This requires free space just after the current partition.)
4. Check the filesystem with `fsck`.
5. Run `resize2fs` with appropriate arguments. In modern kernels, the filesystem may be mounted during resizing.

To shrink a filesystem:

1. Confirm with `df` that the data in the filesystem (the “Used” column) will fit within the proposed new size.
2. Unmount the filesystem.
3. Run `resize2fs` with appropriate arguments.



4. Shrink its disk partition with `gparted` or a similar program.
5. Check the filesystem with `fsck`.

To resize a filesystem on `/dev/sda1`, assuming you've already completed any checking and partitioning, run `resize2fs` either with or without a size:

- `sudo resize2fs /dev/sda1 100G`     *Resize to 100 GB*
- `sudo resize2fs /dev/sda1`         *Resize to the partition size*

Sizes can be an absolute number of blocks, like 12345690, or a size followed by `K` (KB), `M` (MB), `G` (GB), `T` (terabytes), or `s` (512-byte sectors). The values are powers of two, so 1K means 1024, not 1000, and so on.

If you resize filesystems often, make your life easier with logical volume management (LVM), as explained in “[Logical Volumes for Flexible Storage](#)” on page 229, or a more modern filesystem, as in “[ZFS: A Modern, Do-It-All Filesystem](#)” on page 235.

## Useful options

- f Force the resizing operation, even if `resize2fs` complains.
- p Display the progress of the operation as it runs.

---

## e2label

`stdin` `stdout` `-file` `--opt` `--help` `--version`

`e2label device [label]`

A label is a nickname for a filesystem. The `e2label` command sets or prints the label of a standard Linux filesystem of type `ext2`, `ext3`, or `ext4`. Filesystems don't require labels, but they're convenient for referring to filesystems in `/etc/fstab`.

- `sudo e2label /dev/sdb1 backups`     *Assign a label*
  - `sudo e2label /dev/sdb1`             *Print a label*
- backups

# RAID Arrays for Redundancy

`mdadm` Manage RAID arrays.

RAID (Redundant Array of Independent Disks) is a technique that distributes a computer's data across multiple disks, transparently, while acting like a single disk. Usually, RAID is for redundancy—if one disk dies, your files are still intact. Other types of RAID increase the performance of storage.

A bunch of disks in a RAID arrangement is called a RAID *array*. The type of RAID, called the RAID *level*, determines how many drive failures the array can tolerate and still guarantee the data's safety. Some standard RAID levels are RAID-0, RAID-1, RAID-5, RAID-10, and others you can explore on the web.

Let's create a minimal RAID-1 array using the most common RAID software for Linux, `mdadm`. RAID-1 adds redundancy simply by mirroring data from one drive to the others in the array. As long as one drive is still operating, the data is safe. For this example, I start with two disks, `/dev/sdf` and `/dev/sdg`, each of which has a 10 GB partition, `/dev/sdf1` and `/dev/sdg1`. The steps I show are largely the same for other RAID levels and additional devices. For full details, visit the [Linux Raid Wiki](#).

---

## WARNING

RAID operations can wipe out filesystems without confirmation. Practice the commands on spare drives or a virtual machine for safety.

---

## Create a RAID Array

First, show that no RAID setup exists yet:

```
→ cat /proc/mdstat
```

```
Personalities :
```

```
No RAID types listed
```

Create the RAID-1 array `/dev/md1`, from the two partitions:

```
→ sudo mdadm --create /dev/md1 --level 1 \  
--raid-devices 2 /dev/sdf1 /dev/sgd1
```

View `/proc/mdstat` again. The Personalities line now shows that RAID-1 is in use, and the next line shows the new array, `md1`, which is being built:

```
→ cat /proc/mdstat  
Personalities : [raid1]  
md1 : active raid1 sgd1[1] sdf1[0]  
10474496 blocks super 1.2 [2/2] [UU]  
[=====>.....] resync = 45.8% ...  
finish=0.4min ...
```

Optionally, wait for the build (“resync”) to complete:

```
→ cat /proc/mdstat  
Personalities : [raid1]  
md1 : active raid1 sgd1[1] sdf1[0]  
10474496 blocks super 1.2 [2/2] [UU]
```

However, you don’t have to wait. The array is usable immediately. Format and mount it like any other storage device:

```
→ sudo mke2fs /dev/md1 Format the array  
→ sudo mkdir /mnt/raid Mount it  
→ sudo mount /dev/md1 /mnt/raid  
→ df -h /mnt/raid View it
```

Filesystem	Size	Used	Avail	Use%	Mounted on
/dev/md1	9.9G	24K	9.4G	1%	/mnt/raid

Run `lsblk` to illustrate the RAID configuration:

```
→ lsblk  
:  
sdf          8:80  0    10G  0 disk  
└─sdf1       8:81  0    10G  0 part  
   └─md1      9:1   0    10G  0 raid1 /mnt/raid  
sdg          8:96  0    10G  0 disk  
└─sdg1       8:97  0    10G  0 part  
   └─md1      9:1   0    10G  0 raid1 /mnt/raid
```

Run `mdadm` to see more details about the array:

```

→ sudo mdadm --detail /dev/md1
dev/md1:
:
  Creation Time : Thu Jul 20 13:15:08 2023
    Raid Level : raid1
    Array Size : 10474496 (9.99 GiB 10.73 GB)
    Raid Devices : 2
      State : clean
Working Devices : 2
:
Number  Major  Minor  RaidDevice State
   0     8     81      0      active sync /dev/sdf1
   1     8     97      1      active sync /dev/sdg1

```

When you're satisfied with the array, save its configuration so it will survive reboots and mount itself. **Don't skip any steps.**

1. Save the RAID configuration to a file:
 

```

→ sudo mdadm --detail --scan --verbose > /tmp/raid
→ cat /tmp/raid
ARRAY /dev/md1 level=raid1 num-devices=2 ...

```
2. Use a text editor to append the contents of `/tmp/raid` to the configuration file `/etc/mdadm/mdadm.conf`, replacing any previous RAID configuration.
3. Run this command to update the Linux kernel:
 

```

→ sudo update-initramfs -u

```
4. Reboot. Check that your RAID array survived by mounting it by hand:<sup>3</sup>

```

→ sudo mount /dev/md1 /mnt/raid

```
5. If everything worked, add this line to `/etc/fstab` so your RAID array mounts at boot time:
 

```

/dev/md1 /mnt/raid ext4 defaults 0 2

```

---

<sup>3</sup> If your RAID array mysteriously renames itself `/dev/md127`, you forgot to run `update-initramfs` in the previous step.

---

## WARNING

Don't update */etc/fstab* too early. If your RAID configuration has a problem and you reboot, the computer might hang. Instead, test the configuration first by rebooting and mounting the array by hand, as I have.

---

## Replace a Device in a RAID Array

So, your RAID array is up and running. What happens when a device dies and needs replacement? First, the failure is visible in */proc/mdstat*. The failed device, */dev/sdf1*, is marked with (F), and the uptime indicator, which should read [UU] (two devices up), reads [U\_] (first device up, second device down).

→ **cat /proc/mdstat**

```
Personalities : [raid1]
md1 : active raid1 sdf1[1](F) sdg1[0]
      10474496 blocks super 1.2 [2/1] [U_]
```

*mdadm* also shows the array as “degraded” and the device as “faulty”:

→ **sudo mdadm --detail /dev/md1**

```
/dev/md1:
:
  Raid Devices : 2
    State : clean, degraded
Working Devices : 1
Failed Devices : 1
:
  Number Major Minor RaidDevice State
    1       8     97        -    faulty /dev/sdf1
```

To replace device */dev/sdf1*, mark it as failed (if it isn't already) and remove it from the RAID array:

→ **sudo mdadm --manage /dev/md1 --fail /dev/sdf1**  
→ **sudo mdadm --manage /dev/md1 --remove /dev/sdf1**

Shut down the computer, unplug the power cable, and physically swap the failed storage device for a new one of the same size or larger. I'll call it by a nonexistent name `/dev/NEW` to clearly distinguish it in my instructions because the following commands are destructive, and you don't want to mix up your drives. Substitute the correct device name on your system.

Boot the computer, identify a good drive in the RAID array (in our case, `/dev/sdg`), and copy its partition table onto the new device with the `sgdisk` command.

```
→ sudo sgdisk -R /dev/NEW /dev/sdg    Copy from sdg to NEW
→ sudo sgdisk -G /dev/NEW            Randomize GUIDs
```

The device `/dev/NEW` now has a 10 GB partition, `/dev/NEW1`. Add it to the array:

```
→ sudo mdadm --manage /dev/md1 --add /dev/NEW1
mdadm: added /dev/NEW1
```

The array immediately begins rebuilding itself, mirroring data onto the new device:

```
→ cat /proc/mdstat
:
[=====>.....]  recovery = 51.5% ...
                    finish=0.4min ...
```

When mirroring is complete, the new device `/dev/NEW1` has replaced the faulty device `/dev/sdf1`:

```
→ cat /proc/mdstat
Personalities : [raid1]
md1 : active raid1 NEW1[1] sgd1[0]
      10474496 blocks super 1.2 [2/2] [UU]
```

## Destroy a RAID Array

Should you ever want to destroy the RAID array and use the partitions for other purposes, run these commands, assuming your device names are `/dev/sdg1` and `/dev/sdh1`:

```
→ sudo umount /mnt/raid
→ sudo mdadm --stop /dev/md1
```

```
mdadm: stopped /dev/md1
```

```
→ sudo mdadm --zero-superblock /dev/sdg1 /dev/sdh1
```

Finally, update `/etc/fstab` and `/etc/mdadm/mdadm.conf` to remove the RAID array `/dev/md1`, and inform the kernel that the array is gone:

```
→ sudo update-initramfs -u
```

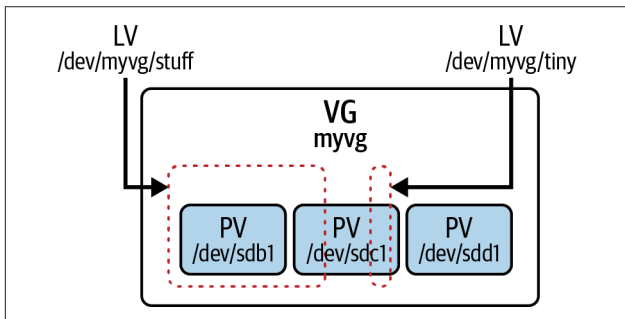
## Logical Volumes for Flexible Storage

<code>pvcreate</code>	Create a physical volume.
<code>pvdisplay</code>	View details of physical volumes.
<code>pvremove</code>	Delete a physical volume.
<code>pvs</code>	View other details of physical volumes.
<code>vgcreate</code>	Create a volume group.
<code>vgdisplay</code>	View details of volume groups.
<code>vgextend</code>	Add physical volumes to a volume group.
<code>vgreduce</code>	Remove physical volumes from a volume group.
<code>vgremove</code>	Delete a volume group.
<code>lvcreate</code>	Create a logical volume.
<code>lvdisplay</code>	View details of logical volumes.
<code>lvresize</code>	Resize a logical volume.
<code>lvremove</code>	Delete a logical volume.

Logical volume management (LVM) solves two annoying problems with disk storage:

- **Limited size.** When a disk fills up, you have to delete files or replace it with a larger disk.
- **Fixed partitions.** When you partition a disk, you guess how much space each partition will require, and if you're wrong, it's time-consuming to change.

LVM solves these problems by wrapping a layer of abstraction around physical storage. It collects together a bunch of physical disks of any sizes, called *physical volumes*, to simulate one big disk, which it calls a *volume group*. The volume group becomes a playground for creating simulated partitions, called *logical volumes*, that can grow and shrink on demand. **Figure 4-1** shows the relationship between physical volumes (PVs), the volume group (VG) that contains them, and logical volumes (LVs) that you carve out of the total space. If the VG runs out of space, simply add another physical volume and the VG grows. If a partition (LV) is the wrong size, just change it. Existing files are preserved. Any mass storage devices can be part of a volume group, even RAID arrays created with `mdadm` (see “**RAID Arrays for Redundancy**” on page 224).



*Figure 4-1. LVM concepts. Physical volumes (PV) are collected into a volume group (VG). Logical volumes (LV) are carved out of the VG.*

The most popular LVM software for Linux is called `lvm2`. It includes over 50 commands, which might seem like a lot, but their names follow a simple pattern: `pv`, `vg`, or `lv`, followed by a verb like `create`, `remove`, or `display`. So `vgcreate` creates a volume group, and `pvdisplay` prints information about a physical volume.



---

## WARNING

LVM operations can wipe out filesystems without confirmation. Practice the commands on spare drives or a virtual machine for safety.

Also, LVM provides no inherent redundancy. If one physical volume dies, you lose the whole volume group. For more safety, run LVM on top of RAID; see “RAID Arrays for Redundancy” on page 224.

---

I now present examples of using the most common lvm2 commands, using three empty 10 GB disk partitions, `/dev/sdb1`, `/dev/sdc1`, and `/dev/sdd1`.<sup>4</sup> lvm2 has dozens more commands, however. For a full list, view the manpage of any lvm2 command and jump to the end or visit [sourceware.org/lvm2](http://sourceware.org/lvm2).

## Create a First Logical Volume

This sequence of steps sets up two physical volumes, groups them into a 20 GB volume group, `myvg`, and creates a 15 GB logical volume, `stuff`:

- **sudo pvcreate /dev/sdb1 /dev/sdc1** *Create two PVs*  
Physical volume "/dev/sdb1" successfully created.  
Physical volume "/dev/sdc1" successfully created.
  - **sudo vgcreate myvg /dev/sdb1 /dev/sdc1** *Create a VG*  
Volume group "myvg" successfully created
  - **sudo lvcreate -L 15G -n stuff myvg** *Create the LV*  
Logical volume "stuff" created.
  - **sudo pvs** *View the PVs*
- | PV        | VG   | Fmt  | Attr | PSize   | PFree |
|-----------|------|------|------|---------|-------|
| /dev/sdb1 | myvg | lvm2 | a--  | <10.00g | 0     |
| /dev/sdc1 | myvg | lvm2 | a--  | <10.00g | 5.34g |

---

<sup>4</sup> Operate on **partitions rather than whole disks**.

The logical volume *stuff* is usable like any other storage device. Format and mount it:

```
→ sudo mke2fs /dev/myvg/stuff           Format the LV
→ sudo mkdir /mnt/stuff                 Mount it
→ sudo mount /dev/myvg/stuff /mnt/stuff
→ df -h /mnt/stuff                       View it
```

Filesystem	Size	Used	Avail	Use%	Mounted on
/dev/mapper/myvg-stuff	15G	24K	1.4G	1%	/mnt/stuff

When your LV is ready, add this line to */etc/fstab* to mount it at boot time:

```
/dev/mapper/myvg-stuff /mnt/stuff ext4 defaults 0 2
```

## View LVM Details

The `pvd`, `vg`, and `lv` commands print details about physical volumes, volume groups, and logical volumes, respectively. The commands `pvs`, `vgs`, and `lvs` print helpful summaries of that information.

```
→ sudo pvd                         Show all PVs
→ sudo pvd /dev/sdb1                Show selected PVs
→ sudo pvs                           Summarize PVs
→ sudo vgd                         Show all VGs
→ sudo vgd myvg                     Show selected VGs
→ sudo vgs                           Summarize VGs
→ sudo lvd                         Show all LVs
→ sudo lvd myvg/stuff               Show selected LVs
→ sudo lvs                           Summarize LVs
```

## Add a Logical Volume

Let's run `lvcreate` again to add a 2 GB logical volume called *tiny* to our volume group:

```
→ sudo lvcreate -L 2G -n tiny myvg
   Logical volume "tiny" created.
→ sudo mke2fs /dev/myvg/tiny           Format
→ sudo mkdir /mnt/tiny                 Mount
→ sudo mount /dev/myvg/tiny /mnt/tiny
```

```
→ df -h /mnt/tiny View
Filesystem                Size Used Avail Use% Mounted on
/dev/mapper/myvg-tiny    2.0G  24K  1.9G   1% /mnt/tiny
```

## Add Disks to a Volume Group

The `vgextend` command adds physical volumes to a volume group. Suppose you want to increase the size of *stuff* by 10 GB (to 25 GB), but there's only 3 GB of space left in volume group *myvg*. Enlarge your VG by adding a third physical volume, `/dev/sdd1`, increasing the VG's total size to 30 GB:

```
→ sudo pvcreate /dev/sdd1 Create another PV
→ sudo vgextend myvg /dev/sdd1 Grow the VG
```

At this point, the LVM setup looks like [Figure 4-1](#). Run `lsblk` to illustrate the LVM configuration:

```
→ lsblk /dev/sdb /dev/sdc /dev/sdd
NAME                MAJ:MIN RM  SIZE RO TYPE MOUNTPOINTS
sdb                  8:16   0   10G  0 disk
└─sdb1               8:17   0   10G  0 part
   └─myvg-stuff      253:0   0   15G  0 lvm  /mnt/stuff
sdc                  8:32   0   10G  0 disk
└─sdc1               8:33   0   10G  0 part
   ├─myvg-stuff      253:0   0   15G  0 lvm  /mnt/stuff
   └─myvg-tiny       253:1   0    2G  0 lvm  /mnt/tiny
sdd                  8:48   0   10G  0 disk
└─sdd1              8:49   0   10G  0 part
```

## Enlarge a Logical Volume

The `lvresize` command grows or shrinks a logical volume.<sup>5</sup> Let's enlarge the LV *stuff* to 25 GB:

```
→ sudo lvresize --resizefs --size 25G /dev/myvg/stuff
→ df -h /mnt/stuff
```

---

<sup>5</sup> Old-timers may resize an LV by running `lvextend`, `umount`, `fsck`, `resize2fs`, and `mount` in sequence. `lvresize` is easier.

Filesystem	Size	Used	Avail	Use%	Mounted on
/dev/mapper/myvg-stuff	25G	24K	24G	1%	/mnt/stuff

## Shrink a Logical Volume

It turns out the LV *stuff* doesn't need to be so large. Shrink it to 8 GB (making sure first that it has less than 8 GB in use):

```
→ sudo lvresize --resizefs --size 8G /dev/myvg/stuff
```

```
Do you want to unmount "/mnt/stuff" ? [Y|n] y
```

```
:
```

```
Logical volume myvg/stuff successfully resized.
```

```
→ df -h /mnt/stuff
```

Filesystem	Size	Used	Avail	Use%	Mounted on
/dev/mapper/myvg-stuff	7.9G	24K	7.5G	1%	/mnt/stuff

## Delete a Logical Volume

The `lvremove` command deletes a logical volume. Let's get rid of the LV *tiny*:

```
→ sudo umount /mnt/tiny First unmount the LV
```

```
→ sudo lvremove /dev/myvg/tiny Remove the LV
```

```
Do you really want to remove and DISCARD
```

```
active logical volume myvg/tiny? [y/n]: y
```

```
Logical volume "tiny" successfully removed
```

## Reduce a Volume Group

The `vgreduce` command removes an unused physical volume from a volume group. The PV remains managed by `lvm2`, just not within the VG *myvg*:

```
→ sudo vgreduce myvg /dev/sdd1
```

```
Removed "/dev/sdd1" from volume group "myvg"
```

## Delete a Volume Group

The `vgremove` command removes a volume group and deletes any logical volumes it contains:

```
→ sudo vgreduce myvg
```

```
Do you really want to remove volume group "myvg"
```

```
containing 1 logical volumes? [y/n]: y
Do you really want to remove and DISCARD
active logical volume myvg/stuff? [y/n]: y
Logical volume "stuff" successfully removed
Volume group "myvg" successfully removed
```

## Delete a Physical Volume

The `pvremove` command removes physical devices from LVM:

```
→ sudo pvremove /dev/sdb1 /dev/sdc1
Labels on physical volume "/dev/sdb1" wiped.
Labels on physical volume "/dev/sdc1" wiped.
```

## ZFS: A Modern, Do-It-All Filesystem

`zpool` Configure a ZFS storage pool.

`zfs` Configure a ZFS dataset.

---

### WARNING

ZFS operations can wipe out filesystems without confirmation. Practice the commands on spare drives or a virtual machine for safety.

---

ZFS (Zettabyte File System) packs advanced features like RAID, logical volume management, encryption, and compression into one convenient package. If you're accustomed to traditional Linux filesystems like `ext4`, ZFS may seem like an alien world. It has its own terminology with “pools” and “vdevs.” It doesn't use `/etc/fstab` or the `mount` command. You don't even need to partition or format your disks explicitly.

A ZFS *vdev*, short for “virtual device,” is a group of physical disks that work together. They might divide the data among themselves as if they were one big disk, like a RAID-0 “disk striping” setup. They might mirror each other for redundancy,

like a RAID-1 setup. They might operate as a disk cache; and there are other possibilities.

A collection of vdevs is called a *pool*. A pool acts like one big storage device. You can carve it up into units that are sort of like partitions, called *datasets*, and you can change their size limits and other attributes flexibly. Dataset names look like Linux paths without a leading slash. For example, a pool named `mypool` with a dataset named `stuff` would be named `mypool/stuff`. (Datasets can contain other datasets too, like `mypool/stuff/important`.) Add a leading slash, and you get the dataset's default Linux mount point, like `/mypool/stuff`.

ZFS isn't the only filesystem with advanced capabilities—another popular one is Btrfs—but it's among the easiest to configure.

---

#### NOTE

I discuss only the minimal ZFS functionality to do interesting things. Real ZFS systems need careful configuration, tuning, and plenty of RAM; read the docs at <https://oreil.ly/-t5Fu>.

---

To demonstrate ZFS with both mirroring and striping, I use two pairs of disks, as in **Figure 4-2**. Each pair is a vdev with mirroring (RAID-1). ZFS then stripes across the two vdevs (RAID-0), effectively creating a RAID-10 setup. This redundant pool can tolerate one failed drive in each vdev and keep the data safe.

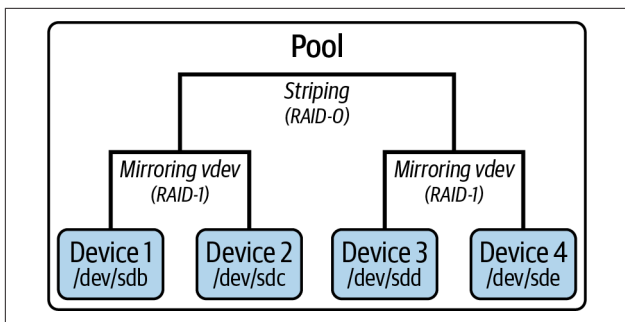


Figure 4-2. Our example ZFS configuration: a RAID-10 pool

## Create a ZFS Pool

Use the `zpool` command to construct the pool of two pairs of mirrored drives. I create a pool called `mypool` from four 10 GB disk devices, `/dev/sdb`, `/dev/sdc`, `/dev/sdd`, and `/dev/sde`:

```

→ sudo zpool create mypool \
  mirror /dev/sdb /dev/sdc \
  mirror /dev/sdd /dev/sde

```

---

### WARNING

The simple device names in my examples, like `/dev/sdb`, can change after a reboot. For a more robust setup, use names that are guaranteed not to change, like the symbolic links found in `/dev/disk/by-id` or `/dev/disk/by-uuid`.

Also, on real systems, be sure to set an appropriate alignment shift value with `-o ashift` on creation; see the docs.

---

Use `zpool status` to view the results.

→ **zpool status**

```
pool: mypool
state: ONLINE
config:
```

NAME	STATE	READ	WRITE	CKSUM	
mypool	ONLINE	0	0	0	<i>The pool</i>
mirror-0	ONLINE	0	0	0	<i>First vdev</i>
sdb	ONLINE	0	0	0	
sdc	ONLINE	0	0	0	
mirror-1	ONLINE	0	0	0	<i>Second vdev</i>
sdd	ONLINE	0	0	0	
sde	ONLINE	0	0	0	

## Create a ZFS Dataset

Traditional filesystems have partitions of fixed size that you mount in the file `/etc/fstab`. ZFS has datasets of arbitrary size that it mounts automatically. Create a dataset named `data` in pool `mypool`, mounted at the directory `/mypool/data`:

→ **sudo zfs create -o mypool/data**

Move the mount point if you like, to `/mnt/stuff`:

→ **sudo zfs set mountpoint=/mnt/stuff mypool/data**

View the results with either of these commands:

→ **zfs mount**

```
mypool          /mypool          The whole pool
mypool/data     /mnt/stuff       Your dataset
```

→ **zfs get mountpoint mypool/data**

```
NAME           PROPERTY        VALUE           SOURCE
mypool/data    mountpoint     /mnt/stuff     local
```

Now use the dataset like any other mounted partition:

→ **sudo cp /etc/hosts /mnt/stuff**

→ **cd /mnt/stuff**

→ **ls**

```
hosts
```



## Create an Encrypted ZFS Dataset

By adding a few options, you can create a dataset that's encrypted and requires a passphrase before mounting. Create an encrypted dataset named `mypool/cryptic`:

```
→ zfs create \  
  -o encryption=on \  
  -o keylocation=prompt \  
  -o keyformat=passphrase \  
  mypool/cryptic  
Enter new passphrase: xxxxxxxx  
Re-enter new passphrase: xxxxxxxx
```

Use the dataset normally. When you reboot or otherwise need to mount the dataset, run:

```
→ sudo zfs mount -l mypool/cryptic
```

## Set Size Limits on ZFS Datasets

By default, a ZFS dataset is the same size as the pool. Limit its size by setting a quota, which you may change anytime:

```
→ sudo zfs set quota=15g mypool/data  
→ zfs list
```

NAME	USED	AVAIL	REFER	MOUNTPOINT
<code>mypool</code>	312K	18.4G	25K	<code>/mypool</code>
<code>mypool/data</code>	24K	15.0G	24K	<code>/mnt/stuff</code> <i>15 GB limit</i>

## Enable Compression on ZFS Datasets

ZFS can automatically compress data as it's written and uncompress it when read. It supports various compression algorithms; here I use `gzip` compression and view how effectively files are being compressed (the compression ratio):

```
→ sudo zfs set compression=gzip mypool/data  
→ cp hugefile /mnt/stuff Store a big file  
→ zfs get compressratio See the compression ratio
```

NAME	PROPERTY	VALUE	SOURCE
<code>mypool</code>	<code>compressratio</code>	122.66x	-
<code>mypool/data</code>	<code>compressratio</code>	126.12x	-

After enabling compression, only new data is compressed; existing files are not. To turn off compression:

```
→ sudo zfs set compression=off mypool/data
```

## Snapshot a ZFS Dataset

ZFS supports *snapshots*: storing the state of a dataset so you can easily return to that state (roll back) later. Before performing a risky change on your files, for example, take a snapshot, and if something goes wrong, you can revert the change with a single command. Snapshots occupy very little disk space, and you can send them efficiently to other zpools or hosts (with `zfs send` and `zfs recv`). Create a snapshot of `mypool/data` named `safe`:

```
→ sudo zfs snapshot mypool/data@safe
```

List your snapshots:

```
→ zfs list -t snapshot
```

NAME	USED	AVAIL	REFER	MOUNTPOINT
mypool/data@safe	0B	-	24K	-

If you can't list snapshots, set `listsnapshots=on` and try again:

```
→ sudo zpool set listsnapshots=on mypool
```

Try changing some files in `mypool/data`. Then roll back to the snapshot `safe` and see that your changes are gone:

```
→ sudo zfs rollback mypool/data@safe
```

## Destroy a ZFS Dataset or Snapshot

Be careful with the `zfs destroy` command—it runs immediately without confirmation.

```
→ sudo zfs destroy mypool/data@safe A snapshot
```

```
→ sudo zfs destroy mypool/data A dataset
```



To mirror the directory *mydir* and its contents into another directory *mydir2* on a single machine:

```
→ rsync -a mydir mydir2
```

`rsync` is finicky about how you specify the first directory. If you write “*mydir*” as in the example here, that directory is copied into *mydir2*, creating the subdirectory *mydir2/mydir*. If instead, you’d rather have only the contents of *mydir* copied into *mydir2*, append a slash onto “*mydir*”:

```
→ rsync -a mydir/ mydir2
```

`rsync` can mirror a directory over a network to another host, securing the connection with SSH to prevent eavesdropping. Here I copy directory *mydir* to the account “smith” on remote host *server.example.com*, in a directory *D2*:

```
→ rsync -a mydir smith@server.example.com:D2
```

If you like `rsync` but also want to have incremental backups and manage them efficiently, try `rsnapshot` (<https://oreil.ly/VNfb->).

## Useful options

- o Copy the ownership of the files. (You might need superuser privileges on the remote host.)
- g Copy the group ownership of the files. (You might need superuser privileges on the remote host.)
- p Copy the file permissions.
- t Copy the file timestamps.
- r Copy directories recursively (i.e., including their contents).
- L Permit symbolic links to be copied (rather than the files they point to).
- D Permit devices to be copied. (Superuser only.)
- a Mirroring: copy all attributes of the original files. This implies all of the options `-Dogptrl` (think “dog patrol”).

- x When copying a tree of files, remain within the current filesystem; do not cross over into other mounted filesystems.
- z Compress the data for transit. Only useful for remote hosts over slow connections. Avoid compression when copying files locally (it's wasteful).
- n Dry-run mode: don't actually copy. Just display what *would* be done.
- v Verbose mode: print status information during the copy. Add `--progress` to display a numeric progress meter while files are copied.

---

## rclone

`stdin stdout -file --opt --help --version`

`rclone subcommand [options] [arguments]`

The `rclone` command connects your Linux system to popular cloud storage providers to copy files conveniently. It works with Dropbox, Google Drive, Microsoft OneDrive, Amazon S3, and about 50 other destinations. To get started, run `rclone config` and follow the prompts to set up a connection with your cloud provider of choice, which `rclone` calls a *remote*. Visit [rclone.org/docs](https://rclone.org/docs) for detailed instructions on configuration.

After choosing a name for your remote, such as `myremote`, refer to remote files with the syntax `myremote:path`, where *path* is a Linux-style file path. For example, a file `photo.jpg` in a remote directory `Photos` would be `myremote:Photos/photo.jpg`.

Backups are usually done with the `rclone sync` command, which synchronizes a local directory and a remote directory so they contain the same content, adding or deleting as necessary. It works much like the `rsync --delete` command. You can synchronize in either direction, from your local machine to the remote, or from the remote to your local machine. You can even set up client-side encryption, so files are transparently encrypted before they're copied to the remote and decrypted when they're copied back to your local system (see the docs).

Some common operations for backups include:

<code>rclone ls remote:</code>	List files on the remote recursively (append <code>--max-depth 1</code> for no recursion).
<code>rclone lsd remote:</code>	List only directories on the remote.
<code>rclone lsl remote:</code>	Display a long listing like <code>ls -l</code> from the remote recursively (append <code>--max-depth 1</code> for no recursion).
<code>rclone copy myfile remote:</code>	Copy a local file to the remote.
<code>rclone copy remote:myfile .</code>	Copy a remote file to your local system.
<code>rclone move myfile remote:</code>	Move a local file to the remote.
<code>rclone move remote:myfile .</code>	Move a remote file to your local system.
<code>rclone delete remote:myfile</code>	Delete a remote file.
<code>rclone sync mydir remote:mydir</code>	Synchronize local files onto the remote.
<code>rclone sync remote:mydir mydir</code>	Synchronize remote files onto your local system.

Run `rclone help` for a complete list of subcommands. Note that you can access fancier paths on the remote than my earlier examples show:

→ `rclone copy remote:Photos/Vacation/picture.jpg .`

## Useful options

- n Dry-run mode: don't actually copy. Just display what *would* be done.
- i Run interactively so you're prompted before changes.

---

## dd

stdin stdout -file --opt --help --version

dd [options]

dd is a low-level copier of bits and bytes. It can copy data from one file to another, say, from *myfile* to */tmp/mycopy*:

```
→ dd if=myfile of=/tmp/mycopy
2+1 records in
2+1 records out
1168 bytes (1.2 kB) copied, 0.000174074 s, 6.7 MB/s
```

It can even convert data while copying, like changing characters to uppercase while copying from *myfile* to */tmp/mycopy*:

```
→ dd if=myfile of=/tmp/mycopy conv=ucase
```

dd does much more than copy files. It can copy raw data directly from one disk device to another. Here's a command to clone a hard disk:

```
→ sudo dd if=/dev/device1 of=/dev/device2 bs=512 \
conv=noerror,sync OVERWRITES /dev/device2
```

Or, copy an entire disk device to create an ISO file. Make sure the output file is on a different disk device and has sufficient free space.

```
→ sudo dd if=/dev/device of=disk_backup.iso
```

---

### WARNING

dd, when run as the superuser, can *wipe out your hard drive* in seconds if you're not careful. Always double-check that the output file (the argument `of=`) is the one you intend. Back up your computer and keep a Linux "live" distro on hand for emergencies (see ["What's in This Book?" on page ix](#)) before experimenting with dd as root.

---

For some great advice on sophisticated uses of `dd`, visit <https://oreil.ly/R3krx>. My favorite tip is backing up a disk's master boot record (MBR), which is 512 bytes long, to a file called `mbr.txt`:

```
→ sudo dd if=/dev/device of=mbr.txt bs=512 count=1
```

## Useful options

<code>if=file</code>	Specify an input file or device.
<code>of=file</code>	Specify an output file or device. <b>Double-check that it's the correct one!</b>
<code>bs=N</code>	Copy <i>N</i> bytes (the "block size") at a time. (To set different block sizes for the input and output, use <code>ibs</code> and <code>obs</code> , respectively.)
<code>skip=N</code>	Skip past <i>N</i> blocks of input (of size <code>ibs</code> ) before starting the copy.
<code>seek=N</code>	Discard <i>N</i> blocks of output (of size <code>obs</code> ) before starting the copy.
<code>conv=spec</code>	Convert the data being copied. <i>spec</i> can be <code>ucase</code> (convert to uppercase), <code>lcase</code> (convert to lowercase), <code>ascii</code> (convert to ASCII from EBCDIC), and many others listed on the manpage.

---

## growisofs

`stdin` `stdout` `-file` `--opt` `--help` `--version`

```
growisofs [options] tracks
```

The `growisofs` command burns a writable CD, DVD, or Blu-ray disc. To burn the contents of a Linux directory onto a disc readable on Linux, Windows, and macOS systems:

1. Locate your disc writer devices by running:  
→ `grep "^drive name:" /proc/sys/dev/cdrom/info`  
drive name: sr1 sr0

The available devices here are `/dev/sr1` and `/dev/sr0`.

2. Put the files you want to burn into a directory, say, *dir*. Arrange them exactly as you'd like on the disc. The directory *dir* itself is not copied to the disc, just its contents.



3. Use the `mkisofs` command to create an ISO (disc) image file, and burn it onto a disc using `growisofs`, assuming your device is `/dev/sr1`:
  - `mkisofs -R -l -o $HOME/mydisk.iso dir`
  - `growisofs -dvd-compat -Z /dev/sr1=$HOME/mydisk.iso`
  - `rm $HOME/mydisk.iso`

To burn audio CDs, use a friendly graphical program like `k3b`.



---

# Networking Commands

## Host Information

- `uname` Print basic system information.
- `hostname` Print the system's hostname.
- `ip` Set and display network interface information.

Every Linux machine or *host* has a name, a network IP address, and other properties. Here's how to display this information.

---

**uname** `stdin stdout -file --opt --help --version`

`uname [options]`

The `uname` command prints fundamental information about the OS, particularly the kernel:

```
→ uname -a  
Linux myhost 5.15.0-76-generic #83-Ubuntu  
SMP Thu Jun 15 19:16:32 UTC 2023 x86_64  
x86_64 x86_64 GNU/Linux
```

This includes the kernel name (Linux), hostname (myhost), kernel release (5.15.0-76-generic), kernel version (#83-Ubuntu

SMP Thu Jun 15 19:16:32 UTC 2023), hardware name (x86\_64), processor type (also x86\_64), hardware platform (also x86\_64) and OS name (GNU/Linux).

## Useful options

- a All information
- s Only the kernel name (the default)
- n Only the hostname, as with the `hostname` command
- r Only the kernel release
- v Only the kernel version
- m Only the hardware name
- p Only the processor type
- i Only the hardware platform
- o Only the OS name

---

## hostname stdin stdout -file --opt --help --version

`hostname [options] [name]`

The `hostname` command prints the name of your computer. Depending on how you have things set up, this might be the fully qualified hostname:

→ **hostname**  
myhost.example.com

or your short hostname:

→ **hostname**  
myhost

You can also set your hostname, as root:

→ **sudo hostname orange**

---

## NOTE

Changes made by `hostname` might not survive a reboot. Consult your distro's documentation for any additional steps to make the change permanent, such as editing a configuration file that is read at boot time.

---

## Useful options

- s Print your host's short name.
- f Print your host's fully qualified name.
- d Print your host's DNS domain name.
- a Print all of your host's aliases.
- I Print all of your host's network addresses.
- F *hostfile* Set your hostname by reading it from file *hostfile*.

---

## ip

`stdin stdout -file --opt --help --version`

`ip [options] object command...`

The `ip` command displays and sets various aspects of your computer's network interface. This topic is beyond the scope of the book, but I'll teach you a few tricks.

If you know the name of your default interface, such as `eth0`, `ens160`, or `enp68s0`, view its details with this command:

```
→ ip addr show eth0
2: eth0: <BROADCAST,MULTICAST,UP,LOWER_UP> ...
   link/ether 00:50:ba:48:4f:ba brd ff:ff:ff: ...
   inet 192.168.0.21/24 brd 192.168.0.255 scope ...
   inet6 fe80::21e:8cff:fe53:41e4/64 ...
```

They include the IPv4 address (192.168.0.21), IPv6 address (fe80::21e:8cff:fe53:41e4/64), MAC address (00:50:ba:48:4f:ba),

and other details. If you don't know the interface name, view all loaded network interfaces:

```
→ ip addr show | less
```

Another command, `ifconfig`, presents information similar to `ip addr show`. It's considered mostly obsolete but you'll still find it on many systems.

```
→ ifconfig eth0 Details of one network interface
```

```
→ ifconfig -a Details of all network interfaces
```

Display other network information with the following `ip` commands. Add `help` on the end of any command (e.g., `ip link help`) for usage details.

<code>ip addr</code>	Display IP addresses of your network devices.
<code>ip maddr</code>	Display multicast addresses of your network devices.
<code>ip link</code>	Display attributes of your network devices.
<code>ip route</code>	Display your routing table.
<code>ip monitor</code>	Begin monitoring your network devices; press <code>^C</code> to stop.
<code>ip help</code>	See usage information for all these commands.

Superusers can also use `ip` to configure network devices, manage routing tables and rules, create tunnels, and more. Learn more about `ip` and [related tools](#) (known as `iproute2`) and on the `ip` manpage.

## Host Location

<code>host</code>	Look up hostnames, IP addresses, and DNS info.
<code>whois</code>	Look up the registrants of internet domains.
<code>ping</code>	Check if a remote host is reachable.
<code>traceroute</code>	View the network path to a remote host.

When dealing with remote computers, you might want to know more about them. Who owns them? What are the IP addresses? Where on the network are they located?

---

**host** `stdin stdout -file --opt --help --version`

`host [options] name [server]`

The `host` command looks up the hostname or IP address of a remote machine by querying DNS:

```
→ host www.ubuntu.org
www.ubuntu.com has address 69.16.230.226
→ host 69.16.230.226
226.230.16.69.in-addr.arpa domain name pointer
lb05.parklogic.com.
```

It can also find out much more:

```
→ host -a www.ubuntu.org
Trying "www.ubuntu.org"
;; ->HEADER<<- opcode: QUERY, status: NOERROR ...
;; flags: qr rd ra; QUERY: 1, ANSWER: 2, ...

;; QUESTION SECTION:
;www.ubuntu.org.                IN      ANY

;; ANSWER SECTION:
www.ubuntu.org.        60      IN      CNAME   ubuntu.org.
```

though a full discussion of this output is beyond the scope of this book. The final, optional “server” parameter specifies a particular nameserver for the query:

```
→ host www.ubuntu.org ns1.parklogic.com
Using domain server:
Name: ns1.parklogic.com
Address: 69.16.230.48#53
Aliases:
www.ubuntu.org has address 69.16.230.226
www.ubuntu.org mail is handled by ...
```

## Useful options

To see all options, run `host` by itself.

- a Display all available information about a host.
- t Choose the type of nameserver query: A, AXFR, CNAME, HINFO, KEY, MX, NS, PTR, SIG, SOA, and so on.

Here's an example of the `-t` option to locate MX records:

```
→ host -t MX centos.org  
centos.org mail is handled by 10 mail.centos.org.
```

If the `host` command doesn't meet your needs, try `dig`, another DNS lookup utility, or the `nslookup` command, which is mostly obsolete but still around.

---

## whois

`stdin` `stdout` `-file` `--opt` `--help` `--version`

```
whois [options] domain_name
```

The `whois` command prints the registration of an internet domain. The output is long, so pipe it through `less`:

```
→ whois linuxmint.com | less  
Domain name: LINUXMINT.COM  
Registrar: Ascio Technologies, Inc. Danmark  
Updated Date: 2023-05-16T22:22:38Z  
Creation Date: 2006-06-07T10:45:34Z  
Name Server: NS01.SERVAGE.NET  
⋮
```

## Useful options

- h *server* Perform the lookup at the given registrar's whois server. For example:  
→ **whois -h whois.com laude.com redhat.com**
- p *port* Query the given TCP port instead of the default (43).



---

## ping

`stdin` `stdout` `-file` `--opt` `--help` `--version`

`ping [options] host`

The `ping` command tells you if a remote host is reachable. It sends small messages called ICMP packets to a remote host, waits for responses, and prints how long they took:

```
→ ping slackware.com
PING slackware.com (64.57.102.36) 56(84) bytes of data.
64 bytes from connie.slackware.com (64.57.102.36):
  icmp_seq=1 ttl=52 time=107 ms
64 bytes from connie.slackware.com (64.57.102.36):
  icmp_seq=2 ttl=52 time=107 ms
^C
--- slackware.com ping statistics ---
2 packets transmitted, 2 received, 0% packet loss, ...
rtt min/avg/max/mdev = 107.207/107.350/107.494/0.143 ms
```

Here, the host `slackware.com` replied in 107 milliseconds. (Notice that its real name is `connie.slackware.com`.) Pings may be blocked by firewalls, so a running host might not respond.

### Useful options

- c *N* Ping at most *N* times. (Note that “ping” is a verb.)
- i *N* Wait *N* seconds (default 1) between pings. (Here “ping” is a noun.)
- n Print IP addresses in the output, rather than hostnames.
- 6 Use IPv6 instead of the default IPv4.

---

## traceroute

`stdin` `stdout` `-file` `--opt` `--help` `--version`

`traceroute [options] host [packet_length]`

The `traceroute` command prints the network path from your local host to a remote host, and the time it takes for packets to traverse the path:

→ **traceroute archlinux.org**

```
1 server.mydomain.com (192.168.0.20) 1.397 ms ...
2 10.221.16.1 (10.221.16.1) 15.397 ms ...
3 router.example.com (92.242.140.21) 4.952 ms ...
:
12 archlinux.org (95.217.163.246) 117.100 ms ...
```

traceroute sends three “probes” to each host in the path and reports the return times. If five seconds pass with no response, traceroute prints an asterisk. If traceroute is blocked by firewalls or cannot proceed for other reasons, it prints a symbol:

Symbol	Meaning
!F	Fragmentation needed
!H	Host unreachable
!N	Network unreachable
!P	Protocol unreachable
!S	Source route failed
!X	Communication administratively prohibited
!N	ICMP unreachable code <i>N</i>

The default packet size is 40 bytes. Change this value with the final, optional *packet\_length* parameter (e.g., `traceroute myhost 120`). For a more interactive experience, try the `mtr` command (“my traceroute”).

## Useful options

- n    Numeric mode: print IP addresses instead of hostnames.
- w *N*    Change the timeout from five seconds to *N* seconds.
- 6    Use IPv6 instead of the default IPv4.

## Network Connections

ssh    Log into a remote host, or run commands on it.

- scp Copy files between two hosts.
- sftp Interactively copy files between two hosts.
- netcat Create arbitrary network connections.

Linux makes it easy to connect from one host to another securely for remote logins, file transfers, and other purposes.

---

**ssh** `stdin stdout -file --opt --help --version`

`ssh [options] host [command]`

The `ssh` (Secure Shell) command securely logs you into a remote machine. If your local and remote usernames are the same, just provide the remote hostname:

```
→ ssh remote.example.com
smith@remote.example.com's password: xxxxxxxx
```

Otherwise, provide your remote username as well:

```
→ ssh sandy@remote.example.com One syntax
→ ssh -l sandy remote.example.com Another syntax
```

If you provide a command, `ssh` invokes it on the remote machine without starting an interactive login session:

```
→ ssh sandy@remote.example.com df Check free disk space
```

`ssh` encrypts all data that travels across its connection, including your username and password. The SSH protocol also supports other ways to authenticate, such as public keys: see the sidebar “[Public Key Authentication with SSH](#)” on page 258.

## Useful options

- l *user* Specify your remote username; otherwise, `ssh` assumes it equals your local username. Or use the syntax `username@host`:
  - `ssh sandy@remote.example.com`

- p *port* Connect to a *port* number other than the default (22).
- t Allocate a *tty* on the remote system; useful when trying to run a remote command with an interactive UI, such as a text editor.
- v Produce verbose output, useful for debugging. Repeat -v for more detailed messages.

## Public Key Authentication with SSH

Public key authentication is a more secure way to log into remote hosts with SSH. It uses a pair of cryptographic keys. Your private key remains on your local host in the directory `~/.ssh`, protected by a passphrase. Your public key is copied to remote hosts. First, generate a key pair:

### → **ssh-keygen**

```
Enter file to save the key (~/.ssh/id_rsa): <Enter>
Enter passphrase (empty for no passphrase): xxxxxxxx
Enter same passphrase again: xxxxxxxx
Your identification has been saved in ~/.ssh/id_rsa
```

Then, copy your public key to the remote host and log in:

### → **ssh-copy-id sandy@remote.example.com**

```
sandy@remote.example.com's password: xxxxxxxx
Number of key(s) added: 1
```

### → **ssh sandy@remote.example.com**

```
Enter passphrase for '/home/sandy/.ssh/id_rsa': xxxxxxxx
```

If the final `ssh` command fails to log you in, check that:

- The local and remote `~/.ssh` directories have mode 0700.
- The local private key file `~/.ssh/id_rsa` has mode 0600.
- The remote file `~/.ssh/authorized_keys` has mode 600.
- The public key in local file `~/.ssh/id_rsa.pub` appears in remote file `~/.ssh/authorized_keys`. If not, append the local file's contents to the remote `authorized_keys` and try again.

Also run `ssh -v` to print debug messages and look for clues. Run `ssh -vvv` for more verbose detail.

---

## scp

`stdin stdout -file --opt --help --version`

`scp local_spec remote_spec`

The `scp` (secure copy) command copies files and directories from one computer to another in batch. (For an interactive UI, see `sftp`.) It encrypts all communication between the two machines using SSH. As a simple example, `scp` can copy a local file to a remote machine:

→ `scp myfile remote.example.com:newfile`

recursively copy a directory to a remote machine:

→ `scp -r mydir remote.example.com:`

copy a remote file to your local machine:

→ `scp remote.example.com:myfile .`

or recursively copy a remote directory to your local machine:

→ `scp -r remote.example.com:mydir .`

You can even copy files from one remote machine to another if you have SSH access to both machines:

→ `scp remote1.example.com:myfile remote2.example.com:`

To specify an alternate username on the remote system, use the `username@host` syntax:

→ `scp myfile sandy@remote.example.com:`

### Useful options

- P *port* Connect on the given TCP port number (default is 22).
- p Preserve all file attributes (permissions, timestamps) when copying.
- r Recursively copy directories and their contents.
- v Produce verbose output, useful for debugging.

---

## sftp

`stdin stdout -file --opt --help --version`

`sftp (host | username@host)`

The `sftp` command is an interactive program that copies files securely between two computers using SSH. (Avoid the similarly named command `ftp`—most implementations send usernames, passwords, and files insecurely over the network.)

→ **sftp remote.example.com**

smith@remote.example.com's password: xxxxxxxx

sftp> **cd MyFiles** *Change remote directory*

sftp> **ls** *List remote directory*

README

file1

file2

file3

sftp> **get file2** *Transfer a remote file*

Fetching /home/sandy/MyFiles/file2 to file2

sftp> **quit**

If your username on the remote system is different from your local one, use the `username@host` argument:

→ **sftp sandy@remote.example.com**

Command	Meaning
<code>help</code>	View a list of available commands.
<code>ls</code>	List the files in the current remote directory.
<code>lls</code>	List the files in the current local directory.
<code>pwd</code>	Print the remote working directory.
<code>lpwd</code>	Print the local working directory.
<code>cd dir</code>	Change your remote directory to be <i>dir</i> .
<code>lcd dir</code>	Change your local directory to be <i>dir</i> .
<code>get file1 [file2]</code>	Copy remote <i>file1</i> to local machine, optionally renamed as <i>file2</i> .

Command	Meaning
<code>put file1 [file2]</code>	Copy local <i>file1</i> to remote machine, optionally renamed as <i>file2</i> .
<code>mget file*</code>	Copy multiple remote files to the local machine using patterns <i>*</i> and <i>?</i> .
<code>mput file*</code>	Copy multiple local files to the remote machine using patterns <i>*</i> and <i>?</i> .
<code>quit</code>	Exit sftp.

---

## netcat

`stdin stdout -file --opt --help --version`

`netcat [options] [destination] [port]`

`nc [options] [destination] [port]`

netcat, or equivalently, nc, is a general-purpose tool to make network connections. It's handy for debugging, learning about networking, and many other uses. For example, netcat can speak directly to any TCP or UDP service, such as an SSH server (if one is running) on your local TCP port 22:

```
→ netcat localhost 22
SSH-2.0-OpenSSH_8.9p1 Ubuntu-3ubuntu0.1
^C
```

This feature, which can determine if a particular service is up or down, also works with service names as listed in the file `/etc/services`. For example, you could connect to Google's web service (port 80) with:

```
→ netcat www.google.com http
abc <Enter> Type some junk and press Enter
HTTP/1.0 400 Bad Request
Content-Type: text/html; charset=UTF-8
Content-Length: 1555
Date: Tue, 18 Jul 2023 03:14:36 GMT
⋮
```

For old-school Linux users who run `telnet` to connect to TCP ports, `netcat` is more flexible. For example, create a client and a service that talk to each other. Begin with a service listening on port 55555:

```
→ netcat -l 55555
```

In another window, run a client that talks to that same port, and type a message:

```
→ netcat localhost 55555  
Hello world, how are you? <Enter>
```

Your message is sent to your service, which prints “Hello world, how are you?” and any subsequent lines you enter. Press `^C` in the client to close the connection.

## Useful options

- u Establish a UDP connection instead of TCP.
- l Listen for connections on the given port.
- p *N* Use port *N* as the source port.
- w *N* Time out after *N* seconds.
- h Get help.

## Email in Daily Use

- `mutt` Text-based mail client.
- `mail` Minimal text-based mail client.
- `mailq` View the outgoing mail queue on your system.

Most users receive their email in the cloud and read it in a web browser or a graphical email application. Few people read their email at the command line. Nevertheless, text-based email programs have interesting uses, particularly in scripts. I present one full-featured email client (`mutt`) that runs on the command line, followed by a few other mail-related commands. I assume



your system is already configured to accept email; otherwise, some commands will not work.

---

## mutt

`stdin stdout -file --opt --help --version`

`mutt [options]`

Mutt is a text-based mailer that runs in a shell, so it can be used both locally (e.g., in a terminal window) or remotely over an SSH connection. To invoke it, run:

→ **mutt**

When the main screen appears, `mutt` briefly lists messages in your mailbox, one per line. Try the following operations:

Keystroke	Meaning
Up arrow	Move to the previous message.
Down arrow	Move to the next message.
PageUp	Scroll up one pageful of messages.
PageDown	Scroll down one pageful of messages.
Home	Move to the first message.
End	Move to the last message.
m	Compose a new mail message. This invokes your default text editor. After editing the message and exiting the editor, type <code>y</code> to send the message or <code>q</code> to postpone it.
r	Reply to current message. Works like <code>m</code> .
f	Forward the current message. Works like <code>m</code> .
i	View the contents of your mailbox.
C	Copy the current message to another mailbox.
d	Delete the current message.

---

When you've finished editing a message, try these operations:

Keystroke	Meaning
a	Attach a file (an attachment) to the message.
c	Set the CC list.
b	Set the BCC list.
e	Edit the message again.
r	Edit the Reply-To field.
s	Edit the subject line.
y	Send the message.
C	Copy the message to a file.
q	Postpone the message without sending it.

The following operations are always available:

Keystroke	Meaning
?	See a list of all commands (press the space bar to scroll down, q to quit).
^G	Cancel the command in progress.
q	Quit.

---

**mail**                                    **stdin** **stdout** **-file** **--opt** **--help** **--version**

`mail [options] recipient`

The `mail` command is a simple email client. It's best for quick messages from the command line or in scripts. Send a message:

```
→ mail smith@example.com
Subject: my subject
I'm typing a message.
To end it, I type a period by itself on a line.
.
Cc: jones@example.com
→
```

Pipe any command's output to `mail` to send it in an email message. This feature is particularly useful in shell scripts.

```
→ echo "Wake up!" | mail -s "Alert" smith@example.com
```

To mail the contents of a text file, simply redirect the file to `mail`. This won't work for binary files like images, which must be converted to attachments first.

```
→ mail -s "my subject" smith@example.com < file.txt
```

## Useful options

- s *subject* Set the subject line of an outgoing message.
- c *addresses* CC to the given addresses, a comma-separated list.
- b *addresses* BCC to the given addresses, a comma-separated list.
- v Verbose mode: print messages about mail delivery.

---

## mailq

`stdin` `stdout` `-file` `--opt` `--help` `--version`

`mailq`

The `mailq` command lists outgoing email messages awaiting delivery, if any.

```
→ mailq
... Size-- ----Arrival Time-- -Sender/Recipient---
    333 Tue Jan 10 21:17:14 smith@example.com
                               jones@elsewhere.org
```

Mail delivery is often so quick that `mailq` has no output. Sent messages are also recorded in a log file such as `/var/log/mail.log`. The name may differ from distro to distro. View the last few lines with `tail`:

```
→ tail /var/log/mail.log
```

## Beyond Mail Readers

Email is more “transparent” on Linux than on other platforms that merely display your mailbox and send and receive messages. The ability to list outgoing email messages with `mailq` is just one example. Here are some other options to whet your appetite and encourage you to explore.

- Process your mailboxes with any command-line tools, such as `grep`, because mail files are plain text.
- Manually retrieve messages from a remote mail server at the command line with the `fetchmail` command. Using a simple configuration file, this command can reach out to IMAP and POP servers and download mail in batch. See `man fetchmail`.
- Run a mail server, such as `postfix`, for complex mail delivery situations; see “[Email Servers](#)” on page 266.
- Control local mail delivery in sophisticated ways with the `procmail` command, which filters arriving email messages through any arbitrary program. See `man procmail`.
- Perform spam filtering with the SpamAssassin suite of programs. Run it personally on your incoming email or at the server level for large numbers of users.

In short, email is not limited to the features of your mail-reading program. Investigate and experiment!

## Email Servers

Configuring a mail server is a complex job that can’t be taught in a few pages, so I just present some common operations. For Postfix, one of the most popular mail servers, I assume it’s already running on your local host. In case you don’t have a mail server yet, I also present Nullmailer, a simpler service that relays your mail to another server for delivery.

## Postfix: A Full-Featured Mail Server

Postfix is a powerful and popular mail server, and it's controlled by the `postfix` command. Important configuration files for the server are located in the directory `/etc/postfix`:

### *main.cf*

Variables that control Postfix's behavior, such as your server's name and domain, locations of important files, size limits on mailboxes and incoming mail, and more. After changing this file, run `sudo postfix reload` for the changes to take effect.

### *master.cf*

Defines how Postfix runs various services. Most users don't commonly edit this file, but if you do, run `sudo postfix reload` for the changes to take effect.

### *postfix-files*

Defines the correct permissions for all Postfix files. These permissions are critical for email security. Most users won't modify this file. To restore a Postfix installation to these permissions, run `sudo postfix set-permissions`.

### *sasl\_passwd*

Authentication information for connecting to a remote SMTP provider. After changing this file, run `sudo postmap /etc/postfix/sasl_passwd` for the changes to take effect. The file format is:

```
[smtpserver]:port username:password
```

where *smtpserver* is the remote SMTP server, *port* is its TCP port number (optional), and *username* and *password* are the authentication credentials. For example:

```
[smtp.example.com]:587 smith:SEEKRIT_PASSWURD
```

---

## WARNING

Protect all files in `/etc/postfix`. Keep the files `sasl_passwd` and `sasl_passwd.db` readable only by root (mode 0600) because they contain passwords.

---

Postfix usually runs automatically, but you can start and stop it by hand:

- **sudo postfix start**      *Run the server*
- **sudo postfix status**    *Check that the server is running*
- **sudo postfix stop**      *Halt the server gracefully*
- **sudo postfix abort**     *Kill the server ungracefully*

After a mail delivery problem, to deliver all queued mail immediately, run:

- **sudo postfix flush**

For more information on Postfix, visit [postfix.org](https://postfix.org).

## Nullmailer: Simple Outgoing Email

Postfix is complicated. A simpler solution is to forward your local host's email to another mail server for delivery. (You'll need an account on the remote mail server.) This is called setting up a relay-only mail server.

Suppose you have an account "smith" on a Linux host `example.com`, and you want to configure that host to send email. You also have an account "sandy" on a remote server, `mail.example.com`, that already runs Postfix for delivering mail. Install Nullmailer on your local host, either using your distro's package manager (preferred) or from <https://oreil.ly/82aMq>. Then, as the superuser, create three local files in the directory `/etc/nullmailer`:

*adminaddr*

Contains the email address to receive administrative emails, such as Nullmailer notices.

### *defaultdomain*

Contains the domain to set for all outgoing emails.

### *remotes*

Contains the login information for the remote mail server, including the password in plain text, so make sure this file is readable only by root:

```
→ chmod 0600 /etc/nullmailer/remotes
```

Here's what the three files look like in a typical installation:

```
→ cd /etc/nullmailer
→ cat adminaddr
smith@example.com
→ cat defaultdomain
example.com
→ cat remotes
cat: remotes: Permission denied
→ sudo cat remotes           The content must be on a single line
mail.example.com smtp --port=587 --tls --user=sandy
--pass=...
```

Your *remotes* file will require different values specific to your remote mail server. Run `man nullmailer-send` to learn about them. Once the three files are in place, enable and start the Nullmailer service:

```
→ sudo systemctl enable nullmailer
→ sudo systemctl start nullmailer
```

Send a test message:

```
→ echo hi | mail funkydance@another.example.com
```

Check that the message was relayed to mail.example.com:

```
→ tail /var/log/mail           Or other mail log file
...nullmailer-send: Starting delivery:
                        host: mail.example.com
...nullmailer-send: From: <smith@example.com> to:
                        <funkydance@another.example.com>
...nullmailer-send: Delivery complete
```

# Web Browsing

`lynx` Text-only web browser.

`curl` Access online content from the command line.

`wget` Download web pages and files.

Besides the usual web browsers such as Chrome and Firefox, Linux offers several ways to explore the World Wide Web via the command line.

---

## lynx

`stdin` `stdout` `-file` `--opt` `--help` `--version`

`lynx [options] [URL]`

Lynx is a stripped-down text-only web browser. It doesn't display pictures or play audio or video. All browsing is done by keyboard, not with a pointing device. But Lynx is incredibly useful when you just want a quick look at a page, when the network is slow, or for downloading the HTML of a website. It's particularly good for checking out a suspicious URL because Lynx doesn't run JavaScript and won't even accept a cookie without asking you first.

→ `lynx https://danieljbarrett.com`

Many pages won't look right, especially if they use tables or frames, but usually you can find your way around a site.

Keystroke	Meaning
<code>?</code>	Get help.
<code>k</code>	List all keystrokes and their meanings.
<code>^G</code>	Cancel a command in progress.
<code>q</code>	Quit Lynx.
Down arrow	Go to the next link or form field.
Up arrow	Go to the previous link or form field.



Keystroke	Meaning
Enter	“Click” the current link, or finish the current form field.
Right arrow	Go forward to next page, or “click” the current link.
Left arrow	Go back to previous page.
g	Go to a URL (you’ll be prompted to enter it).
p	Save, print, or mail the current page.
Space bar	Scroll down.
b	Scroll up.
^A	Go to top of page.
^E	Go to end of page.
m	Return to the main/home page.
/	Search for text on the page.
a	Bookmark the current page.
v	View your bookmark list.
r	Delete a bookmark.
=	Display properties of the current page and link.
\	View HTML source (press again to return to normal view).

Lynx has over one hundred options, so the manpage is worth reading. Other text-based browsers include `w3m`, `links`, and `eLinks`.

### Useful options

- dump                    Print the rendered page to standard output and exit.  
(Compare to the `-source` option.)
- source                 Print the HTML source to standard output and exit.  
(Compare to the `wget` command.)
- useragent=*name*     If a site is blocking Lynx, set the useragent to present as a different browser. Try `-useragent=mozilla`.



- v Verbose mode: print lots of diagnostic output.
- s Silent mode: no diagnostic output.

---

**wget**                      **stdin stdout -file --opt --help --version**

wget [*options*] *URL*

The `wget` command downloads data from a URL to a file. It's great for capturing individual web pages, downloading files, or duplicating entire website hierarchies to arbitrary depth. For example, let's capture the Yahoo! home page:

```
→ wget https://www.yahoo.com
2023-10-22 13:56:53 (3.45 MB/s) - 'index.html' saved
```

which is saved to a file *index.html* in the current directory. `wget` can resume a download if it gets interrupted in the middle, say, due to a network failure: just run `wget -c` with the same URL and it picks up where it left off.

Perhaps the most useful feature of `wget` is its ability to download files without needing a web browser:

```
→ wget https://linuxpocketguide.com/sample.pdf
```

This is great for large files like videos and ISO images. You can even write shell scripts to download sets of files if you know their names. Here's a script that downloads three MP4 videos named *1.mp4*, *2.mp4*, and *3.mp4* from the root of a website.

```
→ for i in 1 2 3
do
  wget https://example.com/$i.mp4
done
```

`wget` has over 70 options, so I cover just a few important ones.

## Useful options

- U *name* If a site is blocking `wget`, set the useragent to present as a different browser. Try `-U mozilla`.
- O *filename* Write all the captured HTML to the given file.
- i *filename* Read URLs from the given file and retrieve them in turn.
- c Continue an interrupted download. For example, if `wget` downloaded 100K of a 150K file, `wget -c` retrieves just the remaining 50K. `wget` can be fooled, however, if the remote file has changed since the first (partial) download, so use `-c` only if the remote file hasn't changed.
- t *N* Try *N* times before giving up. *N*=0 means try forever.
- progress=dot Print dots instead of bars to show download progress.
- spider Don't download, just check existence of remote pages.
- nd Retrieve all files into the current directory, instead of duplicating the remote directory hierarchy.
- r Retrieve a whole tree of pages recursively.
- l *N* Retrieve files at most *N* levels deep (5 by default).
- k Inside retrieved files, modify URLs so the files can be viewed locally in a web browser.
- p Download all necessary files to make a page display completely, such as stylesheets and images.
- L Follow relative links (within a page) but not absolute links.
- A *pattern* Accept mode: download only files whose names match a given pattern, using standard shell pattern-matching.
- R *pattern* Reject mode: download only files whose names *do not* match a given pattern.
- I *pattern* Directory inclusion: download files only from directories that match a given pattern.
- X *pattern* Directory exclusion: download files only from directories that *do not* match a given pattern.

---

# Getting Stuff Done

## Screen Output

- `echo` Print simple text on standard output.
- `printf` Print formatted text on standard output.
- `yes` Print repeated text on standard output.
- `seq` Print a sequence of numbers on standard output.
- `clear` Clear the screen or window.

Linux provides several commands to print messages on standard output. Each has different strengths and intended purposes. These commands are invaluable for learning about Linux, debugging, writing shell scripts (see “[Programming with Shell Scripts](#)” on page 311), or just talking to yourself.

---

**echo** `stdin stdout -file --opt --help --version`

`echo [options] strings`

The `echo` command simply prints its arguments:

```
→ echo We are having fun
We are having fun
```

Confusingly, there are several different echo commands with slightly different behavior. There's `/bin/echo`, but Linux shells typically override this with a built-in command called `echo`. To find out which you're using, run the following command:

```
→ type echo
echo is a shell builtin
```

## Useful options

- n Don't print a final newline character.
- e Recognize and interpret escape characters. For example, try `echo 'hello\a'` and `echo -e 'hello\a'`. The first prints literally and the second produces a beep.
- E Don't interpret escape characters: the opposite of `-e`.

Available escape characters are:

- \a Alert (play a beep)
- \b Backspace
- \c Don't print the final newline (same effect as `-n`)
- \f Form feed
- \n Line feed (newline)
- \r Carriage return
- \t Horizontal tab
- \v Vertical tab
- \\ A backslash
- \' Single quote
- \" Double quote
- \nnn The character whose ASCII value is *nnn* in octal (base 8)

---

## printf

`stdin` `stdout` `-file` `--opt` `--help` `--version`

`printf` *format\_string* [*arguments*]

The `printf` command is an enhanced echo: it prints formatted strings on standard output. It operates much like the C programming language function `printf()`, which applies a format string to a sequence of arguments to create some specified output. For example:

```
→ printf "User %s is %d years old.\n" sandy 29
User sandy is 29 years old.
```

The first argument is the format string, which in our example contains two format specifications, `%s` and `%d`. The subsequent arguments, `sandy` and `29`, are substituted by `printf` into the format string and then printed. Format specifications can get fancy with floating-point numbers:

```
→ printf "That'll be $%.2f, my friend.\n" 3
That'll be $3.00, my friend.
```

Linux has two `printf` commands: one built into `bash`, and one in `/usr/bin/printf`. The two behave almost identically with small differences; for example, only the built-in `printf` can store output in a shell variable (with the `-v` option).

Make sure the number of format specifications (`%`) equals the number of arguments to `printf`. With too few arguments, `printf` outputs default values (0 for numeric formats, an empty string for string formats). With too many arguments, `printf` iterates over the extras until they run out. Treat such mismatches as errors, even though `printf` is forgiving: they are bugs waiting to happen.

```
→ printf "%d %d\n" 10                                Too few arguments
10 0
→ printf "%d %d\n" 10 20 30 40                       Too many arguments
10 20
30 40
```

Format specifications are described in detail on the manpage for the C function `printf` (see `man 3 printf`). Here are some useful ones:

- `%d`    Decimal integer
- `%ld`   Long decimal integer
- `%o`    Octal integer
- `%x`    Hexadecimal integer
- `%f`    Floating point
- `%lf`   Double-precision floating point
- `%c`    A single character
- `%s`    String
- `%q`    String with any special shell characters escaped
- `%%`    A percent sign by itself

Set the minimum width of the output by inserting a numeric expression just after the leading percent sign. For example, “`%5d`” means to print a decimal number in a five-character-wide field, and “`%6.2f`” means a floating-point number in a six-character-wide field with two digits after the decimal point. Some useful numeric expressions are:

- `n`    Minimum width *n*
- `0n`   Minimum width *n*, padded with leading zeros
- `n.m`   Minimum width *n*, with *m* digits after the decimal point

`printf` also interprets escape characters like “`\n`” (print a new-line character) and “`\a`” (ring the bell). See the `echo` command for the full list.



---

## yes

`stdin` `stdout` `-file` `--opt` `--help` `--version`

`yes` [*string*]

The `yes` command prints “y” or a given string forever, one string per line:

```
→ yes
y
y
y
⋮
```

Though it might seem useless at first glance, `yes` can be perfect for commands that prompt the user to continue. Pipe the output of `yes` into the input of the command to answer every prompt affirmatively:

```
→ yes | any_interactive_command
```

When *any\_interactive\_command* terminates, so does `yes`.

---

## seq

`stdin` `stdout` `-file` `--opt` `--help` `--version`

`seq` [*options*] *specification*

The `seq` command prints a sequence of integers or real numbers that’s suitable to pipe to other programs. It supports three kinds of arguments:

*A single number: an upper limit*

`seq` begins at 1 and counts up to the number:

```
→ seq 3
1
2
3
```

*Two numbers: lower and upper limit*

`seq` begins at the first number and counts as far as it can without passing the second number:

```
→ seq 2 5
2
3
4
5
```

*Three numbers: lower limit, increment, and upper limit*

seq begins at the first number and increments by the second number as far as possible without passing the third number:

```
→ seq 1 .3 2
1
1.3
1.6
1.9
```

You can also go backward with a negative increment:

```
→ seq 5 -1 2
5
4
3
2
```

## Useful options

**-w** Print leading zeros, as necessary, to give all lines the same width:

```
→ seq -w 8 10
08
09
10
```

**-f *format*** Format the output lines with a `printf`-like format string, which must include either `%g` (the default), `%e`, or `%f`:

```
→ seq -f '***g**' 3
**1**
**2**
**3**
```

`-s string` Use the given string as a separator between the numbers. By default, a newline is printed (i.e., one number per line):

```
→ seq -s ':' 10
1:2:3:4:5:6:7:8:9:10
```

Bash and other shells have a similar feature to produce a sequence of numbers; see “[Brace Expansion](#)” on page 39.

```
→ echo {1..10}
1 2 3 4 5 6 7 8 9 10
```

---

**clear** `stdin stdout -file --opt --help --version`

clear

This command simply clears your display or shell window. Alternatively, press `^L`.

## Copy and Paste

`xclip` Copy and paste between the shell and the clipboard.

`xsel` Manipulate the clipboard from the shell.

Linux has a clipboard to copy and paste between graphical applications. Actually, Linux has three different clipboards, called *selections*. You can access the selections from the command line, send the output of any shell command to the selection, or read the selection like standard input.

These commands work only if your shell runs in an X11 environment such as GNOME or KDE. Wayland has other clipboard mechanisms such as `wl-copy` and `wl-paste`. In a non-graphical environment, the `tmux` and `screen` commands provide clipboards while running. If you’re using none of these environments, no clipboard exists.

---

## xclip

stdin stdout -file --opt --help --version

xclip [*options*]

xclip reads and writes the three Linux selections (clipboards) to copy and paste text between the shell and graphical applications. To see it in action, copy some text with your mouse to a selection—say, double-click a word in your terminal window—and then run:

→ **xclip -o**

The text you copied is printed on standard output. As another example, copy the contents of a file to a selection, and then print the selection:

→ **cat poem**

*See the file*

Once upon a time, there was  
a little operating system named  
Linux, which everybody loved.

→ **cat poem | xclip -i**

*Pipe file to selection*

→ **xclip -o**

*Print selection*

Once upon a time, there was  
a little operating system named  
Linux, which everybody loved.

All command-line options for xclip use single dashes, even -help and -version.

### Useful options

- selection *name* Choose a selection: primary (default), secondary, or clipboard. In my terminal windows, the middle mouse button pastes from primary, and “Paste” in the right-button menu uses clipboard.
- i Read the selection contents from standard input (default behavior).
- o Write the selection contents to standard output.

---

## xsel

`stdin` `stdout` `-file` `--opt` `--help` `--version`

`xsel` [*options*]

`xsel` is a more powerful version of `xclip`. Along with reading and writing the three selections (clipboards), it can also append to them, swap them, and clear them:

```
→ echo Hello | xsel -i
→ xsel -o
Hello
→ echo World | xsel -a      Append
→ xsel -o
Hello
World
```

### Useful options

- p Use the primary selection (default).
- s Use the secondary selection.
- b Use the clipboard selection.
- i Read the selection contents from standard input (default behavior).
- a Append to the selection.
- o Write the selection contents to standard output.
- c Clear the selection contents.
- x Swap (exchange) the contents of the primary and secondary selection.

## Math and Calculations

- `expr` Do simple math on the command line.
- `bc` Text-based calculator.
- `dc` Text-based RPN calculator.

Need a calculator? Linux provides some commands to compute mathematical truths for you.

---

## expr

stdin stdout -file --opt --help --version

expr *expression*

The `expr` command does simple math (and other expression evaluation) on the command line:

```
→ expr 7 + 3
10
→ expr '(' 7 + 3 ')' '*' 14   Quote any shell characters
140
→ expr length ABCDEFG
7
→ expr 15 '>' 16
0                               Zero means false
```

Bash provides a shorthand for `expr` using a dollar sign and a double parenthesis: `$((...))`. It's convenient for calculations within a command line:

```
→ echo The answer is: $((7 + 3))
The answer is: 10
```

Each argument must be separated by whitespace. Notice that you have to quote or escape any characters that have special meaning to the shell. Parentheses (escaped) may be used for grouping. Operators for `expr` include:

Operator	Numeric operation	String operation
<code>+, -, *, /</code>	Addition, subtraction, multiplication, and integer division, respectively	
<code>%</code>	Remainder (mod)	
<code>&lt;</code>	Less than	Earlier in dictionary
<code>&lt;=</code>	Less than or equal	Earlier in dictionary, or equal
<code>&gt;</code>	Greater than	Later in dictionary



```

15
scale=2                               Set precision to 2 decimal places
(1 + 2 * 3 / 4) - 5
-2.50
2^100                                  Raise 2 to the power 100
1267650600228229401496703205376
^D                                      Exit

```

Programmers may enjoy the ability to switch bases to perform calculations and conversions in binary, octal, hexadecimal, or even custom bases:

```

→ bc
ibase=2                               Display results in base 2
999
1111100111
ibase=16                               Or base 16
999
3E7

```

But `bc` doesn't stop there. It's also a programmable calculator that can define functions. Here's a function that implements the quadratic formula from algebra and prints the real roots of a given equation, stored in a file called *quadratic.txt*:<sup>1</sup>

```

→ cat quadratic.txt
scale=2
define quadform ( a, b, c ) {
  root1 = (-b + sqrt(b^2 - 4*a*c)) / (2*a)
  root2 = (-b - sqrt(b^2 - 4*a*c)) / (2*a)
  print root1, " ", root2, "\n"
}

quadform(1, 7, 12)                    Solve x2 + 7x + 12 = 0

```

Redirect the file to `bc` to run the function and see the results:

```

→ bc < quadratic.txt
-3.00 -4.00

```

---

<sup>1</sup> This demonstration code fails if the roots are imaginary.





- q Quit dc.
- f Print the entire stack.
- c Delete (clear) the entire stack.
- p Print the topmost value on the stack.
- P Pop (remove) the topmost value from the stack.
- n k* Set precision of future operations to be *n* decimal places (default is 0*k*, meaning integer operations).

To pop the top two values from the stack, perform a requested operation, and push the result:

- +**, **-**, **\***, **/** Addition, subtraction, multiplication, and division, respectively.
- %** Remainder (mod).
- ^** Exponentiation (second-to-top value is the base, top value is the exponent).

To pop the top value from the stack, perform a requested operation, and push the result:

- v** Square root.

Examples:

- dc**
- 4 5 + p** *Print the sum of 4 and 5*
- 9**
- 2 3 ^ p** *Raise 2 to the 3rd power and print the result*
- 8**
- 10 \* p** *Multiply the stack top by 10 and print the result*
- 80**
- f** *Print the stack*
- 80**
- 9**
- +p** *Pop the top two values and print their sum*
- 89**
- ^D** *Exit*

# Dates and Times

`cal` Print a calendar.

`date` Print or set the date and time.

Need a date? How about a good time? Try these commands to display and set dates and times on your system.

---

**cal** `stdin` `stdout` `-file` `--opt` `--help` `--version`

`cal [options] [month [year]]`

The `cal` command prints a calendar—by default, the current month:

```
→ cal
      January 2024
Su Mo Tu We Th Fr Sa
      1  2  3  4  5  6
 7  8  9 10 11 12 13
14 15 16 17 18 19 20
21 22 23 24 25 26 27
28 29 30 31
```

To print a different calendar, supply a month and four-digit year: `cal 8 2024` or `cal aug 2024`. If you omit the month (`cal 2024`), the entire year is printed. Note that several different `cal` programs exist and yours may behave differently.

## Useful options

- y Print the current year's calendar.
- 3 Three-month view: print the previous and next month as well.
- j Print each date by its position in the year. February 1 would be displayed as 32, February 2 as 33, and so on.

---

## date

`stdin` `stdout` `-file` `--opt` `--help` `--version`

`date` [*options*] [*format*]

The `date` command prints dates and times. The results depend on your system's locale settings (for your country and language). In this section, I assume an English, US-based locale.

By default, `date` prints the system date and time in the local timezone:

```
→ date
Sun Jun  4 02:09:05 PM EDT 2023
```

Format the output differently by supplying a format string beginning with a plus sign:

```
→ date +%x
06/04/2023
→ date '+The time is %l:%M %p on a lovely %A in %B'
The time is  2:09 PM on a lovely Sunday in June
```

Here is a sampling of the `date` command's many formats:

Format	Meaning	Example (US English)
--------	---------	----------------------

### Whole dates and times:

%c	Full date and time, 12-hour clock	Sun 04 Jun 2023 02:09:05 PM EDT
%D	Numeric date, 2-digit year	06/04/23
%x	Numeric date, 4-digit year	06/04/2023
%T	Time, 24-hour clock	14:09:05
%X	Time, 12-hour clock	02:09:05 PM

### Words:

%a	Day of week (abbreviated)	Sun
%A	Day of week (complete)	Sunday
%b	Month name (abbreviated)	Jun

Format	Meaning	Example (US English)
%B	Month name (complete)	June
%Z	Time zone	EDT
%p	AM or PM	PM
<b>Numbers:</b>		
%w	Day of week (0–6, 0=Sunday)	0
%u	Day of week (1–7, 1=Monday)	7
%d	Day of month, leading zero	04
%e	Day of month, leading blank	4
%j	Day of year, leading zeros	144
%m	Month number, leading zero	06
%y	Year, 2 digits	23
%Y	Year, 4 digits	2023
%M	Minute, leading zero	09
%S	Seconds, leading zero	05
%L	Hour, 12-hour clock, leading blank	2
%I	Hour, 12-hour clock, leading zero	02
%k	Hour, 24-hour clock, leading blank	14
%H	Hour, 24-hour clock, leading zero	14
%N	Nanoseconds	384789400
%s	Seconds since the beginning of Linux time: midnight January 1, 1970	1685902145
<b>Other:</b>		
%n	Newline character	
%t	Tab character	
%%	Percent sign	%

date also displays other dates and times via options.

## Useful options

- d *string* Display the given date or time *string*, formatted as you wish.
- r *filename* Display the last-modified timestamp of the given file, formatted as you wish.
- s *string* Set the system date and/or time to be *string*; only the superuser can do this.

## Version Control

git Perform version control using Git.

svn Perform version control using Subversion.

Version control systems like Git and Subversion let you keep track of changes to files, safely revert risky edits, and collaborate with teams to modify the same files without clobbering each others' work. I'll assume you already understand version control concepts like repositories, branches, and commits.

---

**git** `stdin` `stdout` `-file` `--opt` `--help` `--version`

git [*options*] *subcommand* [*arguments*]

Git is a popular and powerful version control system. It gives every participant their own full-featured repository and lets them share changes with other repositories. The git command has a rich set of features too large to teach here, but let's check out some common operations.

To get started, either create a local repository:

- **mkdir project**
- **cd project**
- **git init .**

or download a copy of a remote repository by its URL:

→ **git clone url**

After you edit some files, a common sequence of `git` commands is as follows:

→ <b>git status</b>	<i>List the changed files</i>
→ <b>git diff</b>	<i>Check changes line by line</i>
→ <b>git add -A</b>	<i>Stage the changed files</i>
→ <b>git diff --staged</b>	<i>Check the staged changes</i>
→ <b>git commit -m"comment"</b>	<i>Commit the staged changes locally</i>
→ <b>git show</b>	<i>View the committed changes</i>

## Staging and Undoing Changes

Staging means copying files to a hidden “staging area” to commit in the next `git commit`. The opposite is `git reset`, which removes (“unstages”) files from the staging area.

→ <b>git reset files...</b>	<i>Unstage some files</i>
→ <b>git reset</b>	<i>Unstage ALL files</i>

You can also undo changes that aren’t staged yet, restoring some or all files to their most recent commit.

→ <b>git restore files...</b>	<i>Undo unstaged changes in files</i>
→ <b>git reset --hard</b>	<i>Unstage, then undo ALL changes</i>

Older versions of Git use `git checkout` instead of `git restore`.

---

### WARNING

`git reset --hard` destroys *all* uncommitted changes, whether they’re staged or not. Be sure you mean it!

---

If you're working with a remote repository, push your changes there at your convenience. The following `git` command pushes your changes to the remote branch that matches your local one.

→ **git push origin HEAD**

Pull your teammates' changes into your local repository. This is a good practice to ensure your changes work with your teammates' before you push.

→ **git pull**

Another common workflow is to create a branch, commit various changes to it, merge the changes into the main branch when you're ready, and delete the branch when you're done.<sup>2</sup>

→ <b>git switch -c <i>branch_name</i></b>	<i>Create local branch</i>
→ ...	<i>Edit files and commit changes</i>
→ <b>git switch main</b>	<i>Switch to your main branch</i>
→ <b>git merge <i>branch_name</i></b>	<i>Merge your changes</i>
→ <b>git branch -d <i>branch_name</i></b>	<i>Delete local branch</i>

You can also push changes to a remote branch other than the main one:

→ **git push origin *branch***      *Push changes*

and delete a remote branch when your collaborators are finished with it:

→ **git push origin --delete *branch***      *Delete remote branch*

View your branch's change history:

→ **git log**

Each commit has a revision ID: a string of 40 hexadecimal digits, sometimes abbreviated to the first 7 digits. Many `git`

---

<sup>2</sup> Older Git versions use `git checkout [-b]` instead of `git switch [-c]`.



commands accept revision IDs as arguments, like `git log b77eb6b`.

Other common operations:

- `git branch` *List all branches*
- `git mv source dest` *Move a file/directory*
- `git cp source dest` *Copy a file/directory*
- `git rm file` *Delete a file*
- `git rm -r dir` *Delete a directory*

---

## svn

`stdin stdout -file --opt --help --version`

`svn subcommand [options] [arguments]`

Subversion is a version control system for a tree of files. Unlike Git, Subversion requires an existing repository before you can work on files, so I assume you already have access to a repository. The `svn` command has a rich set of features too large to teach here, but let's check out some common operations.

To get started, locate the URL of an existing repository and check it out, creating a local workspace called the *working copy*:

- `svn checkout URL`

After you edit files in the working copy, a common sequence of `svn` commands is as follows:

- `svn status` *List the changed files*
- `svn diff` *Review your changes*
- `svn commit -m"comment"` *Commit your changes*

If you create new files, you must tell Subversion that they're part of your working copy before committing them:

- `svn add new_files...` *Add to working copy*
- `svn commit -m"comment"` *Commit your changes*

Pull your teammates' changes into your working copy. This is a good practice to ensure your changes work with your teammates' before you commit.

- **cd root\_of\_your\_working\_copy**
- **svn update**

Another common workflow is to create a branch in the repository, commit various changes to it, and merge the changes into the main branch when you're ready. Subversion's branching syntax is trickier than Git's. A branch name is typically a URL within the repository, like the following examples:

- `https://example.com/path`      *Remote server, SSL*
- `svn://example.com/path`      *Remote server, SVN protocol*
- `svn://localhost/path`      *Local server, SVN protocol*

The following commands create a branch by copying the main branch, often called the *trunk*. They then commit changes to the new branch and merge it back into the trunk.

- **ls**
- `my_project`
- **svn cp my\_project my\_branch**      *Create branch*
- **nano my\_branch/file.py**      *Edit a file*
- **svn commit -m"edited in a branch"**      *Commit to branch*
- Adding            `my_branch`
- Sending            `my_branch/file.py`
- Transmitting file data .done
- Committing transaction...
- Committed revision 966.
- **cd my\_project**
- **svn merge -c966 svn://example.com/my\_branch .**      *Merge*
- Merging r966 into .:
- U    `file.py`
- **svn commit -m"merging into trunk"**      *Commit to trunk*
- Sending            `file.py`
- Transmitting file data .done
- Committing transaction...
- Committed revision 967.

View your change history:

→ **svn log**

Each commit has a revision ID: a positive integer that increases by 1 with each commit. IDs appear in the log. Many `svn` commands accept revision IDs as options, like `svn log -r25`. Specify a range of revisions with two IDs separated by a colon: `svn log -r25:28`.

Other operations:

→ <b>svn mv <i>source dest</i></b>	<i>Move a file/directory</i>
→ <b>svn rm <i>path</i></b>	<i>Delete a file/directory</i>
→ <b>svn cat [-r <i>revision</i>] <i>file</i></b>	<i>Print file on stdout</i>
→ <b>svn info <i>path</i></b>	<i>Print info about files</i>

## Containers

`docker` Package and run applications in containers.

Have you ever installed an application and discovered that your Linux system isn't configured to run it? Containers are a way to package up an application's code plus all its dependencies so it's ready to run on other systems. Even better, each running container is an isolated, miniature environment, sort of like a virtual machine but much lighter weight, which is great for scaling up applications, especially in the cloud.

Docker is a popular infrastructure for containers. I present its common uses and assume you have a Docker environment.

---

### **docker**

`stdin` `stdout` `-file` `--opt` `--help` `--version`

`docker subcommand [options] [arguments]`

The `docker` command creates, runs, and manages containers. Begin with a text file named *Dockerfile* that specifies a running container's contents and behavior. Here's a simple *Dockerfile* for

an image that simply sleeps for five minutes, but it could just as easily run a web server or do calculations.

```
# A image that sleeps for 5 minutes.  
# Based on a minimal image called alpine.  
FROM alpine  
CMD ["sleep", "300"]
```

Then “build” the Dockerfile to create an *image* that’s ready to run. Finally, run one or more instances of the image, each inside a container that is an isolated (sandboxed) process. A typical workflow is:

```
→ docker build -t example . Build an image named “example”  
→ docker run example & Run image in a container  
→ docker run example & Run image in another container  
→ docker ps List running containers  
CONTAINER ID IMAGE COMMAND ...  
ff6d0f5ad309 example "sleep 300" ...  
f80519480635 example "sleep 300" ...
```

Or, instead of creating a Dockerfile, download and run an image created by others. The Docker Registry is an infrastructure for sharing images. A typical workflow is:

```
→ docker search hello Search the Registry  
NAME DESCRIPTION  
hello-world Hello World! (an example of minimal...  
:  
→ docker pull hello-world Download an image  
→ docker run hello-world Run image in a container
```

---

## NOTE

Depending on how docker is installed on your system, you may need to run docker commands as root (`sudo docker`) or join the Linux group “docker” to run commands as yourself (`sudo usermod -aG docker $USER`).

---

## Common Docker Operations

For operations that need a container name or ID, run `docker ps` to find them. Most `docker` subcommands have options, and there are other subcommands I don't cover. The [Docker site](#) has full details.

### Images and Containers

<code>docker search string</code>	Locate an image in a central registry with a name or description matching <i>string</i> .
<code>docker pull image</code>	Download an image from a central registry.
<code>docker build image</code>	Given a Dockerfile, build an image.
<code>docker create image</code>	Given an image, create a container and don't run it.

### Executing Containers

<code>docker run image</code>	Create a container and run an instance of an image.
<code>docker stop names</code>	Stop the execution of containers with the given names or IDs. For a time, the containers can be restarted with <code>docker start</code> , but if they're stopped for long enough, they are killed.
<code>docker start names</code>	Start any stopped containers with the given names or IDs.
<code>docker restart names</code>	Same as <code>docker stop</code> followed by <code>docker start</code> .
<code>docker pause names</code>	Suspend all processes in containers with the given names or IDs. The container itself continues to run.
<code>docker unpause names</code>	Unpause containers with the given names or IDs.
<code>docker kill names</code>	Kill containers with the given names or IDs.

## Manipulating Containers and Images

<code>docker cp path1 path2</code>	Copy files to and from a container. One path is in your local filesystem and the other is within the container. Paths within a container begin with the container name or ID, a colon, and then a file path, like <code>45171c25a5a0:/etc</code> .
<code>docker exec name cmd</code>	Execute a command inside a container, such as <code>docker exec dcf10812030b ls -l</code> .
<code>docker diff name</code>	List file additions, removals, and changes in a container since it was run.
<code>docker rename old new</code>	Rename a container.
<code>docker rm [-f] name</code>	Remove (delete) a container. Use <code>-f</code> to force a deletion.
<code>docker rmi [-f] image</code>	Remove (delete) an image. Use <code>-f</code> to force a deletion.

## Monitoring Containers

<code>docker ps [-a]</code>	List all running containers. Add <code>-a</code> to list all containers.
<code>docker top name</code>	List processes running in the given container.
<code>docker logs [options] name</code>	View the system log of a given container. The option <code>--follow</code> prints the logs and continues monitoring them. The option <code>--tail N</code> prints the last <code>N</code> log lines. The option <code>--since T</code> begins the logs at timestamp <code>T</code> , such as <code>--since 2024-01-31</code> .

I've covered just the basics of the `docker` command. See [the manual](#) to learn more.

# Displaying and Processing Images

`display` Display a graphics file.

`convert` Convert files from one graphical format into another.

`mogrify` Modify a graphics file.

`montage` Combine graphics files.

For viewing or editing graphics, Linux has handy tools with tons of options. Let's focus on command-line tools from a package called **ImageMagick**. Its commands all have similar usage, and a full explanation is at <https://oreil.ly/nJZnm>.

---

**display**                      `stdin` `stdout` `-file` `--opt` `--help` `--version`

`display` [*options*] *files*

The `display` command displays images of numerous formats: JPEG, PNG, GIF, BMP, and more. It also includes a small suite of image editing tools that appear if you left-click the displayed image. Type `q` to exit the program.

→ `display photo.jpg`

The command is very powerful, with more than 100 options listed on its manpage.

## Useful options

- `-resize size` Resize the image. The size values are extremely flexible, including setting the width (800), the height (x600), both (800x600), a percentage to grow or shrink (50%), an area in pixels (480000@), and more.
- `-flip` Reverse the image vertically.
- `-flop` Reverse the image horizontally.
- `-rotate N` Rotate the image by *N* degrees, positive or negative.

- backdrop      Display the image on a backdrop of solid color that covers the rest of your screen.
- fill            Set the solid color used by the -backdrop option.
- delay *N*        Show the image for *N* seconds and then exit. If you list multiple images, you get a slideshow with a delay of *N* seconds between images.
- identify        Print information about the image's format, size, and other statistics to standard output.

---

## **convert**                    stdin   stdout   -file   --opt   --help   --version

`convert [input_options] infile [output_options] outfile`

The `convert` command copies an image and converts it to a different graphics format. For example, if you have a JPEG file, produce a PNG or PDF file of the same image:

- **convert photo.jpg newphoto.png**
- **convert photo.jpg newphoto.pdf**

Modify the copy at the same time, such as resizing or reversing it:

- **convert photo.jpg -resize 50% -flip newphoto.png**

`convert` accepts largely the same options as `display`.

---

## **mogrify**                    stdin   stdout   -file   --opt   --help   --version

`mogrify [options] file`

The `mogrify` command transforms an image like `convert` does, but it changes the original image file you provide, not a copy. (So `convert` is a safer command when experimenting on a favorite photo.) It accepts largely the same options as `display`:

- **mogrify -resize 25% photo.jpg**



---

## montage

stdin stdout -file --opt --help --version

montage *infile* [*options*] *outfile*

montage produces a single image file from a collection of input files. For example, create a sheet of thumbnails as a single image, labeling each thumbnail with its original filename:

```
→ montage photo.jpg photo2.png photo3.gif \  
   -geometry 120x176+10+10 -label '%f' outfile.jpg
```

montage provides great control over how those images appear. The preceding command, for example, produces thumbnails of size  $120 \times 176$  pixels, offset by 10 pixels horizontally and vertically (creating space between the thumbnails), and labeled with their input filename.

### Useful options

- geometry *WxH*[+|-]*X*[+|-]*Y* Set the width (*W*), height (*H*), and (*X*,*Y*) offset of the images. Example value:  $120 \times 176 + 10 - 10$ .
- frame *N* Draw a frame of *N* pixels around each image.
- label *string* Label each image with any *string*, which can contain special escape characters beginning with a percent sign: %f for the original filename, %h and %w for height and width, %m for file format, and about 40 others.

## Audio and Video

- mediainfo Print details about a multimedia file.
- cdparanoia Rip audio from CDs to WAV files.
- lame Convert from WAV to MP3.
- id3info View ID3 tags in an MP3 file.

<code>id3tag</code>	Edit ID3 tags in an MP3 file.
<code>ogginfo</code>	View information about an OGG file.
<code>metaflac</code>	View and edit information about a FLAC file.
<code>sox</code>	Convert between audio file formats.
<code>mplayer</code>	Play a video or audio file.
<code>ffmpeg</code>	Convert between video and/or audio file formats.

There are numerous Linux programs with graphical interfaces for playing and editing audio and video, but let's focus once again on command-line tools.

---

## mediainfo

`stdin` `stdout` `-file` `--opt` `--help` `--version`

`mediainfo` [*options*] *files*

The `mediainfo` command displays details about video and audio files.

→ **mediainfo clip.mp4**

General

```
Complete name      : clip.mp4
Format             : MPEG-4
Format profile     : Base Media / Version 2
Codec ID          : mp42 (mp42/mp41/isom/avc1)
File size         : 1.11 MiB
Duration          : 23 s 275 ms
Overall bit rate  : 399 kb/s
:
```

`mediainfo` has options, but usually the default output is sufficient. If you need more, add the option `-f` (“full”) to print every picky detail about a media file.

---

## cdparanoia

`stdin` `stdout` `-file` `--opt` `--help` `--version`

`cdparanoia` [*options*] *span* [*outfile*]

The `cdparanoia` command reads (rips) audio data from a CD and stores it in WAV files (or other formats: see the manpage). Common uses are:

`cdparanoia` *N*

Rip track *N* to a file.

`cdparanoia` `-B`

Rip all tracks on the CD into separate files.

`cdparanoia` `-B` 2-4

Rip tracks 2, 3, and 4 into separate files.

`cdparanoia` 2-4

Rip tracks 2, 3, and 4 into a single file.

If you experience difficulty accessing your drive, try running `cdparanoia -Qvs` (meaning “search for CD-ROM drives verbosely”) and look for clues.

---

## lame

`stdin` `stdout` `-file` `--opt` `--help` `--version`

`lame` [*options*] *file.wav*

The `lame` command converts a WAV audio file (say, *song.wav*) into an MP3 file:

→ `lame song.wav song2.mp3`

It has over one hundred options to control bit rate, convert other formats, add ID3 tags, and much more.

---

## id3info

`stdin` `stdout` `-file` `--opt` `--help` `--version`

`id3info` [*options*] [*files*]

The `id3info` command displays information about an MP3 audio file, such as the song title, recording artist, album name, and year. The file must contain ID3 tags. There are no options except `--help` and `--version`:

→ **id3info knots.mp3**

\*\*\* Tag information for knots.mp3

=== TIT2 (Title/songname/content description): Knots

=== TPE1 (Lead performer(s)/Soloist(s)): Gentle Giant

=== TALB (Album/Movie/Show title): Octopus

=== TYER (Year): 1972

\*\*\* mp3 info

MPEG1/layer III

Bitrate: 320KBps

Frequency: 44KHz

---

## id3tag

`stdin` `stdout` `-file` `--opt` `--help` `--version`

`id3tag` [*options*] *files*

The `id3tag` command adds or modifies ID3 tags in an MP3 file. For example, to tag an MP3 file with a new title and artist, run:

→ **id3tag -A "My Album" -a "Loud Linux Squad" song.mp3**

### Useful options

- A *name* Set the artist's name.
- a *title* Set the album title.
- s *title* Set the song title.
- y *year* Set the year.
- t *number* Set the track number.
- g *number* Set the genre number.

---

## ogginfo

stdin stdout -file --opt --help --version

ogginfo [*options*] [*files*]

ogginfo is a simple command that displays information about an Ogg Vorbis audio file:

```
→ ogginfo knots.ogg
Processing file "knots.ogg"...
:
User comments section follows...
    Title=Knots
    Artist=Gentle Giant
    Album=Octopus
    :
Vorbis stream 1:
    Total data length: 69665 bytes
    Playback length: 0m:05.067s
    Average bitrate: 109.973744
```

Add the -h option for more detailed usage information.

---

## metaflac

stdin stdout -file --opt --help --version

metaflac [*options*] [*files*]

The metaflac command displays or changes information about a FLAC audio file. To display information, run:

```
→ metaflac --list knots.flac
:
sample_rate: 44100 Hz
channels: 2
bits-per-sample: 16
total samples: 223488
:
comments: 4
comment[0]: Title=Knots
comment[1]: Artist=Gentle Giant
comment[2]: Album=Octopus
comment[3]: Year=1972
```

The simplest way to change information, such as the title and artist, is to export the information to a text file, edit the file, and then reimport it:

```
→ metaflac --export-tags-to info.txt knots.flac
→ cat info.txt
Title=Knots
Artist=Gentle Giant
Album=Octopus
Year=1972
→ nano info.txt Make changes and save the file
→ metaflac --import-tags-from info.txt knots.flac
```

## Useful options

`--show-tag name` Display the value for the named tag, such as title, artist, album, year, etc. There are many other “show” options for other information: see the manpage.

`--remove-tag name` Remove all occurrences of the named tag (title, artist, etc.) from the FLAC file.

---

## SOX

`stdin` `stdout` `-file` `--opt` `--help` `--version`

`sox [options] infile outfile`

sox is the simplest command to convert from one audio file format to another. It supports MP3, OGG, FLAC, WAV, and dozens of other formats. (Run `man soxformat` for a list.) Simply specify the new format using the correct file extension, as in these examples:

```
→ sox knots.mp3 knots2.wav MP3 to WAV
→ sox knots.ogg knots2.mp3 OGG to MP3
→ sox knots.flac knots2.ogg FLAC to OGG
```

sox has *many* other uses, including combining audio files and adding special effects. See the manpage for details.

## Useful options

- S Show a progress meter; useful for long conversions.
- no-clobber Don't overwrite the output file if it already exists.
- t *type* Specify the type of the input file, if sox cannot figure it out. See `man soxformat` for the list of types.

---

## mpplayer

`stdin` `stdout` `-file` `--opt` `--help` `--version`

`mpplayer [options] video_files...`

The `mpplayer` command plays video and audio files in many formats (MPEG, AVI, MOV, and more):

→ `mpplayer clip.mp4`

Press the space bar to pause and resume the video, the cursor keys to jump forward and backward, and Q to quit. `mpplayer` also plays audio files and has dozens of options on its manpage. Learn more at <https://oreil.ly/96S5B>.

Other popular video players for Linux include (`vlc`), (`kafaine`), and (`xine`).

---

## ffmpeg

`stdin` `stdout` `-file` `--opt` `--help` `--version`

`ffmpeg [input_options] -i input [output_options] output`

The `ffmpeg` command converts video file formats, splits and appends videos, extracts audio tracks, creates thumbnail images for videos, and much more. To understand `ffmpeg` thoroughly, it helps to know digital video concepts like frame rates, demuxing, and codecs; but in this pocket guide I cover just a few common uses. For more complicated tasks, your best bet is to search the web for someone else's `ffmpeg` solution.

---

## NOTE

ffmpeg is sensitive to the order of its options, unlike most other Linux commands. Wherever you place the option `-i filename` on the command line, input file options come before it and output file options come after. If an input option sits among output options or vice versa, ffmpeg may fail mysteriously.

---

Convert a video file *myvideo.mp4* from MP4 to MOV format:

```
→ ffmpeg -i myvideo.mp4 myvideo.mov
```

Extract 10 seconds of video (`-t 10`) beginning at the two minute mark (`-s 00:02:00`) and store it in a file *extract.mp4*:

```
→ ffmpeg -i myvideo.mp4 -ss 00:02:00 -t 10 \  
-codec copy extract.mp4
```

Extract audio from *myvideo.mp4* into an MP3 file *audio.mp3*:

```
→ ffmpeg -i myvideo.mp4 -q:a 0 -map a audio.mp3
```

Append multiple videos to create *movie.mp4*. Start with a text file that lists the paths to the source videos, then run ffmpeg:

```
→ cat videos.txt  
file 'video1.mp4'  
file 'video2.mp4'  
file 'video3.mp4'  
→ ffmpeg -f concat -safe 0 -i videos.txt -c copy \  
movie.mp4
```

Create a thumbnail image from a video file *myvideo.mp4* by extracting a single frame (`-vframes 1`) at the five-second mark (`ss 5`) into a JPEG file *thumb.jpg*, sized 160 × 120 pixels:

```
→ ffmpeg -ss 5 -i myvideo.mp4 -vcodec mjpeg \  
-vframes 1 -an -f rawvideo -s 160x120 thumb.jpg
```

ffmpeg has an extensive help system built in (see the manpage):



- **ffmpeg -encoders** *List supported encoders*
- **ffmpeg --help encoder=mpeg4** *Get details about one*

## Programming with Shell Scripts

Bash has a built-in programming language. You can write *shell scripts* (bash programs) to accomplish tasks that a single command cannot. The command `reset-lpg`, supplied in the book's examples directory, is a shell script that you can read:

- **less ~/linuxpocketguide/reset-lpg**

Like any good programming language, bash has variables, conditionals (if-then-else), loops, input and output, and more. Entire books and online courses have been written on shell scripting; I cover the bare minimum to get you started. For greater detail, run `info bash`, pick up a bash scripting book, or search the web for bash scripting tutorials.

## Creating and Running Shell Scripts

To create a shell script, simply put bash commands into a file as you would type them. To run the script, you have three choices:

*Prepend `#!/bin/bash` and make the file executable*

This is the most common way to run scripts. Add the line:

```
#!/bin/bash
```

to the very top of the script file. It must be the first line of the file, left-justified. Then make the file executable:

- **chmod +x myscript**

Then run the script. For a script in the current directory, you will probably have to prepend `./` so the shell can locate the script. (The current directory is generally not in your search path for security reasons. You wouldn't want a malicious script named `ls` in the current directory to silently override the real `ls` command.)

- **./myscript**

Alternatively, move the script into a directory in your search path and run it like any other command:

→ **myscript**

*Pass to bash*

Run `bash` with the script filename as an argument.

→ **bash myscript**

*Run in current shell with source or a dot*

The preceding methods run your script as an independent entity that has no effect on your current shell.<sup>3</sup> If you want a script to make changes to your current shell (setting variables, changing directory, etc.), run it with the `source` command or a single dot:

→ **source myscript**

→ **. myscript**

## Whitespace and Linebreaks

Bash shell scripts are sensitive to whitespace and linebreaks. Because the “keywords” of this programming language are actually commands evaluated by the shell, you must separate arguments with whitespace. Likewise, a linebreak tells the shell that a command is complete, so a linebreak in the middle of a command can cut the command short. Follow the conventions I present here and you should be fine. (Also see my formatting advice in the sidebar “[Style in Shell Scripts](#)” on page 317.)

To split a long command into multiple lines, end each line (except the last) with a single `\` character, which means “continued on next line.” Here’s a script with a long `grep` command:

```
#!/bin/bash
grep abcdefghijklmnopqrstuvwxyz file1 file2 file3 \
file4 file5
```

---

<sup>3</sup> That’s because the script runs in a separate shell (a *child shell*) that cannot alter the original shell.

## Variables

I described shell variables in “Shell Variables” on page 39:

```
→ MYVAR=6
→ echo $MYVAR
6
```

All values held in variables are strings, but if they are numeric, the shell treats them as numbers when appropriate:

```
→ NUMBER="10"
→ expr $NUMBER + 5
15
```

When you refer to a variable’s value in a shell script, it’s a good idea to surround it with double quotes to prevent certain run-time errors. An undefined variable, or a variable with spaces in its value, evaluates to something unexpected if not surrounded by quotes, causing your script to malfunction:

```
→ FILENAME="My Document"           Space in the name
→ ls $FILENAME                     Try to list it
ls: My: No such file or directory  ls saw 2 arguments
ls: Document: No such file or directory
→ ls -l "$FILENAME"                List it properly
My Document                         ls saw only 1 argument
```

If a variable name is evaluated adjacent to another string, surround it with curly braces to prevent unexpected behavior:

```
→ HAT="fedora"
→ echo "The plural of $HAT is $HATs"
The plural of fedora is           No variable "HATs"
→ echo "The plural of $HAT is ${HAT}s"
The plural of fedora is fedoras  What we wanted
```

## Input and Output

Scripts can print to standard output with the `echo` and `printf` commands, which I described in “Screen Output” on page 275:

```
→ echo "Hello world"
Hello world
→ printf "I am %d years old\n" `expr 20 + 20`
I am 40 years old
```

Scripts can read from standard input with the `read` command, which grabs one line of input and stores it in a variable:

```
→ read name
Sandy Smith <ENTER>
→ echo "I read the name $name"
I read the name Sandy Smith
```

See also “Command-Line Arguments” on page 323.

## Booleans and Exit Codes

Before I describe conditionals and loops, you need the concept of a Boolean (true/false) test. To the shell, the value 0 means true or success, and anything else means false or failure. (Think of zero as “no error” and other values as error codes.)

Additionally, every Linux command returns an integer value to the shell when the command exits. This value is called an *exit code*, *exit value*, or *exit status*.

You can see this value in the special variable  `$?` :

```
→ cat exittest
My name is Sandy Smith and
I really like Ubuntu Linux
→ grep Smith exittest
My name is Sandy Smith and      A match was found...
→ echo $?
0                                ...so exit code is “success”
→ grep aardvark exittest
→ echo $?
1                                No match was found...
                                ...so exit code is “failure”
```

A command's exit codes are documented on its manpage.

## The test Command

The `test` command (built into the shell) evaluates simple Boolean expressions involving numbers and strings, and sets its exit status to 0 (true) or 1 (false):

```
→ test 10 -lt 5           Is 10 less than 5?
→ echo $?
1                          No, it isn't
→ test -n "hello"        Does "hello" have nonzero length?
→ echo $?
0                          Yes, it does
```

Here are common `test` arguments to check properties of integers, strings, and files:

### File tests

<code>-d name</code>	File <i>name</i> is a directory.
<code>-f name</code>	File <i>name</i> is a regular file.
<code>-L name</code>	File <i>name</i> is a symbolic link.
<code>-r name</code>	File <i>name</i> exists and is readable.
<code>-w name</code>	File <i>name</i> exists and is writable.
<code>-x name</code>	File <i>name</i> exists and is executable.
<code>-s name</code>	File <i>name</i> exists and its size is nonzero.
<code>f1 -nt f2</code>	File <i>f1</i> is newer than file <i>f2</i> .
<code>f1 -ot f2</code>	File <i>f1</i> is older than file <i>f2</i> .

### String tests

<code>s1 = s2</code>	String <i>s1</i> equals string <i>s2</i> .
<code>s1 != s2</code>	String <i>s1</i> does not equal string <i>s2</i> .
<code>-z s1</code>	String <i>s1</i> has zero length.
<code>-n s1</code>	String <i>s1</i> has nonzero length.

## Numeric tests

<code>a -eq b</code>	Integers <i>a</i> and <i>b</i> are equal.
<code>a -ne b</code>	Integers <i>a</i> and <i>b</i> are not equal.
<code>a -gt b</code>	Integer <i>a</i> is greater than integer <i>b</i> .
<code>a -ge b</code>	Integer <i>a</i> is greater than or equal to integer <i>b</i> .
<code>a -lt b</code>	Integer <i>a</i> is less than integer <i>b</i> .
<code>a -le b</code>	Integer <i>a</i> is less than or equal to integer <i>b</i> .

## Combining and negating tests

<code>t1 -a t2</code>	And: Both tests <i>t1</i> and <i>t2</i> are true.
<code>t1 -o t2</code>	Or: Either test <i>t1</i> or <i>t2</i> is true.
<code>! your_test</code>	Negate the test (i.e., <i>your_test</i> is false).
<code>\( your_test \)</code>	Use parentheses for grouping, as in algebra.

You can write tests in bash in three ways. The first uses the test command as I've already shown. The second is to surround a condition with double square brackets:

<code>→ [[ 10 -lt 5 ]]</code>	<i>Is 10 less than 5?</i>
<code>→ echo \$?</code>	
1	<i>No, it isn't</i>
<code>→ [[ -n "hello" ]]</code>	<i>Does "hello" have nonzero length?</i>
<code>→ echo \$?</code>	
0	<i>Yes, it does</i>

The third way, which is also supported by some other shells, is to use a single square bracket:

<code>→ [ 10 -lt 5 ]</code>	<i>Is 10 less than 5?</i>
<code>→ echo \$?</code>	
1	<i>No, it isn't</i>
<code>→ [ -n "hello" ]</code>	<i>Does "hello" have nonzero length?</i>
<code>→ echo \$?</code>	
0	<i>Yes, it does</i>

The single square bracket is an older syntax with some odd quirks. You *must* add whitespace after the left bracket and

before the right bracket. That's because the left bracket is actually a *command* named “[”—it is an alias for test. You must therefore follow the left bracket with *individual arguments separated by whitespace*. You also must ensure that the final argument is a right square bracket, signifying the end of the test. If you mistakenly forget some whitespace:

```
→ [ 5 -lt 4]           No space between 4 and ]  
bash: [: missing '']
```

then test sees the final argument is the string “4]” and complains that the final bracket is missing.

## Conditionals

The if statement chooses between alternatives, each of which may have a complex test. The simplest form is the if-then statement:

```
if command           If exit status of command is 0  
then  
    body  
fi
```

### Style in Shell Scripts

Shell scripting keywords (if, then, fi, etc.) must be the first word on their line. That means the keyword must follow either a newline character or a semicolon (plus optional whitespace). Here are two other common layouts for an if statement. Other conditionals and loops can be styled similarly.

```
if command; then     Semicolon before then  
    body  
fi
```

```
if command; then body; fi Semicolons before then and fi
```

Here's an example script with an if statement. Try running it with and without sudo and view the results.

```

→ cat script-if
#!/bin/bash
if [ `whoami` = "root" ]
then
    echo "You are the superuser"
fi
→ ./script-if No output
→ sudo ./script-if
[sudo] password: xxxxxxxx
You are the superuser

```

Next is the if-then-else statement:

```

if command
then
    body1
else
    body2
fi

```

For example:

```

→ cat script-else
#!/bin/bash
if [ `whoami` = "root" ]
then
    echo "You are the superuser"
else
    echo "You are a mere mortal"
fi
→ ./script-else
You are a mere mortal
→ sudo ./script-else
[sudo] password: xxxxxxxx
You are the superuser

```

Finally, there's the form if-then-elif-else, which can have as many tests as you like:

```

if command1
then
    body1
elif command2
then

```



```
    body2
elif ...
:
else
    bodyN
fi
```

For example:

```
→ cat script-elif
#!/bin/bash
bribe=20000
if [ `whoami` = "root" ]
then
    echo "You are the superuser"
elif [ "$USER" = "root" ]
then
    echo "You might be the superuser"
elif [ "$bribe" -gt 10000 ]
then
    echo "You can pay to be the superuser"
else
    echo "You are still a mere mortal"
fi
→ ./script-elif
You can pay to be the superuser
```

The case statement evaluates a single value and branches to an appropriate piece of code:

```
→ cat script-case
#!/bin/bash
echo -n "What would you like to do (eat, sleep)? "
read answer
case "$answer" in
    eat)
        echo "OK, have a hamburger."
        ;;
    sleep)
        echo "Good night then."
        ;;
    *)
        echo "I'm not sure what you want to do."
```

```
    echo "I guess I'll see you tomorrow."
    ;;
esac
→ ./script-case
What would you like to do (eat, sleep)? sleep
Good night then.
```

The general form is:

```
case value in
    expr1)
        body1
        ;;
    expr2)
        body2
        ;;
    :
    exprN)
        bodyN
        ;;
    *)
        body_of_else
        ;;
esac
```

The *value* is any value, usually a variable value like `$myvar`, and *expr1* through *exprN* are patterns (run the command `info bash` for details), with the final `*` like a final “else.” Each body must be terminated by `;;` (as shown):

```
→ cat script-case2
#!/bin/bash
echo -n "Enter a letter: "
read letter
case $letter in
    X)
        echo "$letter is an X"
        ;;
    [aeiou])
        echo "$letter is a vowel"
        ;;
    [0-9])
        echo "$letter is a digit, silly"
```

```

    ;;
*)
    echo "The letter '$letter' is not supported"
    ;;
esac
./script-case2
Enter a letter: e
e is a vowel

```

## Loops

The while loop repeats a set of commands as long as a condition is true.

```

while command           While the exit status of command is 0
do
    body
done

```

For example:

```

→ cat script-while
#!/bin/bash
i=0
while [ $i -lt 3 ]
do
    echo "$i"
    i=`expr $i + 1`
done
→ ./script-while
0
1
2

```

The until loop repeats until a condition becomes true:

```

until command         While the exit status of command is nonzero
do
    body
done

```

For example:

```

→ cat script-until
#!/bin/bash
i=0
until [ $i -ge 3 ]
do
    echo "$i"
    i=`expr $i + 1`
done
→ ./script-until
0
1
2

```

Watch out for infinite loops, which use `while` with a condition that always evaluates to 0 (true) or `until` with a condition that always evaluates to a nonzero value (false):

```

i=1
while [ $i -lt 10 ]
do
    echo "forever"
done

```

*Oops: variable i never changes  
Infinite loop*

Another type of loop, the `for` loop, iterates over values from a list:

```

for variable in list
do
    body
done

```

For example:

```

→ cat script-for
#!/bin/bash
for name in Tom Jane Harry
do
    echo "$name is my friend"
done
→ ./script-for
Tom is my friend
Jane is my friend
Harry is my friend

```

The for loop is handy for processing lists of files; for example, filenames with a certain extension in the current directory:

```
→ cat script-for2
#!/bin/bash
for file in *.docx
do
    echo "$file is a stinky Microsoft Word file"
done
→ ./script-for2
letter.docx is a stinky Microsoft Word file
shopping.docx is a stinky Microsoft Word file
```

You can also generate a list of values and loop over them, using curly braces (“[Brace Expansion](#)” on page 39) or the seq command (see “[Screen Output](#)” on page 275):

```
→ cat script-seq
#!/bin/bash
for i in {1..20}      Generates the integers 1-20
do
    echo "iteration $i"
done
→ ./script-seq
iteration 1
iteration 2
iteration 3
:
iteration 20
```

## Command-Line Arguments

Shell scripts can accept command-line arguments and options just like other Linux commands. (In fact, some common Linux commands *are* scripts.) Within your shell script, refer to these arguments as \$1, \$2, \$3, and so on:

```
→ cat script-args
#!/bin/bash
echo "My name is $1 and I come from $2"

→ ./script-args Johnson Wisconsin
```

```
My name is Johnson and I come from Wisconsin
→ ./script-args Bob
My name is Bob and I come from
```

A script can test the number of arguments it received with \$#:

```
→ cat script-args2
#!/bin/bash
if [ $# -lt 2 ]
then
    echo "$0 error: you must supply two arguments"
else
    echo "My name is $1 and I come from $2"
fi
```

The special value \$0 contains the name of the script and is handy for usage and error messages:

```
→ ./script-args2 Barbara
./script-args2 error: you must supply two arguments
```

To iterate over all command-line arguments, use a for loop with the special variable \$@, which holds all arguments:

```
→ cat script-args3
#!/bin/bash
for arg in $@
do
    echo "I found the argument $arg"
done
→ ./script-args3 One Two Three
I found the argument One
I found the argument Two
I found the argument Three
```

## Exiting with an Exit Code

The `exit` command terminates your script and passes a given exit code to the shell (see “[Booleans and Exit Codes](#)” on page 314). By tradition, scripts should return 0 for success and 1 (or other nonzero value) on failure. If your script doesn’t call `exit`, its exit code will be that of the last command the script runs.

```
→ cat script-exit
#!/bin/bash
if [ $# -lt 2 ]
then
    echo "$0 error: you must supply two arguments"
    exit 1
else
    echo "My name is $1 and I come from $2"
fi
exit 0
→ ./script-exit Bob
./script-exit error: you must supply two arguments
→ echo $?
1
```

## Piping to bash

Bash is not just a shell; it's also a command, `bash`, that reads from standard input. This means you can construct commands as strings and send them to `bash` for execution:

```
→ echo wc -l myfile
wc -l myfile
→ echo wc -l myfile | bash
18 myfile
```

---

### WARNING

Piping commands into `bash` is powerful but can also be dangerous. First, make sure you know *exactly* which commands you're sending to `bash` for execution. You don't want to pipe an unexpected `rm` command to `bash` and delete a valuable file (or one thousand valuable files).

If someone asks you to retrieve text from the web (say, with the `curl` command) and pipe it to `bash`, don't do it blindly. Instead, capture the web page as a file (with `curl` or `wget`), examine it closely, and make an informed decision whether to execute it with `bash`.

---

This technique is incredibly useful. Suppose you want to download the files *photo1.jpg*, *photo2.jpg*, through *photo100.jpg* from a website. Instead of typing 100 `wget` commands by hand, construct the commands with a loop, using `seq` to construct the list of integers from 1 to 100:

```
→ for i in `seq 1 100`
do
    echo wget https://example.com/photo$i.jpg
done
wget https://example.com/photo1.jpg
wget https://example.com/photo2.jpg
:
wget https://example.com/photo100.jpg
```

Yes, you've constructed the text of 100 commands. Now pipe the output to `bash`, which runs all 100 commands as if you'd typed them by hand:

```
→ for i in `seq 1 100`
do
    echo wget https://example.com/photo$i.jpg
done | bash
```

Here's a more complex but practical application. Suppose you have a set of files you want to rename. Put the old names into a file *oldnames*, and the new names into a file *newnames*:

```
→ cat oldnames
oldname1
oldname2
oldname3
→ cat newnames
newname1
newname2
newname3
```

Now use the commands `paste` and `sed` (“[Manipulating Text in Files](#)” on page 107) to place the old and new names side by side and prepend the word “`mv`” to each line, and the output is a sequence of “`mv`” commands:



```

→ cat oldnames \
  | paste -d' ' oldnames newnames \
  | sed 's/^/mv /'
mv oldfile1 newfile1
mv oldfile2 newfile2
mv oldfile3 newfile3

```

Finally, pipe the output to bash, and the renaming takes place!

```

→ cat oldnames \
  | paste -d' ' oldnames newnames \
  | sed 's/^/mv /' \
  | bash

```

## Beyond Shell Scripting

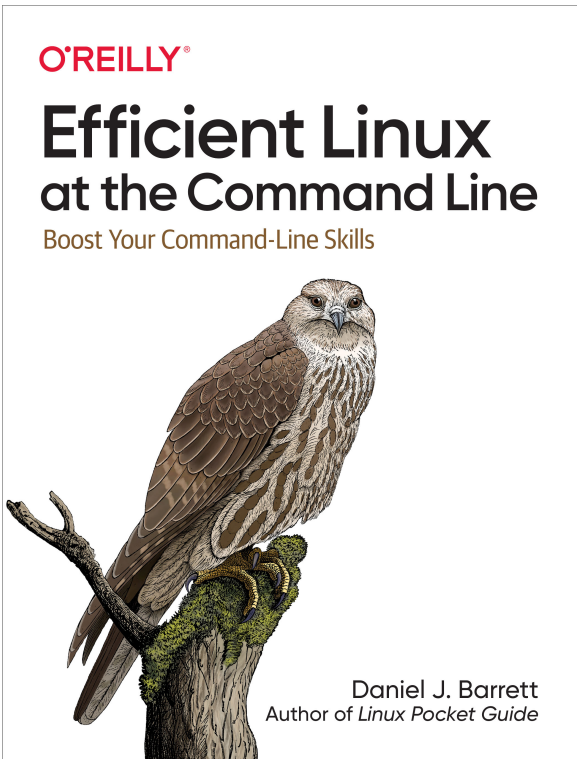
Shell scripts are fine for many purposes, but Linux comes with much more powerful scripting languages, as well as compiled programming languages. Here are a few:

Language	Program	To get started . . .
C, C++	gcc, g++	man gcc <a href="https://oreil.ly/-kuj1">https://oreil.ly/-kuj1</a>
Java	javac	<a href="https://oreil.ly/-yvQR">https://oreil.ly/-yvQR</a>
.NET	mono	man mono <a href="https://oreil.ly/lVenL">https://oreil.ly/lVenL</a>
Perl	perl	man perl <a href="https://oreil.ly/LKgDM">https://oreil.ly/LKgDM</a>
PHP	php	man php <a href="https://oreil.ly/JPmLL">https://oreil.ly/JPmLL</a>
Python	python	man python <a href="https://oreil.ly/vAunc">https://oreil.ly/vAunc</a>
Ruby	ruby	<a href="https://oreil.ly/ifm2L">https://oreil.ly/ifm2L</a>

## Final Words

Although I've covered many commands and features of Linux, there's so much more to learn. I hope you'll continue reading and exploring the capabilities of your Linux systems.

To boost your Linux skills even more, check out my follow-up book, *Efficient Linux at the Command Line*. It goes beyond the basics to make you faster and more effective with Linux, with tons of practical tips and techniques. For more information, visit [my website](#).



## Symbols

- ! (exclamation point)
  - filename pattern, 38
  - shell command history, 48
  - test command, 100
- \$ (dollar sign), variable value, 40
- \$#, argument count, 324
- \$(, expr command, 284
- \$(, command substitution, 45
- \$0, script name, 324
- \$1, script argument, 323
- \$?, exit code, 314
- \$@, all arguments, 324
- % (percent), printf formatting, 277-278
- & (ampersand), running background jobs, 51
- && (double ampersand), logical and, 44
- \* (asterisk)
  - case statement, 320
  - filename pattern, 37, 38
  - traceroute output, 256
- (dash)
  - filenames beginning with, xii
  - standard input/output, xi, 282
- (double dash), end of options, xii
- . (dot)
  - current directory, 29
  - dot files, 38
  - shell script execution, 312
- .. (dot dot)
  - brace expansion, 39
  - parent directory, 29
- / (slash)
  - directory separator, 28
  - root directory, 27
  - ZFS datasets, 236
- ; (semicolon), combined commands, 44
- :: (two semicolons), case statement, 320
- < (less than), input redirection, 43
- <(, process substitution, 46
- = (equals sign), variable assignment, 39
- > (greater than), output redirection, 44
- ? (question mark), filename pattern, 38
- [ (left square bracket)
  - alias for test command, 317

- filename pattern, 38
- [ ] (square brackets)
  - versus curly braces, 39
  - expansion on command line, 38
  - grep regular expressions, 109
  - test command, 316
- \ (backslash)
  - escaping special characters, 47
  - line continuation, *xiii*, 312
- ^ (caret)
  - control key, *xiv*, 80
  - filename pattern, 38
- `` (backquotes), 45
  - (see also command substitution)
- { } (curly braces)
  - expansion on command line, 39
  - for loops, 323
  - grep regular expressions, 110
  - shell variables, 313
  - versus square brackets, 39
- | (pipe) operator, 26, 45, 325-327
- || (double pipe), logical or, 44
- ~ (tilde), home directories, 30

## A

- abiword command, 78
- absolute path, 28, 69
- absolute permissions, 92
- addgroup command, 193
- adduser command, 189
- adminaddr file, 268
- administrator (see superuser)
- alias command, 42, 62
- alphabetical order, sorting text in, 118
- ampersand (&), running background jobs, 51
- apt command, 196, 200
- aptitude command, 196, 201
- Arch Linux, 60, 204

- arguments for commands, 24, 277
- aspell command, 159
- asterisk (\*)
  - case statement, 320
  - filename pattern, 37, 38
  - traceroute output, 256
- at command, 176-178
- atq command, 178
- atrm command, 178
- attributes of files
  - changing, 96
  - listing, 84-86, 95-96
- audio, 304-310
  - compressing, 305
  - converting, 308
  - playing, 309
  - ripping, 305
  - tags, 306-307
- awk command, 117, 125

## B

- background jobs, running, 50
- backquotes (` `), 45
  - (see also command substitution)
- backslash (\)
  - escaping special characters, 47
  - line continuation, *xiii*, 312
- backups, 241-247
- basename command, 69
- bash shell, 20, 36-59
  - aliases, 42
  - brace expansion, 39
  - built-in commands, 43
  - combining commands, 44-46
  - command history, 48
  - command-line editing, 47
  - configuring, 58
  - defining variables, 39-41
  - evaluation prevention, 46-47
  - filename completion, 49
  - identifying, 37

- input/output redirection, 43-44
  - invoking directly, 325-327
  - job control, 50-53
  - killing commands, 57
  - pattern matching, 37-39
  - printf command, 277
  - programming with shell scripts, 311
  - running as a command, 37
  - running multiple shells at once, 54-56
  - search path, 41-42
  - tailoring behavior of, 58
  - terminating, 58
  - type command, 97, 106
  - .bashrc file, 38, 42, 58, 189
  - .bash\_login file, 58
  - .bash\_logout file, 56, 58
  - .bash\_profile file, 58
  - bc command, 285-287
  - bg command, 51, 52
  - bin directory, 32
  - binary files, viewing, 77
  - block devices, 216
  - Booleans in shell scripts, 285, 314
  - /boot directory, 34
  - braces (see { })
  - broken link, 67
  - bttop command, 168
  - Btrfs, 236
  - built-in commands, 43
  - bunzip2 command, 130
  - burning CDs and DVDs, 246
  - bzcat command, 130
  - bzip2 command, 130
    - software installation and, 209
    - tar -j command and, 129
- ## C
- C and C++ languages, 327
  - ^C keystroke (killing programs), 57
  - cal command, 23, 289
  - calculator programs, 283
  - calendar printing, 289
  - caret (see ^)
  - carriage returns, 112, 117
  - case statement, 319
  - cat command, x, 72, 118
    - gzip command and, 129
    - revealing end-of-line characters, 112
    - split command and, 149
    - tee command and, 124
  - cd command, 27, 29, 30, 69
  - cdparanoia command, 305
  - CDs (compact discs)
    - burning, 246
    - ripping audio, 305
  - cgi-bin directory, 32
  - chattr command, 96
  - checksums
    - comparing, 139
    - security, 135
    - shasum command, 139
  - chgrp command, 36, 91, 193
  - chmod command, 36, 91-94
  - chown command, 36, 90
  - chronological order, reversing, 122
  - chsh command, 37, 192
  - cksum command, 135
  - clear (the screen) command, 24, 281
  - clipboard
    - copy and paste actions, 281-283
    - selections, 281
    - Wayland window system, 281
    - X window system, 281
  - clock programs, 289
  - cloning hard drives, 245
  - cloud storage providers, 243
  - cmp command, 135, 138
  - Code Industry, 152

- column command, 115
  - columns of text
    - appending, 114-115
    - creating, 115
    - extracting from files, 112-113
  - combining commands, 44-46
  - comm command, 135, 137-138
  - command history, 48
  - command mode, vim text editor, 81
  - command prompt, xii
  - command substitution, 45, 103, 170
  - command-line arguments, shell scripts, 323-324
  - command-line editing with bash, 47
  - commands
    - built-in, 43
    - combined, 44-46
    - defined, 19
    - examples to try, 22-24
    - killing, 57, 170
    - previous, 48
    - sequences of, 44
    - shell scripts, 311-324
    - simple, 25
    - structure of, 24-26
  - compact discs (see CDs)
  - comparing files, 135-140
  - completing filenames with Tab key, 49
  - compress command, 129, 131
  - compressing/uncompressing files, 127-133
  - compression ratio, ZFS, 239
  - conditional execute permission, 93
  - conditionals, shell scripts, 317-320
  - config.fish file, 58
  - configuration files, shell, 58
  - configure script, 209, 211
  - containers, 297-300
    - creating, 297
    - Docker, 297
    - executing, 299
    - Flatpak, 206
    - images and, 299
    - manipulating, 300
    - monitoring, 300
    - package management, 197
    - Snap, 208
  - convert command, 302
  - copy and paste actions, 281-283
  - cp command, 64
  - cpio command, 241
  - cron process, 178
  - crontab command, 178-180
    - .cshrc file, 58
  - csplit command, 149-151
  - CSS selectors, 143
  - csvtool command, 147-148
  - CUPS printing system, 156
  - curl command, 24, 272
    - downloading practice files, xiv
    - piping into bash, 325
    - piping into hxselect, 144
  - curly braces (see { })
  - current directory, 28, 69
  - cut command, 112-113
- ## D
- ^D keystroke (end of file), 58
    - logging out, 181
    - single-user mode, 183
    - superuser shells, 162
    - tmux command, 56
  - dangling link, 67
  - dash (see -)
  - dash shell, 58
  - dataset, ZFS, 236, 238
  - date command, 176, 290-292
  - dates and times, displaying and setting, 289-292

- dc command, 287-288
- dd command, 245-246
- deb file, 196
- Debian packages, 196
  - apt command, 200
  - aptitude command, 201
  - dpkg command, 200
- decimal places
  - bc command, 285
  - dc command, 288
- default editor, setting, 79
- defaultdomain file, 269
- /dev directory, 33
- df command, 23, 214-215
- diff command, 45, 135-137
- diff3 command, 135, 137
- dig command, 254
- directories, Linux, 27
  - changing, 69
  - comparing, 137
  - creating, 70
  - default mode for creating, 94-95
  - deleting empty, 71
  - deleting nonempty, 71
  - group ownership, 91
  - home directories, 29-30
  - kernel-related directories, 33-35
  - ownership, 90, 91
  - printing absolute path of, 69
  - printing final part of path, 69
  - printing path without final part, 70
  - protection from unauthorized users, 91-94
  - system directories, 30-33
- dirname command, 70
- disks
  - disk usage, 86-87
  - logical volume management, 229-235
  - RAID arrays, 224-229
    - using, 213-219
- disown command, 53
- disowning jobs, 50
- display command, 301
- DISPLAY environment variable, 40
- distro, 20
  - identifying, 196
  - installing software, 196
- dnf command, 196
- DNS (domain name service), querying, 253
- doc directory, 32
- Docker, 297-301
  - containers
    - copying files to/from, 300
    - creating, 299
    - deleting, 300
    - detecting changes, 300
    - killing, 299
    - listing, 298, 300
    - logs, 300
    - pausing, 299
    - processes, listing, 300
    - renaming, 300
    - restarting, 299
    - running commands in, 300
    - stopping, 299
  - Dockerfile, 297
  - images, 298-301
    - building, 298, 299
    - deleting, 300
    - downloading, 299
    - running, 298
    - searching for, 299
  - manual, 300
  - registry, 298
- docker command, 297-300
- Dockerfile, 297
- dollar sign (see \$)
- domain name service (DNS), querying, 253

- dot (see .)
- dot files, 38, 62
- double ampersand (&&), logical and, 44
- double dash (--), end of options, xii
- double pipe (||), logical or, 44
- downloading files, xiv, 273
- dpkg command, 196, 200, 201
- du command, 86-87
- dump command, 96, 241
- duplicate lines of text, 120-122
  
- E**
- e2label command, 223
- echo command, xiii, 275-276
  - built-in versus /bin/echo, 276
  - script output, 314
- EDITOR environment variable, 73, 79
- egrep command, 111
- elinks command, 271
- else statement, 318
- emacs text editor, 80
  - bash command-line editing, 47
  - creating/editing files, 78
  - flatpak command and, 206
  - lynx -emacskeys command, 272
- email, 262-269
  - directory, 33, 40
  - file format, 266
  - log file, 265
  - pipelines, 265
  - queue, 265
  - readers, 262-265
  - reading over SSH connection, 263
  - scripting, 264
  - servers, 266-269
- emerge command, 202-204
- empty files, creating, 79
- encrypting files, 133-134, 243
- enlarging filesystems, 222
- environment variables, 40
  - DISPLAY, 40
  - EDITOR, 73, 79
  - HOME, 30, 40
  - LOGNAME, 40
  - MAIL, 40
  - OLDPWD, 40
  - PATH, 40
  - printing, 188
  - PWD, 40
  - SHELL, 40
  - TERM, 40
  - USER, 40
  - VISUAL, 73, 79
- equals sign (=), variable assignment, 39
- escape characters
  - echo command, 276
  - printf command, 278
  - tr command, 117
- escaping special characters, 47
- etc directory, 32
- evaluation of special characters, preventing, 46-47
- evince command, 152
- examples, running, xiv
- Excel documents, 78
- exclamation point (see !)
- execute permission, 35, 91
- exit codes
  - defined, 314
  - exiting with, 324
  - test command, 315
- exit command, 181, 324
  - single-user mode, 183
  - terminating shells, 58
- expand command, 118
- export command, 40
- expr command, 284-285
- ext3 filesystems, 96
- ext4 filesystems, 214



extended regular expressions,  
108, 111

## F

fdisk command, 220

fetchmail command, 266

ffmpeg command, 309

fg command, 51, 53

fgrep command, 111

file command, 88

filename completion, 49

### files

attributes of, 84-97

case sensitive names, 29

changing attributes, 96

comparing, 135-140

compressing and packaging,  
127-133

converting, 141-151

copying, 64, 245

counting words, 86

creating, 78-79, 89

default mode for creating,  
94-95

deleting, 65

disk usage, 86-87

downloading, 273

encrypting, 133-134, 243

group ownership, 91

linking, 66-68

listing, 61-63

listing attributes, 84-86, 95-96

locating, 97-107

MIME type, 88

moving, 64

ownership, 35, 63, 90, 91

pattern matching, 37

PDF and PostScript files,  
152-155

permissions, 35-36, 63, 91,  
104

protecting in /etc/postfix, 268

protection from unauthorized  
users, 91-94

renaming, 64

reporting type of, 88

test arguments for, 315

text editors, 78-81

text manipulation, 107-124

timestamps, 89

transferring between  
machines, 259

viewing, 71-78

filesystems, 27-36

backups and remote storage,  
241-247

checking integrity, 218

creating and modifying,  
220-223

ext4, 214

file permissions, 35-36

fixing errors, 218

home directories, 29-30

kernel-related directories,  
33-35

logical volume management,  
229-235

RAID arrays, 224-229

system directories, 30-33

using, 213-219

ZFS, 235-241

find command, 97, 98-101, 102

### firewalls

blocking pings, 255

blocking traceroute, 256

fish shell, 58

FLAC audio file, 307

flatpak command, 206

flock command, 174

folders (see directories)

fonts directory, 32

for loops, shell scripts, 322, 324

foreground jobs, 50, 53

format specifications

- format specifications, printf, 277-278
- formatting disks, 214
- free command, 168-169
- fsck command, 183, 218-219
- fstab file
  - lvm2, 232
  - mount command, 217
  - RAID array, 226
- full name of user
  - changing, 190
  - setting, 189
- functions, bc command defining, 286

## G

- g++ command, 327
- gcc command, 327
- GECOS field, 190
- git command, 292-295
  - cloning repositories, 210, 293
  - diff format, 136
- GNOME graphical environment, 20, 22
- gnome-terminal command, 22
- GNU emacs (see emacs text editor)
- GNU Privacy Guard (GnuPG), 133
- gnnumeric command, 78
- gparted command, 220, 222
- gpg command, 133-134
- graphical desktop environment, 20, 21, 56
- graphics (see images)
- grep command, 108-109
  - egrep command and, 111
  - fgrep command and, 111
  - ps command and, 165
  - strings command and, 76
- group IDs, 185
- groupadd command, 193
- groupdel command, 194

- groupmod command, 195
- groups, 35, 192-195
  - creating, 193
  - deleting, 194
  - logical volume, 235
  - modifying, 195
  - ownership of files, 91
  - printing group membership, 193
  - updating membership, 191
  - using new membership immediately, 194
- groups command, 193
- growisofs command, 246
- gs command, 153
- gunzip command, 129
- gv command, 152
- gzip command
  - software installation and, 209
  - tar -z command and, 129
- gzip compression, 239

## H

- hangup signal, 173
- hard drive cloning, 245
- hard links, 66
- hardware platform, 250
- hash mark
  - cron comments, 179
  - superuser prompt, 162
- head command, 75
- help and tutorials, 59-60
  - help option, xii, 60, 252
- history command, 48
- home directories, 29-30
- HOME environment variable, 30, 40
- host command, 253-254
- host information, 249-252
  - local, 249
  - remote, 253
- host location, 253-256
- hostfile file, 251

hostname command, 250-251  
HTML data, extracting strings  
from, 143  
html directory, 32  
hxnormalize command, 144  
hxselect command, 143-144

## I

ICMP packets, 255  
id command, 185  
ID3 tags  
    modifying, 306  
    viewing, 306  
id3info command, 306  
id3tag command, 306  
if statement, shell scripts, 317  
ifconfig command, 252  
    (see also ip command)  
iftop command, 168  
ImageMagick, 301  
images, 301-303  
    combining, 303  
    converting, 302  
    displaying, 301  
    Docker, 299-300  
    modifying, 302  
    optical character recognition,  
    155  
include directory, 32  
index of file locations, creating,  
104  
infinite loops, 322  
info command, 59  
info directory, 32  
init.d directory, 32  
initialization files, shell, 58  
inode, 66, 85  
input redirection (<) operator, 43  
input to a shell script, 314  
input/output redirection, 43-44  
insert mode, vim text editor, 81  
installing software  
    from source code, 209-212

    package installation, 196-208  
Internet domains, looking up reg-  
istration of, 254  
ionice command, 172  
iotop command, 168  
ip command, 251-252  
ISO files, 245, 246  
itsfoss.community, 60

## J

Java language, 327  
javac command, 327  
job control in Linux shells, 50-53  
job scheduling, 175-180  
jobs command, 51  
journalctl command, 182  
jq command, 144-145  
JSON, 116, 144

## K

k3b command, 247  
Kaffeine media player, 309  
KDE graphical environment, 20,  
22  
kernel, 19  
    kernel-related directories,  
    33-35  
    name and version, 249  
key pair  
    GnuPG, 133  
    SSH, 258  
kill command, 57, 170-171  
konsole command, 22, 54  
ksh shell, 58  
    .kshrc file, 58

## L

labels, filesystem, 223  
lame command, 305  
language codes, 89  
lartc.org website, 252  
last command, 24, 187

- leading zeros, 280
- less command, x, 72-74
- lib directory, 32
- LibreOffice, 78
- line continuation character, xiii, 312
- line numbering
  - cat -n command, 72
  - nl command, 74
- linebreaks
  - converting, 112
  - grep handling of, 112
  - shell scripts, 312
  - Windows and MacOS, 112
- links, 66
  - creating, 66-68
  - hard versus symbolic, 67
  - output of ls, 63
- links web browser, 271
- Linux, 19
  - (see also commands)
  - components of, 19-20
  - defined, 19
  - help and tutorials, 59-60
  - scripting languages, 327
- linuxpocketguide directory, xiv
- linuxquestions.org website, 60
- ln command, 66-68
- load average, 166
- locate command, 97, 104-105
- lock directory, 33
- lockfile, 174
- logfiles
  - directory, 33
  - reversing, 122
- logical volume management (LVM), 229-235
  - (see also lvm2)
  - adding volumes, 232, 233
  - creating volumes, 231
  - deleting logical volumes, 234
  - deleting physical volumes, 235
  - enlarging volumes, 233
  - shrinking volumes, 234
  - viewing details, 232
  - volume groups, 234
- .login file, 58
- login shell, 162, 192
- logins/logouts, 181-184
  - changing login shell, 192
  - listing logged-in users, 186
  - logging into remote machines, 257
  - printing login names, 184
  - viewing recent, 187
- logname command, 184, 185
- LOGNAME environment variable, 40, 184
- logout command, 181
- long command lines, xiii, 312
- look command, 158
- loops, shell scripts, 321-323
- /lost+found directory, 34
- lpq command, 156, 157
- lpr command, 24, 156
- lprm command, 156, 157
- LPRng printing system, 156
- ls command, xi, 23, 61-63
  - displaying file attributes, 84
  - file permissions, 35
- lsattr command, 95-96
- lsblk command, 216, 225, 233
- lvcreate command, 229, 231, 232
- lvdisplay command, 229, 232
- lvextend command, 233
- LVM (see logical volume management; lvm2)
- lvm2
  - logical volumes, 230
  - physical volumes, 230
  - RAID combined with, 230
  - volume group, 230
- lvremove command, 229, 234
- lvresize command, 229, 234

LVs (see logical volume management; lvm2)  
lvs command, 232  
Lynx web browser, 270-271

## M

m4 macro processor, 125  
mail (see email)  
mail command, 264-265  
mail directory, 33, 40  
MAIL environment variable, 40  
mail server  
    nullmailer, 268  
    relay-only, 268  
mailq command, 265  
main.cf file, 267  
make command, 209, 211  
malicious archive file, 210  
man command, 32, 59  
man directory, 32  
masks and file permissions, 95  
master boot record (MBR), 246  
master.cf file, 267  
math commands, 283-288  
md5sum command, 135, 140  
mdadm command  
    adding disks, 228  
    creating arrays, 224  
    destroying arrays, 228  
    LVM combined with, 230  
    managing arrays, 224  
    mdadm.conf file, 226  
    removing disks, 227  
    replacing disks, 227  
    saving configuration, 226  
    viewing arrays, 225  
mdstat file, 224  
/media directory, 33  
mediainfo command, 304  
memory usage, displaying, 169  
meta key, 80, 81  
metaflac command, 307

Microsoft CAB files, extracting, 132  
Microsoft documents, editing, 78  
MIDI, 304  
MIME  
    attachments, 132  
    type detection, 88  
mimetype command, 88  
mirroring  
    RAID, 224  
    rclone, 243  
    rsync, 241  
    ZFS, 236  
mkdir command, 70  
mke2fs command, 221, 232  
mkfs commands, 221  
mkisofs command, 247  
mknfts command, 221  
mlocate command, 104  
/mnt directory, 33  
mode 0600, 268  
mogripy command, 302  
mono command, 327  
montage command, 303  
mount command, 217  
    lvm2, 232  
    RAID, 226  
mounting filesystems, 214  
MOV files, 310  
MP3 files  
    creating from WAV files, 305  
    extracting audio from MP4 files into, 310  
    ID3 tags, 306  
MP4 files, 310  
mpack command, 132  
mplayer command, 309  
mplayerhq.hu website, 309  
mtr command, 256  
munpack command, 132  
music (see audio)  
mutt command, 263-264  
mv command, 64, 326

## N

- nameserver, 253
- nano text editor, 80
- nc command, 261
- .NET, 327
- netcat command, 261-262
- network interface, viewing, 251
- networking, 249-274
  - email, 262-265
  - email servers, 266-269
  - host information, 249-252
  - host location, 253-256
  - network connections, 257-262
  - web browsing, 270-274
- newgrp command, 194
- nice command, 172
- nixcraft.com website, 60
- nl command, 72, 74
- nohup command, 173
- NOT AND binary operation, 95
- nslookup command, 254
- NTFS filesystems, 214
- Nullmailer, 268-269
- nullmailer-send command, 269

## O

- OCR (optical character recognition), 155
- ocrmypdf command, 155
- octal permissions, 92
- ocular command, 152
- od command, x, 77-78, 118
- Ogg Vorbis audio file, 307
- ogginfo command, 307
- OLDPWD environment variable, 40
- openSUSE Linux, 205
- OpenZFS Documentation, 236
- operating system
  - directories, 33
  - printing name of, 250
- optical character recognition (OCR), 155

- options for commands, 24
- other (user group), 35
- output from shell scripts, 314
- output redirection (>) operator, 44
- ownership of files, 35, 63

## P

- package management, 196-208
  - apt, 200
  - aptitude, 201
  - container-based, 197
  - dnf, 197
  - dpkg, 200
  - emerge, 202-204
  - flatpak, 206
  - pacman, 204
  - Portage, 202
  - rpm, 199
  - snap, 208
  - yum, 198
  - zypper, 205
- pacman command, 204
- paging keystrokes, 73
- pandoc command, 141-142
- parentheses, 284
- parted command, 220
- partition table, saving, 220
- partitioning a disk, 213, 220
- passwd command, 191
- passwords
  - changing, 191
  - root, 162
- paste command, 114-115, 326
- patch command, 136
- path
  - filesystem, 28
  - printing absolute directory path, 69
  - printing final part, 69
  - search, 41-42
- PATH environment variable, 40, 41

- pattern matching (wildcards), 37-39, 99
- pattern-matching engines, 125
- PDF files, 152-155
  - converting from images, 302
  - converting from markdown, 142
  - converting to PostScript, 155
  - displaying, 152
  - extracting attachments into files, 132
  - manipulating, 154
  - optical character recognition, 155
  - splitting, 153
  - text extraction, 152-153
- pdf2ps command, 155
- pdfseparate command, 153
- pdftk command, 154
- pdftotext command, 152
- Perl, 126, 327
- permissions, file, 35-36, 63, 91, 104
- pgrep command, 165-166, 170
- photos (see images)
- PHP, 126, 327
- physical volumes (PVs), 230
  - (see also lvm2)
- PID (see process ID)
- pidof command, 165
- ping command, 255
- pipe (|) operator, 26, 45, 325-327
- pkill command, 170
- plocate command, 104
- pool, ZFS, 236
- Portage package manager, 202
- postfix command, 267
- Postfix mail server, 266-268
- postfix-files file, 267
- postfix.org website, 268
- PostScript files, 152-155
  - converting to PDF, 155
  - displaying, 152
  - text extraction, 153
- Powerpoint documents, 78
- practice files, downloading, xiv
- prefix option, 211
- printenv command, 178, 188
- printf command, 277-278, 314
- printf option (find command), 101
- printing, 156-157
- private key
  - GnuPG, 133
  - SSH, 258
- /proc directory, 34
- process ID, 163, 165
- process substitution, 45-46
- processes
  - controlling, 169-175
  - killing, 170-171
    - by name, 170
    - by PID, 170
  - shell jobs versus, 163
  - signaling, 170
  - viewing, 163-169
- processor type, 250
- procmail command, 266
- .profile file, 58
- prompt, xii
- ps command, 164-165, 170
- ps2ascii command, 153
- ps2pdf command, 155
- public key
  - GnuPG, 133
  - SSH, 258
- public\_html directory, 32
- pvcreate command, 229, 231, 233
- pvdisplay command, 229, 230, 232
- pvremove command, 229, 235
- PVs (physical volumes), 230
  - (see also lvm2)
- pvs command, 229, 231, 232
- pwd command, 27, 69
- PWD environment variable, 40

Python, 126, 327

## Q

question mark (?), filename pattern, 38

quoting

on command line, 47

in shell scripts, 313

## R

RAID arrays, 224-229

(see also mdadm)

creating, 224-226

destroying, 228

drive failure, 227

mounting, 224, 226

replacing devices in, 227-228

RAID level, 224

rc.d directory, 32

rclone command, 243-244

read command, 314

read permission, 35, 91

readlink command, 68

real name of user

changing, 190

setting, 189

reboot command, 183

rebooting, hostname command and, 251

redirecting input/output, 43-44

regular expressions

awk command, 125

csplit command, 149

egrep command, 111

find -regex command, 99

grep command, 108, 109

less command, 73

line numbering with nl, 74

locate -r command, 105

pgrep command, 165

relative path, 28

relative permissions, 92

relay-only mail server, 268

remote machines

file transfers, 259, 260

hostname lookup, 253

logging in with ssh, 257

sending ICMP packets to, 255

traceroute command, 255

remote storage, 241-247

remotes file, 269

renice command, 173

reset command, 57

reset-lpg script, xiv, 311

resize2fs command, 222-223, 233

REST APIs, testing, 272

restore command, 241

resuming jobs, 50, 53

return codes of commands, 314, 324

reverse Polish notation (RPN), 287

revision IDs, 294, 297

ripping CD tracks, 305

rm command, 65, 325

rmdir command, 71

root directory (/), 27, 29

root password, 162

root user, 26, 161

(see also superuser)

rpm command, 196, 199

rpm file, 196

RPM packages, 196

dnf command, 197

rpm command, 199

yum command, 198

zypper command, 205

RPN (reverse Polish notation), 287

rsnapshot command, 242

rsync command, 174, 241-243

Ruby, 126, 327

run directory, 33



## S

- sasl\_passwd file, 267
- sbin directory, 32
- scheduled jobs, running
  - at command, 176
  - crontab command, 178
- scp command, 259
- screen command, 54, 281
- screen output, 275-281
- sdiff command, 135, 137
- search path, 41-42
- secure shell program, 257
- sed command, 117, 125, 326
- selections (clipboard), 281
- semicolon (;), combined commands, 44
- seq command, 279-281, 323
- .service suffix, 182
- setgid, 93
- setting dates and times, 289-292
- setuid, 93
- 7z (7-Zip) command, 132
- sfdisk command, 220
- sftp command, 260
- sgdisk command, 228
- share directory, 32
- shasum command, 135, 139-140
- shell, xii, 20
  - (see also bash shell)
  - changing login shell, 192
  - history-related commands, 48
  - identifying, 37
  - job control, 50-53
  - launching, 21
  - versus program, 43
  - prompt, xii
  - running multiple shells at once, 54-56
  - suspending, 52
  - tailoring behavior of, 58
  - versus terminal, 22
  - terminating, 58
  - window, 21
- SHELL environment variable, 40
- shell scripts, 311-324
  - Booleans, 314
  - command-line arguments, 323-324
  - conditionals, 317-320
  - creating, 311-312
  - exit codes, 314, 324
  - input/output, 314-314
  - linebreaks, 312
  - loops, 321-323
  - piping to bash, 325-327
  - running, 311-312
  - test command, 315-317
  - variables, 313
  - whitespace, 312
  - writing, 311
- shrinking filesystems, 222
- shuf command, 122-124
- shutdown command, 182-183
- signals, 171
- simple command, 25
- single-user mode, 183
- slash (see /)
- sleep command, 171, 175
- slocate command, 104
- snap command, 208
- snapshots, ZFS, 240
- soft links, 67
- software
  - installing from source code, 209-212
  - package installation, 196-208
- sort command, 118-120
- sorting key, 119
- sound (see audio)
- source command, 312
- sox command, 308
- spaces, converting to tabs, 118
- SpamAssassin, 266
- special characters, escaping, 47
- spell command, 159
- spelling checkers, 158-159

- split command, 148-149
- spool directory, 33
- square brackets (see [ ])
- src directory, 32
- ssh command, 21, 242, 257-258
- ssh-copy-id command, 258
- ssh-keygen command, 258
- Stack Exchange, 60
- stack-based calculator, 287
- staging, 293
- standard error (stderr), 43
- standard input (stdin), xi, 43
- standard output (stdout), xi, 43, 275
- startup files, shell, 58
- stat command, 84-86
- storage devices
  - erasing, 221
  - exporting partition tables of, 220
  - listing all, 216
  - listing partitions of, 220
  - replacing failed devices, 228
- strings command, 76
- striping disks, 236
- su command, 162, 163
- subdirectories, Linux, 27
- subprocess, 40
- Subversion, 295
  - (see also svn command)
- sudo command, 26
  - becoming superuser, 161
  - versus su command, 163
  - whoami command and, 185
- sum command, 135
- superuser, 26
  - becoming, 161-163
  - useradd command, 189
- suspend command, 52
- suspending jobs, 50
- svn command, 295-297
- symbolic links, 67
- sync command, 96
- /sys directory, 34
- system administration, 161-212
  - becoming superuser, 161-163
  - controlling processes, 169-175
  - group management, 192-195
  - installing software from
    - source code, 209-212
  - installing software packages, 196-208
  - logins/logouts and shut-downs, 181-184
  - scheduling jobs, 175-180
  - user account management, 188-192
  - users and user environment, 184-188
  - viewing processes, 163-169
- system directories, 30-33
  - directory path application, 33
  - directory path categories, 31-33
  - directory path scope, 31
- system load, 166
- systemctl command, 181-182
- systemd service manager, 181

## T

- Tab key, completing filenames with, 49
- table formatting, 115
- tabs, converting to spaces, 118
- tac command, 122
- tail command, 75-76
- tar command, 128-129
  - extracting practice files, xiv
  - software installation and, 209
- tar files, 209
  - bzipped, 130
  - compressed, 131
  - gzipped, 130
- tarball, 209
- tcsh shell, 58
- .tcshrc file, 58

- tee command, 124
- telnet, 262
- TERM environment variable, 40
- terminal device names, printing, 187
- terminal program, 21-22
- terminating shells, 58
- tesseract command, 156
- test command, 315-317
- text manipulation commands, 107-124
- text-based email programs, 262
- tilde (~), home directories, 30
- time, displaying and setting, 289-292
- timeout command, 171
- timestamps of files
  - listing, 85
  - modifying, 89
  - printing, 63
- tmp directory, 33
- tmux command, 54, 281
- top command, 23, 167-168
- touch command, 79, 89
- tr command, 116-117
- traceroute command, 255-256
- translating characters, 116-117
- tree, 27
- trunk (subversion branch), 296
- tty command, 187
- tutorials, 59-60
  - emacs, 80
  - Linux help, 59
  - vim editor, 81
- type command, 41, 43, 97, 106
- types of files, reporting, 88

## U

- umount command, 218
- unalias command, 62
- uname command, 34, 249-250
- uncompress command, 131
- unexpand command, 118

- uniq command, 120-122
- unix.stackexchange.org website, 60
- unmask command, 94-95
- until loops, shell scripts, 321-322
- unzip command, 131
- update-initramfs command, 226
- updatedb command, 104
- uptime command, 34, 166
- USER environment variable, 40
- useradd command, 189
- userdel command, 190
- usermod command, 190-191
- users, 26, 184-192
  - (see also superuser)
  - administrator, 26
  - creating accounts, 189
  - deleting, 190
  - effective username, printing, 185
  - environment variables, related, 188
  - group membership, printing, 193
  - login names, printing, 184
  - login times, listing, 187
  - logins, active, 186
  - password changes, 191
  - protecting files from unauthorized, 91-94
  - user IDs, printing, 185
- users command, 186
- /usr/share/doc directory, 59
- uxterm command, 22

## V

- /var directory, 33
- variables
  - defining, 39-41
  - in shell scripts, 313
- vdev, ZFS, 235
- version control, 292-297
- VG (see volume group)

- vgcreate command, 229, 230, 231
- vgdisplay command, 229, 232
- vgextend command, 229, 233
- vgreduce command, 229, 234
- vgremove command, 229, 234
- vgs command, 232
- vi (see vim text editor)
- video, 309-310
- viewing
  - files, 71-78
  - images, 301
  - processes, 163
  - videos, 309
- vim text editor, 78, 81
  - bash command-line editing, 47
  - less command, 73
  - lynx -vikeys command, 272
  - sed and, 125
- VISUAL environment variable, 73, 79
- VLC media player, 309
- volume group, 230
  - (see also lvm2)

## W

- w command, 167
- w3m command, 271
- watch command, 176
- Wayland window system, 20, 281
- wc command, 23, 24, 86
- web browsing, 270
  - automation, 273
  - retrieving pages via command line, 273
  - text-based, 270
- wget command, 271, 273-274, 325
- whereis command, 98, 106
- which command, 41, 97, 105
- while loops, shell scripts, 321-322
- whitespace
  - arguments separated by, 284
  - linebreaks, 112

- programming with shell scripts, 312
- quoting on command line, 47
- square brackets (test command), 316
  - xargs command and, 102
- who command, 105, 186
- whoami command, 162, 185
- whois command, 24, 254
- wildcards (pattern matching), 37-39, 99
- windows (shell), opening, 21
- wl-copy command, 281
- wl-paste command, 281
- Word documents, 78
- working directory (see current directory)
- world (user group), 35
- write permission, 35, 91
- www directory, 32

## X

- X window system, 20
  - clipboard commands, 281
  - DISPLAY variable, 40
  - X11 directory, 32
- xargs command, 101-103
  - command substitution, comparison to, 103
  - find command and, 102
  - null-separated lines, 101
- xclip command, 282
- xine video player, 309
- xmllint command, 145-147
- XPath expression, 146
- xsel command, 283
- xterm command, 22

## Y

- yes command, 279
- yum command, 196, 198

## Z

- `^Z` keystroke (suspending jobs),  
51
- `zcat` command, 129, 131
- `zcmp` command, 127
- `zdiff` command, 127
- zeros, leading, 280
- ZFS (Zettabyte File System),  
235-241
  - creating datasets, 238
  - creating encrypted datasets,  
239
  - creating pools, 237-238
  - destroying datasets, 240
  - destroying pools, 241
  - destroying snapshots, 240
  - enabling compression, 239
  - setting size limits on datasets,  
239
  - snapshotting datasets, 240
- `zfs` command, 235
- `zfs destroy` command, 240
- `zgrep` command, 127
- `zip` command, 131, 209
- `zless` command, 127
  - `.zlogin` file, 58
  - `.zlogout` file, 58
- `zpool` command, 235, 237
  - `.zprofile` file, 58
  - `.zshenv` file, 58
  - `.zshrc` file, 58
- `zstd` command, 204
- `zypper` command, 196, 205

## About the Author

---

**Daniel J. Barrett** has been teaching and writing about Linux and related technologies for more than 30 years. His numerous O'Reilly books include *Efficient Linux at the Command Line*; *Linux Pocket Guide*; *SSH, The Secure Shell: The Definitive Guide*; *Linux Security Cookbook*; *Macintosh Terminal Pocket Guide*; and *MediaWiki*. Dan has also been a software engineer, heavy metal singer, system administrator, university lecturer, web designer, and humorist. He works at Google. Visit [DanielJBarrett.com](http://DanielJBarrett.com) to learn more.

## Colophon

---

The animal on the cover of *Linux Pocket Guide* is a *Belgian horse*. The first breeding of these gentle giants was recorded in the 17th century, with the creation of the first studbook in 1886. These horses are descendants of the Great Horse of medieval times. They were developed for industrial and farm work and hauling. They have a gentle, cooperative temperament, are willing to work, easy to handle, and rarely spook. They are also adaptable to a wide range of environments.

Belgian horses have a small head compared to the size of their body. They have a compact, short body with a broad chest and a wide back. They have a straight profile with kind eyes and a thick neck, which is particularly thick on stallions. Their legs are feathered around their medium-sized hooves. They stand between 16 and 18 hands, with males being taller than females. They reach their full size around five years of age and can weigh between 1,800 and 2,200 pounds.

While their predecessors may be extinct, Belgian horses are a very popular breed of draft horse and are not at risk of extinction. Many of the animals on O'Reilly covers are endangered; all of them are important to the world.

The cover image is a color illustration by Kate Montgomery, based on an antique line engraving from Wood's *Animate Creation*. The series design is by Edie Freedman, Ellie Volckhausen, and Karen Montgomery. The cover fonts are URW Typewriter and Guardian Sans. The text font is Adobe Minion Pro; the heading font is Adobe Myriad Condensed; and the code font is Dalton Maag's Ubuntu Mono.

O'REILLY®

**Learn from experts.  
Become one yourself.**

Books | Live online courses  
Instant answers | Virtual events  
Videos | Interactive learning

Get started at [oreilly.com](https://oreilly.com).